
REPLACEMENT PARTS MANUAL

Wall Mount Heat Pump

Models:

| | | |
|---------|---------|---------|
| W42HC-A | W48HC-A | W60HC-A |
| W42HC-B | W48HC-B | W60HC-B |
| W42HC-C | W48HC-C | W60HC-C |
| W42HCDA | W48HCDA | W60HCDA |
| W42HCDB | W48HCDB | W60HCDB |
| W42HCDC | W48HCDC | W60HCDC |

Contents

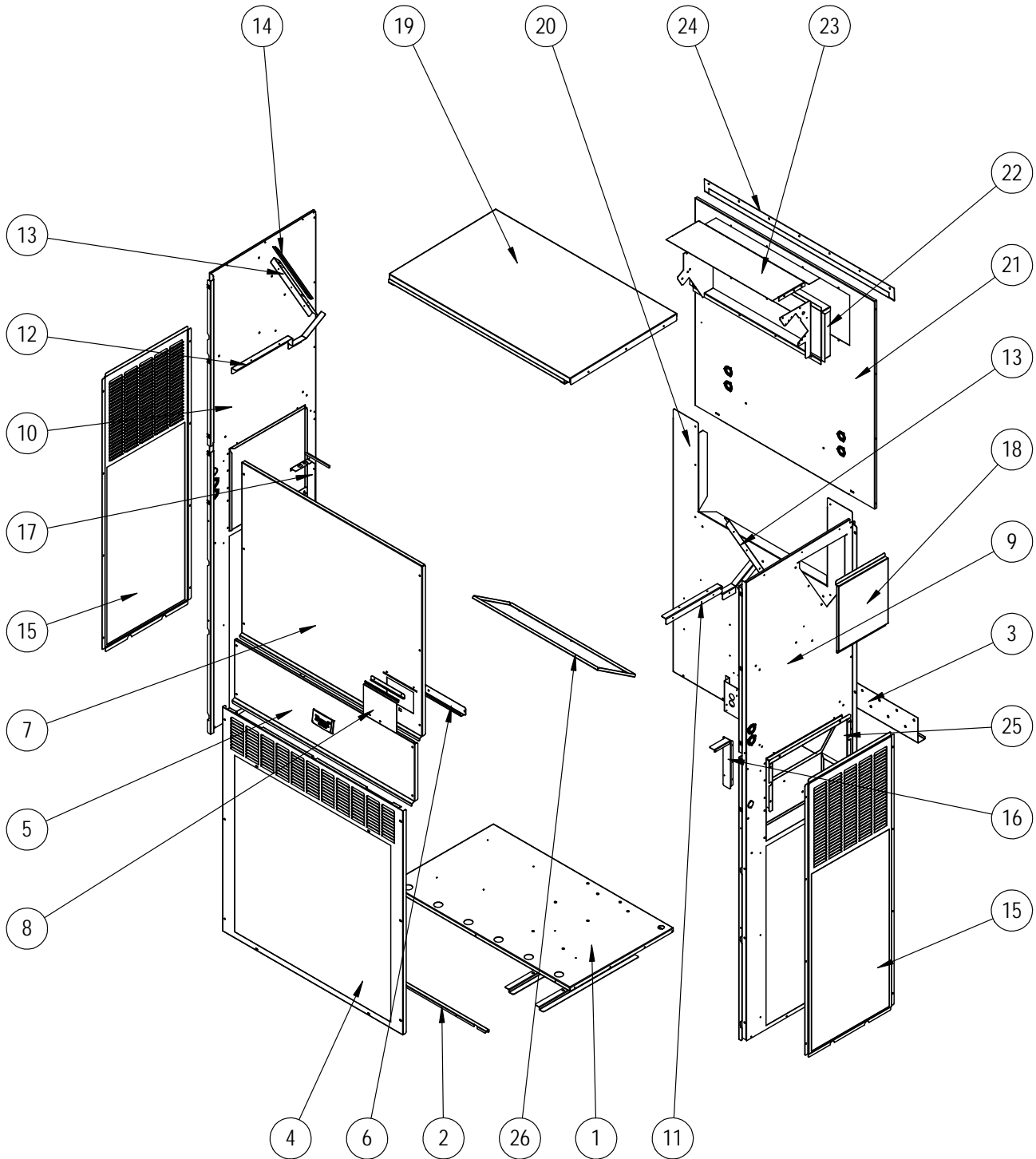
| Description | Page | Description | Page |
|---|------|--|------|
| External Parts – Standard & Dehum. | | Control Panel – Standard & Dehum. | |
| ♦ Exploded View | 2 | ♦ Layout View | 14 |
| ♦ Usage List | 3 | ♦ Usage List | 15 |
| ♦ Usage List | 4 | Blower Assembly | |
| Internal Parts – Standard & Dehum. | | ♦ Exploded View | 16 |
| ♦ Exploded View | 6 | ♦ Usage List | 16 |
| ♦ Usage List | 7 | | |
| ♦ Usage List | 8 | General Notes | |
| Functional Components – Standard & Dehum. | | ➤ Revised and/or additional pages may be issued from time to time. | |
| ♦ Exploded View | 10 | ➤ A complete and current manual consists of pages shown in the following contents section. | |
| ♦ Usage List | 11 | | |
| ♦ Usage List | 12 | Important | |
| EEV Controller Assembly | | ➤ Contact the installing and/or local Bard distributor for all parts requirements. Make sure to have the complete model and serial number available from the unit rating plates. | |
| ♦ Exploded View | 13 | | |
| ♦ Usage List | 13 | | |



Bard Manufacturing Company, Inc.
Bryan, Ohio 43506
www.bardhvac.com

Manual: 2110-1553C
Supersedes: 2110-1553B
Date: 9-29-20

EXTERNAL PARTS – STANDARD & DEHUMIDIFICATION



SEXP-932

This drawing to be used for reference for pages 3 and 4

EXTERNAL PARTS – STANDARD & DEHUMIDIFICATION

| Dwg No. | Part Number | Description | W42HC-A, B, C | W42HBDA, B, C | W48HC-A, B, C | W48HBDA, B, C |
|---------|---------------|-----------------------------|---------------|---------------|---------------|---------------|
| 1 | S127-574 | Unit Base | X | X | X | X |
| 1 | S127-584 ③ | Unit Base | 0 | 0 | 0 | 0 |
| 2 | 113-762 | Front Base Bracket | X | X | X | X |
| 2 | 113-797 ③ | Front Base Bracket | 0 | 0 | 0 | 0 |
| 3 | 113-140 | Bottom Mounting Bracket | X | X | X | X |
| 4 | 119-125-* ① | Front Grille | X | X | X | X |
| 4 | 119-148 ② | Front Grille | 0 | 0 | 0 | 0 |
| 4 | 119-135 ③ | Front Grille | 0 | 0 | 0 | 0 |
| 5 | S533-301-* ① | Control Panel Cover (Outer) | X | X | X | X |
| 5 | S533-309 ② | Control Panel Cover (Outer) | 0 | 0 | 0 | 0 |
| 5 | S533-310 ③ | Control Panel Cover (Outer) | 0 | 0 | 0 | 0 |
| 6 | S165-608-* ① | Rain Channel | X | X | X | X |
| 6 | S165-609 ② | Rain Channel | 0 | 0 | 0 | 0 |
| 6 | S165-610 ③ | Rain Channel | 0 | 0 | 0 | 0 |
| 7 | S515-323-* ① | Upper Front | X | X | X | X |
| 7 | S515-328 ② | Upper Front | 0 | 0 | 0 | 0 |
| 7 | S515-330 ③ | Upper Front | 0 | 0 | 0 | 0 |
| 8 | 153-717-* ① | Disconnect Access Door | X | X | X | X |
| 8 | 153-723 ② | Disconnect Access Door | 0 | 0 | 0 | 0 |
| 8 | 153-724 ③ | Disconnect Access Door | 0 | 0 | 0 | 0 |
| 9 | S501-1053-* ① | Right Side | X | X | X | X |
| 9 | S501-1072 ② | Right Side | 0 | 0 | 0 | 0 |
| 9 | S501-1076 ③ | Right Side | 0 | 0 | 0 | 0 |
| 10 | 501-1054-* ① | Left Side | X | X | X | X |
| 10 | 501-1073 ② | Left Side | 0 | 0 | 0 | 0 |
| 10 | 501-1077 ③ | Left Side | 0 | 0 | 0 | 0 |
| 11 | 105X1454 | Right Support Angle | X | X | X | X |
| 12 | 105Y1454 | Left Support Angle | X | X | X | X |
| 13 | 105-1457 | Coil Support | 2 | 2 | 2 | 2 |
| 14 | 147-055 | Coil Support Offset | X | X | X | X |
| 15 | 119-126-* ① | Side Grille | 2 | 2 | 2 | 2 |
| 15 | 119-142 ② | Side Grille | 2 | 2 | 2 | 2 |
| 15 | 119-136 ③ | Side Grille | 2 | 2 | 2 | 2 |
| 16 | 105-1450 | Right Control Panel Angle | X | X | X | X |
| 17 | 105-1451 | Left Control Panel Angle | X | X | X | X |
| 18 | S543-221-* ① | Heater Access Cover | X | X | X | X |
| 18 | S543-228 ② | Heater Access Cover | 0 | 0 | 0 | 0 |
| 18 | S543-229 ③ | Heater Access Cover | 0 | 0 | 0 | 0 |
| 19 | 507-382-* ① | Top | X | X | X | X |
| 19 | 507-391 ② | Top | 0 | 0 | 0 | 0 |
| 19 | 507-392 ③ | Top | 0 | 0 | 0 | 0 |
| 20 | 109-412 | Lower Back | X | X | X | X |
| 20 | 109-418 ② | Lower Back | 0 | 0 | 0 | 0 |
| 20 | 109-422 ③ | Lower Back | 0 | 0 | 0 | 0 |
| 21 | S509-411 | Upper Back | X | X | X | X |
| 21 | S509-417 ② | Upper Back | 0 | 0 | 0 | 0 |
| 21 | S509-421 ③ | Upper Back | 0 | 0 | 0 | 0 |
| 22 | S111-299 | Outlet Air Frame Assembly | X | X | X | X |
| 23 | 535-129 | Heat Shield | X | X | X | X |
| 24 | 113-150-* ① | Top Rain Flashing | X | X | X | X |
| 24 | 113-150-4 ② | Top Rain Flashing | 0 | 0 | 0 | 0 |
| 24 | 113-359 ③ | Top Rain Flashing | 0 | 0 | 0 | 0 |
| 25 | 539-406 | Fresh Air Damper Assembly | X | X | X | X |
| 25 | 543-222 | Intake Blank Off Plate | 0 | 0 | 0 | 0 |
| 26 | 543-220 | Exhaust Blank Off Plate | X | X | X | X |

- ① Exterior cabinet parts are manufactured with various paint color options. To ensure the proper paint color is received, include the complete model and serial number of the unit for which cabinet parts are being ordered.
- ② Exterior cabinet parts are manufactured from aluminum Code "A" (#24 - Top rain flashing not available in aluminum; order 113-150-4 (Buckeye Gray).
- ③ Exterior cabinet parts are manufactured from stainless steel Code "S"

X – Standard Component
O – Optional Component

EXTERNAL PARTS – STANDARD & DEHUMIDIFICATION

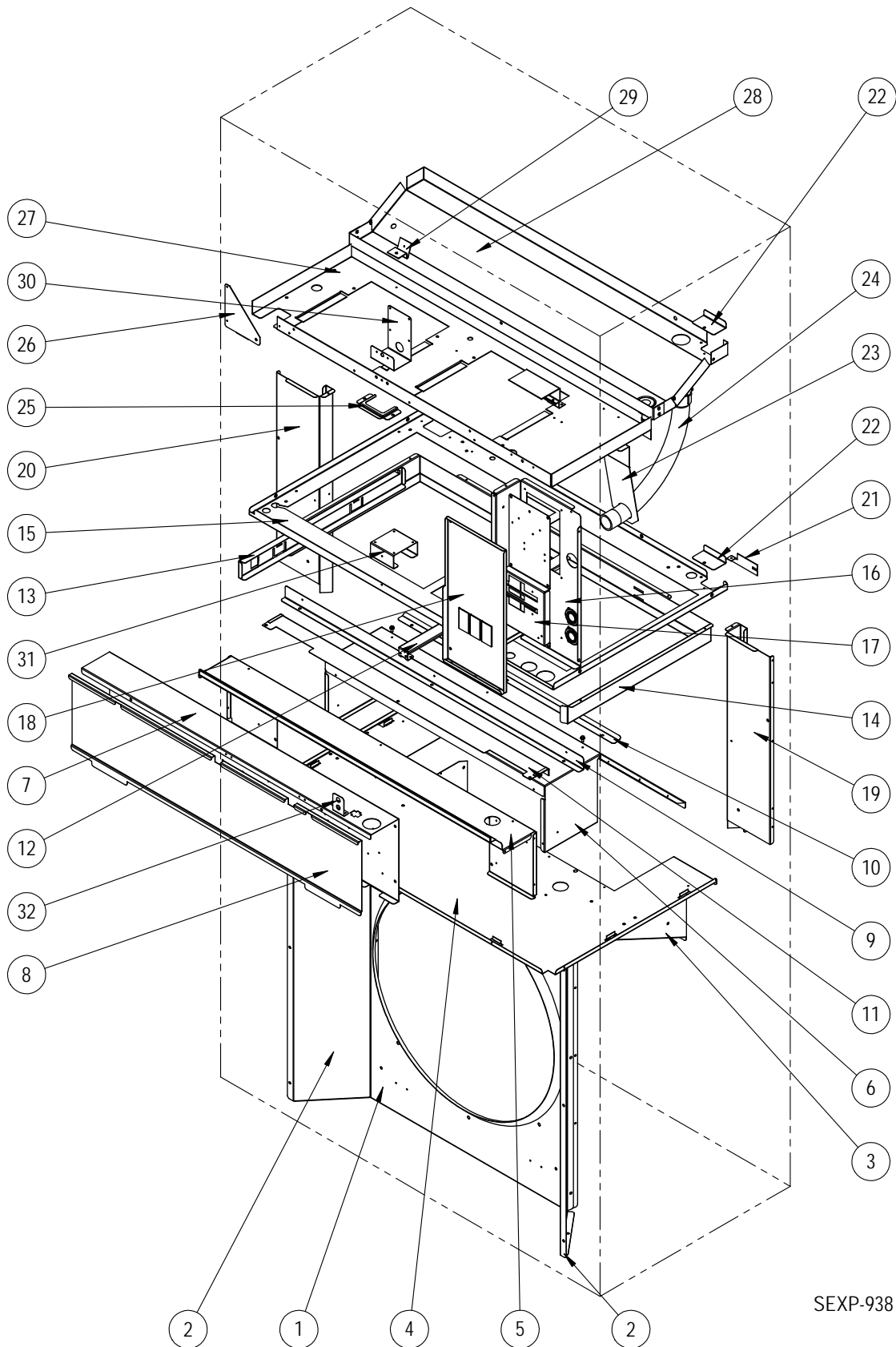
| Dwg No. | Part Number | Description | W60HC-A, B, C | W60HBDA, B, C |
|---------|---------------|-----------------------------|---------------|---------------|
| 1 | S127-574 | Unit Base | X | X |
| 1 | S127-584 ③ | Unit Base | O | O |
| 2 | 113-762 | Front Base Bracket | X | X |
| 2 | 113-797 ③ | Front Base Bracket | O | O |
| 3 | 113-140 | Bottom Mounting Bracket | X | X |
| 4 | 119-127-* ① | Front Grille | X | X |
| 4 | 119-149 ② | Front Grille | O | O |
| 4 | 119-137 ③ | Front Grille | O | O |
| 5 | S533-301-* ① | Control Panel Cover (Outer) | X | X |
| 5 | S533-309 ② | Control Panel Cover (Outer) | O | O |
| 5 | S533-310 ③ | Control Panel Cover (Outer) | O | O |
| 6 | S165-608-* ① | Rain Channel | X | X |
| 6 | S165-609 ② | Rain Channel | O | O |
| 6 | S165-610 ③ | Rain Channel | O | O |
| 7 | S515-324-* ① | Upper Front | X | X |
| 7 | S515-329 ② | Upper Front | O | O |
| 7 | S515-331 ③ | Upper Front | O | O |
| 8 | 153-717-* ① | Disconnect Access Door | X | X |
| 8 | 153-723 ② | Disconnect Access Door | O | O |
| 8 | 153-724 ③ | Disconnect Access Door | O | O |
| 9 | S501-1055-* ① | Right Side | X | X |
| 9 | S501-1074 ② | Right Side | O | O |
| 9 | S501-1078 ③ | Right Side | O | O |
| 10 | 501-1056-* ① | Left Side | X | X |
| 10 | 501-1075 ② | Left Side | O | O |
| 10 | 501-1079 ③ | Left Side | O | O |
| 11 | 105X1454 | Right Support Angle | X | X |
| 12 | 105Y1454 | Left Support Angle | X | X |
| 13 | 105-1455 | Coil Support | 2 | 2 |
| 14 | 147-054 | Coil Support Offset | X | X |
| 15 | 119-128-* ① | Side Grille | 2 | 2 |
| 15 | 119-143 ② | Side Grille | 2 | 2 |
| 15 | 119-138 ③ | Side Grille | 2 | 2 |
| 16 | 105-1450 | Right Control Panel Angle | X | X |
| 17 | 105-1451 | Left Control Panel Angle | X | X |
| 18 | S543-221-* ① | Heater Access Cover | X | X |
| 18 | S543-228 ② | Heater Access Cover | O | O |
| 18 | S543-229 ③ | Heater Access Cover | O | O |
| 19 | 507-382-* ① | Top | X | X |
| 19 | 507-391 ② | Top | O | O |
| 19 | 507-392 ③ | Top | O | O |
| 20 | 109-414 | Lower Back | X | X |
| 20 | 109-420 ② | Lower Back | O | O |
| 20 | 109-424 ③ | Lower Back | O | O |
| 21 | S509-413 | Upper Back | X | X |
| 21 | S509-419 ② | Upper Back | O | O |
| 21 | S509-423 ③ | Upper Back | O | O |
| 22 | S111-299 | Outlet Air Frame Assembly | X | X |
| 23 | 535-129 | Heat Shield | X | X |
| 24 | 113-150-* ① | Top Rain Flashing | X | X |
| 24 | 113-150-4 ② | Top Rain Flashing | O | O |
| 24 | 113-359 ③ | Top Rain Flashing | O | O |
| 25 | 539-406 | Fresh Air Damper Assembly | X | X |
| 25 | 543-222 | Intake Blank Off Plate | O | O |
| 26 | 543-220 | Exhaust Blank Off Plate | X | X |

- ① Exterior cabinet parts are manufactured with various paint color options. To ensure the proper paint color is received, include the complete model and serial number of the unit for which cabinet parts are being ordered.
- ② Exterior cabinet parts are manufactured from aluminum Code "A" (#24 - Top rain flashing not available in aluminum; order 113-150-4 (Buckeye Gray).
- ③ Exterior cabinet parts are manufactured from stainless steel Code "S"
- X – Standard Component
O – Optional Component

Refer to drawing on page 2

This page intentionally left blank

INTERNAL PARTS – STANDARD & DEHUMIDIFICATION



SEXP-938

This drawing to be used for reference for pages 7 and 8

INTERNAL PARTS – STANDARD & DEHUMIDIFICATION

| Dwg No. | Part Number | Description | W42HC-A, B | W42HC-C | W42HBDA, B | W42HBDC | W48HC-A, B | W48HC-C | W48HBDA, B | W48HBDC |
|---------|---------------------|--|------------|---------|------------|---------|------------|---------|------------|---------|
| 1 | 125-089 | Fan Shroud | X | X | X | X | X | X | X | X |
| 1 | 125-093 ① | Fan Shroud | 0 | 0 | 0 | 0 | 0 | 0 | 0 | 0 |
| 2 | S125-090 | Fan Shroud Side Access Cover | 2 | 2 | 2 | 2 | 2 | 2 | 2 | 2 |
| 2 | S125-094 ① | Fan Shroud Side Access Cover | 2 | 2 | 2 | 2 | 2 | 2 | 2 | 2 |
| 3 | 121-586 | Condenser Partition Insert | X | X | X | X | X | X | X | X |
| 3 | 121-600 ① | Condenser Partition Insert | 0 | 0 | 0 | 0 | 0 | 0 | 0 | 0 |
| 4 | 121-585 | Condenser Partition | X | X | X | X | X | X | X | X |
| 4 | 121-599 ① | Condenser Partition | 0 | 0 | 0 | 0 | 0 | 0 | 0 | 0 |
| 5 | 521-630 | Front Exhaust Partition | X | X | X | X | X | X | X | X |
| 6 | 521-587 | Exhaust Partition | X | X | X | X | X | X | X | X |
| 7 | Control Panel Assy. | See Control Panel Assy. Drawing & Parts List | X | X | X | X | X | X | X | X |
| 8 | S133-330 | Control Panel Cover (Inner) | X | X | X | X | X | X | X | X |
| 9 | 105-1453 | Front Vent Guide Rail | X | X | X | X | X | X | X | X |
| 10 | 105-1452 | Vent Guide Rail | X | X | X | X | X | X | X | X |
| 11 | S135-409 | Field Wire Shield | X | X | X | X | X | X | X | X |
| 12 | 131-168 | Filter Support Bracket | 2 | 2 | 2 | 2 | 2 | 2 | 2 | 2 |
| 13 | 131-170 | Filter Slide | X | X | X | X | X | X | X | X |
| 14 | 131-169 | Filter Rack Frame | X | X | X | X | X | X | X | X |
| 15 | 121-583 | Filter Partition | X | X | X | X | X | X | X | X |
| 16 | 117-412 | Upper Control Panel | X | X | X | X | X | X | X | X |
| 17 | 127-575 | Circuit Breaker Base | X | | X | | X | | X | |
| 17 | 127-585 | Circuit Breaker Base - 460V | | X | | X | | X | | X |
| 18 | S133-303 | Upper Control Panel Cover | X | | X | | X | | X | |
| 18 | S133-304 | Upper Control Panel Cover - 460V | | X | | X | | X | | X |
| 19 | 135X393 | Right Copper Chase | X | X | X | X | X | X | X | X |
| 19 | 135X397 ① | Right Copper Chase | 0 | 0 | 0 | 0 | 0 | 0 | 0 | 0 |
| 20 | 135Y393 | Left Copper Chase | X | X | X | X | X | X | X | X |
| 20 | 135Y397 ① | Left Copper Chase | 0 | 0 | 0 | 0 | 0 | 0 | 0 | 0 |
| 21 | 113-796 | Copper Retainer | 2 | 2 | 2 | 2 | 2 | 2 | 2 | 2 |
| 22 | 137-920 | Copper Fill Plate | 2 | 2 | 2 | 2 | 2 | 2 | 2 | 2 |
| 23 | 113-766 | Conduit Bracket | X | X | X | X | X | X | X | X |
| 24 | 8611-235 | Conduit Elbow | X | X | X | X | X | X | X | X |
| 25 | 113-765 | Grommet Retainer | X | X | X | X | X | X | X | X |
| 26 | 141-492 | Blower Partition Support | X | X | X | X | X | X | X | X |
| 27 | 121-582 | Blower Partition | X | X | X | X | X | X | X | X |
| 28 | 523-161 | Drain Pan | X | X | X | X | X | X | X | X |
| 28 | 523-162 ①② | Drain Pan | 0 | 0 | 0 | 0 | 0 | 0 | 0 | 0 |
| 29 | 113-768 | EEV mounting Bracket | | | X | X | | | X | X |
| 30 | 113-787 | Airflow Switch Bracket | 0 | 0 | 0 | 0 | 0 | 0 | 0 | 0 |
| 31 | 113-788 | Filter Switch Bracket | 0 | 0 | 0 | 0 | 0 | 0 | 0 | 0 |
| 32 | 113-789 | Filter Switch Light Bracket | 0 | 0 | 0 | 0 | 0 | 0 | 0 | 0 |
| NS | 113-809 | Heating Expansion Valve Bracket | X | X | | | X | X | | |
| NS | 113-381 | TXV Bulb Bracket | X | X | | | X | X | | |

① Exterior cabinet parts are manufactured from stainless steel Code "S"

② For aluminum units, order 523-162 stainless steel drain pan.

X – Standard Component

0 – Optional Component

INTERNAL PARTS – STANDARD & DEHUMIDIFICATION

| Dwg No. | Part Number | Description | W60HC-A, B | W60HC-C | W60HBDA, B | W60HBDC |
|---------|---------------------|--|------------|---------|------------|---------|
| 1 | 125-091 | Fan Shroud | X | X | X | X |
| 1 | 125-095 ① | Fan Shroud | 0 | 0 | 0 | 0 |
| 2 | S125-092 | Fan Shroud Side Access Cover | 2 | 2 | 2 | 2 |
| 2 | S125-096 ① | Fan Shroud Side Access Cover | 2 | 2 | 2 | 2 |
| 3 | 121-586 | Condenser Partition Insert | X | X | X | X |
| 3 | 121-600 ① | Condenser Partition Insert | 0 | 0 | 0 | 0 |
| 4 | 121-585 | Condenser Partition | X | X | X | X |
| 4 | 121-599 ① | Condenser Partition | 0 | 0 | 0 | 0 |
| 5 | 521-630 | Front Exhaust Partition | X | X | X | X |
| 6 | 521-587 | Exhaust Partition | X | X | X | X |
| 7 | Control Panel Assy. | See Control Panel Assy. Drawing & Parts List | X | X | X | X |
| 8 | S133-330 | Control Panel Cover (Inner) | X | X | X | X |
| 9 | 105-1453 | Front Vent Guide Rail | X | X | X | X |
| 10 | 105-1452 | Vent Guide Rail | X | X | X | X |
| 11 | S135-409 | Field Wire Shield | X | X | X | X |
| 12 | 131-168 | Filter Support Bracket | 2 | 2 | 2 | 2 |
| 13 | 131-170 | Filter Slide | X | X | X | X |
| 14 | 131-169 | Filter Rack Frame | X | X | X | X |
| 15 | 121-583 | Filter Partition | X | X | X | X |
| 16 | 117-412 | Upper Control Panel | X | X | X | X |
| 17 | 127-575 | Circuit Breaker Base | X | | X | |
| 17 | 127-585 | Circuit Breaker Base - 460V | | X | | X |
| 18 | S133-303 | Upper Control Panel Cover | X | | X | |
| 18 | S133-304 | Upper Control Panel Cover - 460V | | X | | X |
| 19 | 135X393 | Right Copper Chase | X | X | X | X |
| 19 | 135X397 ① | Right Copper Chase | 0 | 0 | 0 | 0 |
| 20 | 135Y393 | Left Copper Chase | X | X | X | X |
| 20 | 135Y397 ① | Left Copper Chase | 0 | 0 | 0 | 0 |
| 21 | 113-796 | Copper Retainer | 2 | 2 | 2 | 2 |
| 22 | 137-920 | Copper Fill Plate | 2 | 2 | 2 | 2 |
| 23 | 113-766 | Conduit Bracket | X | X | X | X |
| 24 | 8611-235 | Conduit Elbow | X | X | X | X |
| 25 | 113-765 | Grommet Retainer | X | X | X | X |
| 26 | 141-492 | Blower Partition Support | X | X | X | X |
| 27 | 121-582 | Blower Partition | X | X | X | X |
| 28 | 523-161 | Drain Pan | X | X | X | X |
| 28 | 523-162 ①② | Drain Pan | 0 | 0 | 0 | 0 |
| 29 | 113-768 | EEV mounting Bracket | | | X | X |
| 30 | 113-787 | Airflow Switch Bracket | 0 | 0 | 0 | 0 |
| 31 | 113-788 | Filter Switch Bracket | 0 | 0 | 0 | 0 |
| 32 | 113-789 | Filter Switch Light Bracket | 0 | 0 | 0 | 0 |
| NS | 113-809 | Heating Expansion Valve Bracket | X | X | | |
| NS | 113-381 | TXV Bulb Bracket | X | X | | |

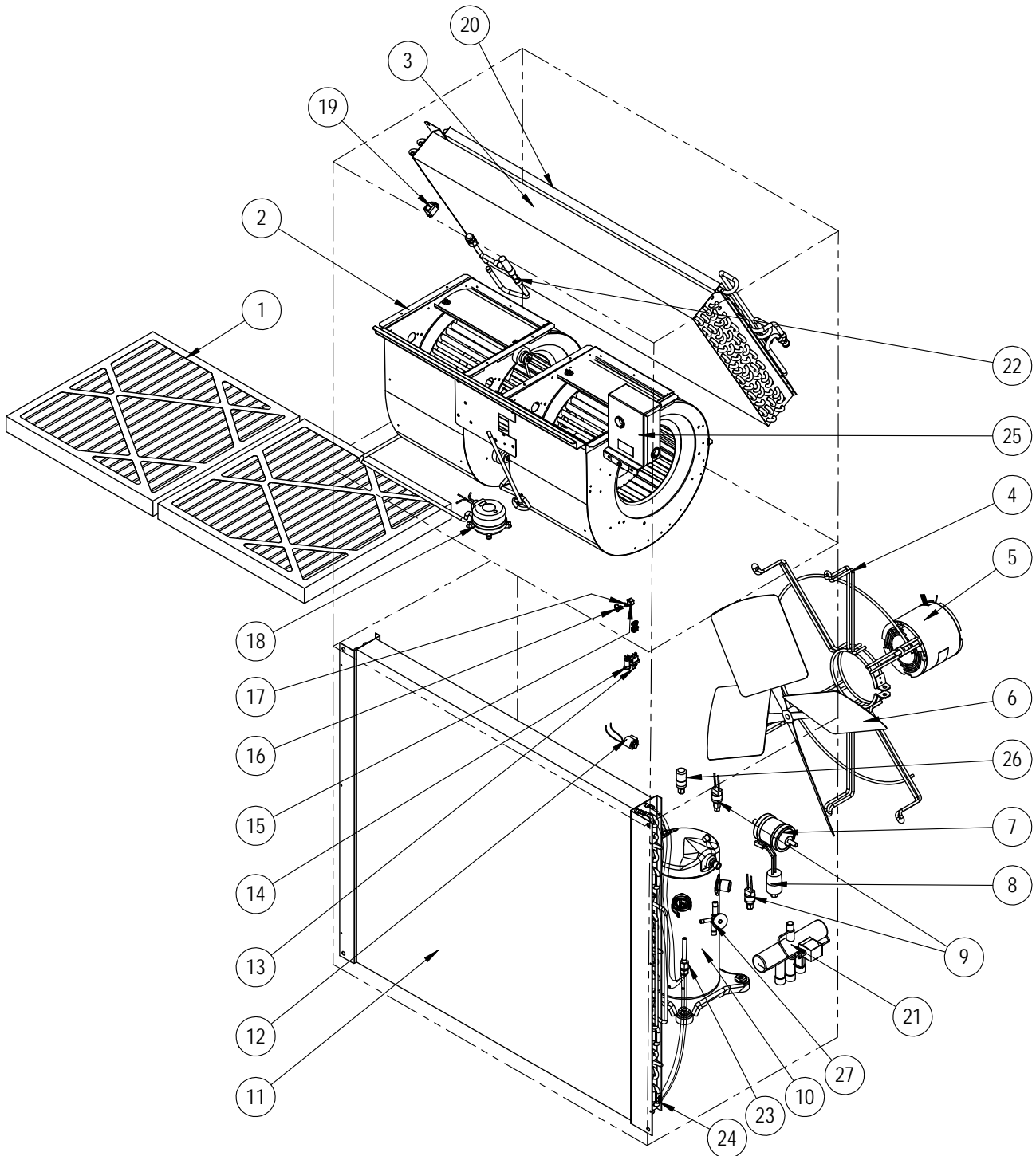
① Exterior cabinet parts are manufactured from stainless steel Code "S"
 ② For aluminum units, order 523-162 stainless steel drain pan.

X – Standard Component
 O – Optional Component

Refer to drawing on page 6

This page intentionally left blank

FUNCTIONAL COMPONENTS – STANDARD & DEHUMIDIFICATION



SEXP-1001 A

This drawing to be used for reference for pages 11 and 12

FUNCTIONAL COMPONENTS – STANDARD & DEHUMIDIFICATION

| Dwg No. | Part Number | Description | W42HC-A | W42HC-B | W42HC-C | W42HCDA | W42HCDB | W42HCDC | W48HC-A | W48HC-B | W48HC-C | W48HCDA | W48HCDB | W48HCDC |
|---------|---------------|--|---------|---------|---------|---------|---------|---------|---------|---------|---------|---------|---------|---------|
| 1 | 7004-012 | Air Filter 1" Throw-Away (20 x 20 x 1) | 2 | 2 | 2 | 2 | 2 | 2 | 2 | 2 | 2 | 2 | 2 | 2 |
| 1 | 7003-085 ② | Air Filter 1" Washable (20 x 20 x 1) | 2 | 2 | 2 | 2 | 2 | 2 | 2 | 2 | 2 | 2 | 2 | 2 |
| 1 | 7004-052 ② | Air Filter 2" Merv 8 (20 x 20 x 2) | 2 | 2 | 2 | 2 | 2 | 2 | 2 | 2 | 2 | 2 | 2 | 2 |
| 1 | 7004-060 ② | Air Filter 2" Merv 11 (20 x 20 x 2) | 2 | 2 | 2 | 2 | 2 | 2 | 2 | 2 | 2 | 2 | 2 | 2 |
| 1 | 7004-063 ② | Air Filter 2" Merv 13 (20 x 20 x 2) | 2 | 2 | 2 | 2 | 2 | 2 | 2 | 2 | 2 | 2 | 2 | 2 |
| 2 | S900-366-002 | Blower Assembly | X | X | | X | X | | | | | | | |
| 2 | S900-367-002 | Blower Assembly - 460V | | | X | | | X | | | | | | |
| 2 | S900-368-004 | Blower Assembly | | | | | | X | X | | | X | X | |
| 2 | S900-369-004 | Blower Assembly - 460V | | | | | | | | X | | | | X |
| 3 | 917-0403BX | Indoor Coil w/Distributor Assy. | X | X | X | | | | | | | | | |
| 3 | 917-0404BX | Indoor Coil - Coated w/Distributor Assy. | 0 | 0 | 0 | | | | | | | | | |
| 3 | 917-0405BX | Indoor Coil w/Distributor Assy. | | | | X | X | X | | | | | | |
| 3 | 917-0406BX | Indoor Coil - Coated w/Distributor Assy. | | | | 0 | 0 | 0 | | | | | | |
| 3 | 917-0407BX | Indoor Coil w/Distributor Assy. | | | | | | | X | X | X | | | |
| 3 | 917-0408BX | Indoor Coil - Coated w/Distributor Assy. | | | | | | | 0 | 0 | 0 | | | |
| 3 | 917-0409BX | Indoor Coil w/Distributor Assy. | | | | | | | | | | X | X | X |
| 3 | 917-0410BX | Indoor Coil - Coated w/Distributor Assy. | | | | | | | | | | 0 | 0 | 0 |
| 4 | 8200-004 | Fan Motor Mount | X | X | X | X | X | X | X | X | X | X | X | X |
| 4 | 8200-051 ① | Fan Motor Mount - Stainless Steel | 0 | 0 | 0 | 0 | 0 | 0 | 0 | 0 | 0 | 0 | 0 | 0 |
| 5 | 8105-068 | Condenser Motor | X | X | | X | X | | X | X | | X | X | |
| 5 | 8105-071 | Condenser Motor - 460V | | | X | | | X | | | X | | | X |
| 6 | 5151-060 | Fan Blade | X | X | X | X | X | X | X | X | X | X | X | X |
| 6 | 5151C060 ① | Fan Blade - Coated | 0 | 0 | 0 | 0 | 0 | 0 | 0 | 0 | 0 | 0 | 0 | 0 |
| 7 | 5201-020 | Filter Drier | X | X | X | X | X | X | X | X | X | X | X | X |
| 8 | CMH-35 | Low Ambient Control (LAC) Kit = #8, 12, 19 | 0 | 0 | 0 | 0 | 0 | 0 | 0 | 0 | 0 | 0 | 0 | 0 |
| 9 | 8406-142 | High Pressure Switch | X | X | X | X | X | X | X | X | X | X | X | X |
| 9 | 8406-135 | Low Pressure Switch | X | X | X | X | X | X | X | X | X | X | X | X |
| 10 | 8000-349 | Compressor | X | | | X | | | | | | | | |
| 10 | 8000-350 | Compressor | | X | | | X | | | | | | | |
| 10 | 8000-351 | Compressor | | | X | | | X | | | | | | |
| 10 | 8000-332 | Compressor | | | | | | | X | | | X | | |
| 10 | 8000-333 | Compressor | | | | | | | | X | | | X | |
| 10 | 8000-334 | Compressor | | | | | | | | | X | | | X |
| 11 | 917-0413 | Outdoor Coil (Includes Distributor) | X | X | X | X | X | X | | | | | | |
| 11 | 917-0414 | Outdoor Coil - Coated (Includes Distributor) | 0 | 0 | 0 | 0 | 0 | 0 | | | | | | |
| 11 | 917-0415 | Outdoor Coil (Includes Distributor) | | | | | | | X | X | X | X | X | X |
| 11 | 917-0416 | Outdoor Coil - Coated (Includes Distributor) | | | | | | | 0 | 0 | 0 | 0 | 0 | 0 |
| 12 | 8408-055 | Outdoor Temperature Sensor | 0 | 0 | 0 | 0 | 0 | 0 | 0 | 0 | 0 | 0 | 0 | 0 |
| 13 | 3000-1638 | Dirty Filter Reset Switch | 0 | 0 | 0 | 0 | 0 | 0 | 0 | 0 | 0 | 0 | 0 | 0 |
| 14 | 8611-094 | Red Indicator Light - 24VAC | 0 | 0 | 0 | 0 | 0 | 0 | 0 | 0 | 0 | 0 | 0 | 0 |
| 15 | 1171-023 | 1/4 Turn Receptacle | X | X | X | X | X | X | X | X | X | X | X | X |
| 16 | 1171-022 | 1/4 Turn Fastener | X | X | X | X | X | X | X | X | X | X | X | X |
| 17 | 1171-024 | 1/4 Turn Retainer | X | X | X | X | X | X | X | X | X | X | X | X |
| 18 | 8301-057 | Filter Pressure Switch | 0 | 0 | 0 | 0 | 0 | 0 | 0 | 0 | 0 | 0 | 0 | 0 |
| 19 | CMC-29 | Freeze Protection Thermostat | 0 | 0 | 0 | 0 | 0 | 0 | 0 | 0 | 0 | 0 | 0 | 0 |
| 20 | 5051-221BX | Reheat Coil | | | | X | X | X | | | | X | X | X |
| 20 | 5054-221BX | Reheat Coil - Coated | | | | 0 | 0 | 0 | | | | 0 | 0 | 0 |
| 21 | 5650-040 | Reversing Valve | X | X | X | X | X | X | X | X | X | X | X | X |
| 22 | 800-0465 | Distributor Assembly - Indoor Coil | X | X | X | | | | | | | | | |
| 22 | 800-0461 | Distributor Assembly - Indoor Coil | | | | X | X | X | | | | | | |
| 22 | 800-0488 | Distributor Assembly - Indoor Coil | | | | | | | X | X | X | | | |
| 22 | 800-0424 | Distributor Assembly - Indoor Coil | | | | | | | | | | X | X | X |
| 22 | 5651S245 ③ | Electronic Expansion Valve | | | | X | X | X | | | | X | X | X |
| 22 | 905-0737 ③ | Electronic Expansion Valve (EEV) Assembly | | | | X | X | X | | | | X | X | X |
| 23 | 800-0424 | Distributor Assembly - Outdoor Coil | X | X | X | X | X | X | | | | X | X | X |
| 23 | 800-0467 | Distributor Assembly - Outdoor Coil | | | | | | | X | X | X | X | X | X |
| 24 | 8620-225 | Defrost Thermistor Sensor | X | X | X | X | X | X | X | X | X | X | X | X |
| 25 | S910-2050-002 | EEV Controller (see EEV Controller Assembly) | | | | X | X | X | | | | X | X | X |
| 26 | 8406-158 | Low Pressure Transducer | | | | X | X | X | | | | X | X | X |
| 27 | 5651-210 | Heating Expansion Valve | X | X | X | | | | | | | | | |
| 27 | 5651-211 | Heating Expansion Valve | | | | | | | X | X | X | | | |
| NS | CMC-33 | Dirty Filter Switch Kit = Item #'s 13,14,18 | 0 | 0 | 0 | 0 | 0 | 0 | 0 | 0 | 0 | 0 | 0 | 0 |
| NS | 5650-051 | Dehumidification Valve | | | | X | X | X | | | | X | X | X |
| NS | 5650-042 | Rev. Valve Solenoid, Red Casing (Ranco) | X | X | X | X | X | X | X | X | X | X | X | X |
| NS | 5650-046 | Rev. Valve Solenoid, Black Casing (San Hua) | X | X | X | X | X | X | X | X | X | X | X | X |
| NS | 5651-219 | Check Valve | | | | 2 | 2 | 2 | | | | 2 | 2 | 2 |
| NS | 5451-024 | Tubing Isolation Grommet | 2 | 2 | 2 | 4 | 4 | 4 | 2 | 2 | 2 | 4 | 4 | 4 |
| NS | 6031-009 | Coremax Valve Core | 2 | 2 | 2 | 2 | 2 | 2 | 2 | 2 | 2 | 2 | 2 | 2 |
| NS | 1171-028 | Control Panel Door Clip | 4 | 4 | 4 | 4 | 4 | 4 | 4 | 4 | 4 | 4 | 4 | 4 |
| NS | 1171-057 | Control Panel Door Screw | 4 | 4 | 4 | 4 | 4 | 4 | 4 | 4 | 4 | 4 | 4 | 4 |
| NS | 1171-027 | Control Panel Door Screw Retainer | 4 | 4 | 4 | 4 | 4 | 4 | 4 | 4 | 4 | 4 | 4 | 4 |
| NS | 5650-054 | Molded Plug for Rev/Dehum Valves | X | X | X | 2 | 2 | 2 | X | X | X | 2 | 2 | 2 |

① – Used with stainless steel cabinet option
 ② – Optional on these models
 ③ – Not shipped with stator and harness. Refer to **EEV CONTROLLER ASSEMBLY** on page 13 for part numbers.

X – Standard Component
 0 – Optional Component
 NS – Not Shown

FUNCTIONAL COMPONENTS – STANDARD & DEHUMIDIFICATION

| Dwg No. | Part Number | Description | W60HC-A | W60HC-B | W60HC-C | W60HCDA | W60HCDB | W60HCDC |
|---------|---------------|--|---------|---------|---------|---------|---------|---------|
| 1 | 7004-012 | Air Filter 1" Throw-Away (20 x 20 x 1) | 2 | 2 | 2 | 2 | 2 | 2 |
| 1 | 7003-085 © | Air Filter 1" Washable (20 x 20 x 1) | 2 | 2 | 2 | 2 | 2 | 2 |
| 1 | 7004-052 © | Air Filter 2" Merv 8 (20 x 20 x 2) | 2 | 2 | 2 | 2 | 2 | 2 |
| 1 | 7004-060 © | Air Filter 2" Merv 11 (20 x 20 x 2) | 2 | 2 | 2 | 2 | 2 | 2 |
| 1 | 7004-063 © | Air Filter 2" Merv 13 (20 x 20 x 2) | 2 | 2 | 2 | 2 | 2 | 2 |
| 2 | S900-368-005 | Blower Assembly | X | X | | X | X | |
| 2 | S900-369-005 | Blower Assembly - 460V | | | X | | | X |
| 3 | 917-0411BX | Indoor Coil w/Distributor Assy. | X | X | X | | | |
| 3 | 917-0412BX | Indoor Coil - Coated w/Distributor Assy. | 0 | 0 | 0 | | | |
| 3 | 917-0376BX | Indoor Coil w/Distributor Assy. | | | | X | X | X |
| 3 | 917-0377BX | Indoor Coil - Coated w/Distributor Assy. | | | | 0 | 0 | 0 |
| 4 | 8200-004 | Fan Motor Mount | X | X | X | X | X | X |
| 4 | 8200-051 ① | Fan Motor Mount - Stainless Steel | 0 | 0 | 0 | 0 | 0 | 0 |
| 5 | 8105-068 | Condenser Motor | X | X | | X | X | |
| 5 | 8105-071 | Condenser Motor - 460V | | | X | | | X |
| 6 | 5151-060 | Fan Blade | X | X | X | X | X | X |
| 6 | 5151C060 ① | Fan Blade - Coated | 0 | 0 | 0 | 0 | 0 | 0 |
| 7 | 5201-020 | Filter Drier | X | X | X | X | X | X |
| 8 | CMH-35 | Low Ambient Control (LAC) Kit = #8, 12, 19 | 0 | 0 | 0 | 0 | 0 | 0 |
| 9 | 8406-142 | High Pressure Switch | X | X | X | X | X | X |
| 9 | 8406-135 | Low Pressure Switch | X | X | X | X | X | X |
| 10 | 8000-421 | Compressor | X | | | X | | |
| 10 | 8000-422 | Compressor | | X | | | X | |
| 10 | 8000-423 | Compressor | | | X | | | X |
| 11 | 917-0417BX | Outdoor Coil (Includes Distributor) | X | X | X | X | X | X |
| 11 | 917-0418BX | Outdoor Coil - Coated (Includes Distributor) | 0 | 0 | 0 | 0 | 0 | 0 |
| 12 | 8408-055 | Outdoor Temperature Sensor | 0 | 0 | 0 | 0 | 0 | 0 |
| 13 | 3000-1638 | Dirty Filter Reset Switch | 0 | 0 | 0 | 0 | 0 | 0 |
| 14 | 8611-094 | Red Indicator Light - 24VAC | 0 | 0 | 0 | 0 | 0 | 0 |
| 15 | 1171-023 | 1/4 Turn Receptacle | X | X | X | X | X | X |
| 16 | 1171-022 | 1/4 Turn Fastener | X | X | X | X | X | X |
| 17 | 1171-024 | 1/4 Turn Retainer | X | X | X | X | X | X |
| 18 | 8301-057 | Filter Pressure Switch | 0 | 0 | 0 | 0 | 0 | 0 |
| 19 | CMC-29 | Freeze Protection Thermostat | 0 | 0 | 0 | 0 | 0 | 0 |
| 20 | 5051-221BX | Reheat Coil | | | | X | X | X |
| 20 | 5054-221BX | Reheat Coil - Coated | | | | 0 | 0 | 0 |
| 21 | 5650-040 | Reversing Valve | X | X | X | X | X | X |
| 22 | 800-0468 | Distributor Assembly - Indoor Coil | X | X | X | | | |
| 22 | 800-0455 | Distributor Assembly - Indoor Coil | | | | X | X | X |
| 22 | 5651S248 | Electronic Expansion Valve | | | | X | X | X |
| 22 | 905-0745 | Electronic Expansion Valve (EEV) Assembly | | | | X | X | X |
| 23 | 800-0445 | Distributor Assembly - Outdoor Coil | X | X | X | X | X | X |
| 24 | 8408-044 | Defrost Thermistor Sensor | X | X | X | X | X | X |
| 25 | S910-2050-002 | EEV Controller (see EEV Controller Assembly) | | | | X | X | X |
| 26 | 8406-158 | Low Pressure Transducer | | | | X | X | X |
| 27 | 5651-211 | Heating Expansion Valve | X | X | X | | | |
| NS | CMC-33 | Dirty Filter Switch Kit = Item #'s 13,14,18 | 0 | 0 | 0 | 0 | 0 | 0 |
| NS | 5650-051 | Dehumidification Valve | | | | X | X | X |
| NS | 5650-042 | Rev. Valve Solenoid, Red Casing (Ranco) | X | X | X | X | X | X |
| NS | 5650-046 | Rev. Valve Solenoid, Black Casing (San Hua) | X | X | X | X | X | X |
| NS | 5651-219 | Check Valve | | | | 2 | 2 | 2 |
| NS | 5451-024 | Tubing Isolation Grommet | 2 | 2 | 2 | 4 | 4 | 4 |
| NS | 6031-009 | Coremax Valve Core | 2 | 2 | 2 | 2 | 2 | 2 |
| NS | 1171-028 | Control Panel Door Clip | 4 | 4 | 4 | 4 | 4 | 4 |
| NS | 1171-057 | Control Panel Door Screw | 4 | 4 | 4 | 4 | 4 | 4 |
| NS | 1171-027 | Control Panel Door Screw Retainer | 4 | 4 | 4 | 4 | 4 | 4 |
| NS | 5650-054 | Molded Plug for Rev/Dehum Valves | X | X | X | 2 | 2 | 2 |

NS – Not Shown

① – Used with stainless steel cabinet option

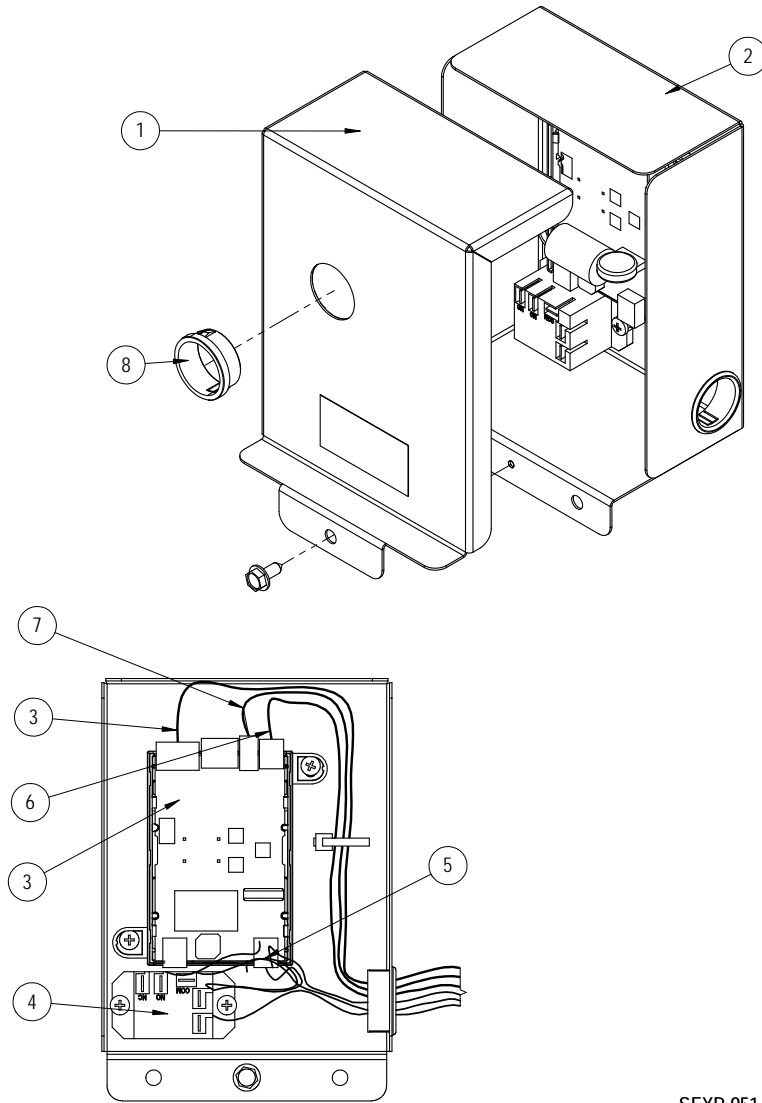
© – Optional on these models

X – Standard Component

0 – Optional Component

Refer to drawing on page 10

EEV CONTROLLER ASSEMBLY

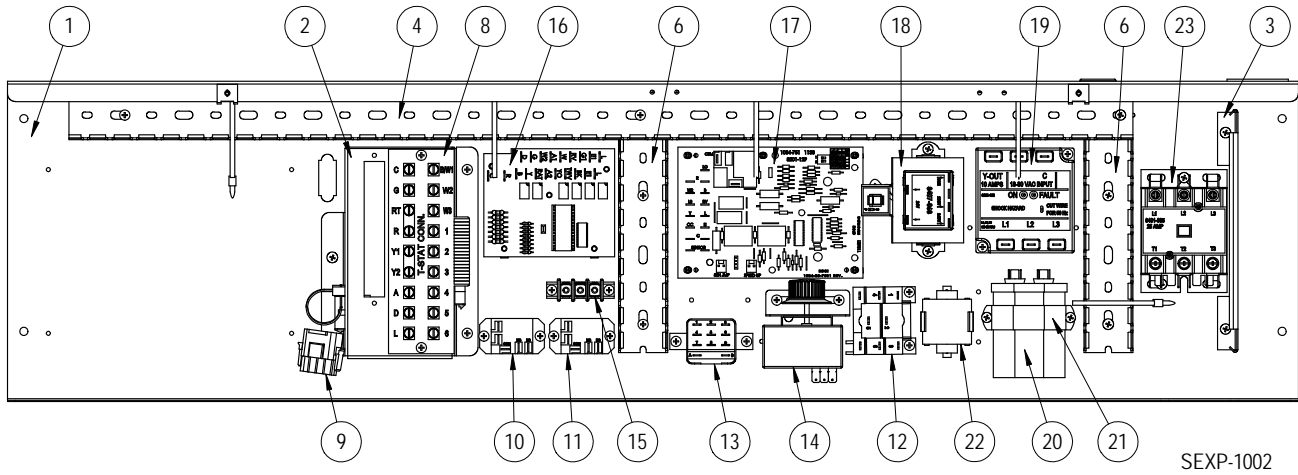


SEXP-951

S910-2050-002

| Dwg No. | Part Number | Description | |
|---------|----------------|---|---|
| 1 | 143-219 | EEV Control Box Cover | X |
| 2 | 127-572 | EEV Control Box | X |
| 3 | S8301-079-0002 | EEV Control Module & Stator Cable | X |
| 3 | 5651-246 | EEV Stator Cable Only | X |
| 4 | 8201-130 | Control Relay | X |
| 5 | 3000-1602 | Main Wire Assembly | X |
| 6 | 3000-1611 | Transducer Wire Assembly – Connects to EEV Board | X |
| 6 | 3000-1603 | Transducer Wire Assembly – Connects to Transducer | X |
| 7 | 8408-056 | EEV Thermistor | X |
| 8 | 8611-075 | Clear Snap Plug | X |

CONTROL PANEL – STANDARD & DEHUMIDIFICATION



CONTROL PANEL – STANDARD & DEHUMIDIFICATION

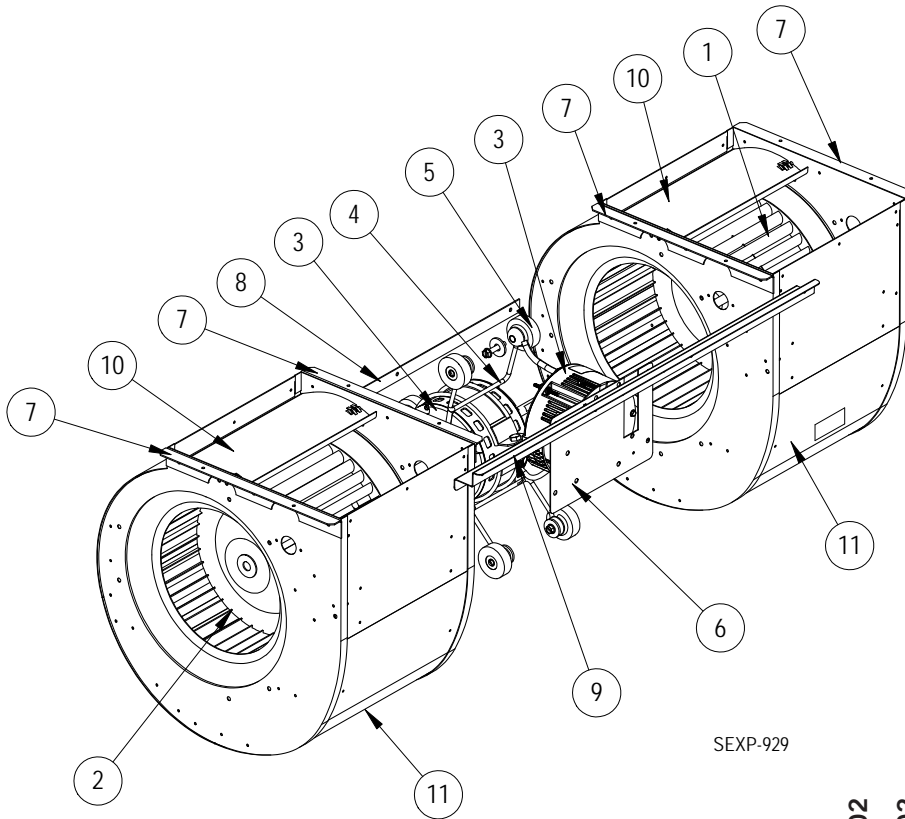
| Dwg No. | Part Number | Description | W42HC-A | W42HC-B | W42HC-C | W42HCDA | W42HCDB | W42HCDC | W48HC-A | W48HC-B | W48HC-C | W48HCDA | W48HCDB | W48HCDC | W60HC-A | W60HC-B | W60HC-C | W60HCDA | W60HCDB | W60HCDC |
|---------|---------------|---|---------|---------|---------|---------|---------|---------|---------|---------|---------|---------|---------|---------|---------|---------|---------|---------|---------|---------|
| 1 | 117-411 | Control Panel | X | X | X | X | X | X | X | X | X | X | X | X | X | X | X | X | X | X |
| 2 | S910-2061 | Complete Low Voltage Box Assembly (Sheet metal, Terminal Strip, & Wire Harness) | X | X | X | X | X | X | X | X | X | X | X | X | X | X | X | X | X | X |
| 3 | 135-394 | Wire Shield | X | X | X | X | X | X | X | X | X | X | X | X | X | X | X | X | X | X |
| 4 | 8611-244-3208 | Cable Duct - 32.5" | X | X | X | X | X | X | X | X | X | X | X | X | X | X | X | X | X | X |
| 6 | 8611-244-0608 | Cable Duct - 6.5" | 2 | 2 | 2 | 2 | 2 | 2 | 2 | 2 | 2 | 2 | 2 | 2 | 2 | 2 | 2 | 2 | 2 | 2 |
| 8 | 8607-063 | Low Voltage Terminal Strip - 18 term. | X | X | X | X | X | X | X | X | X | X | X | X | X | X | X | X | X | X |
| 9 | 3000-1524 | Vent Jumper Plug (used when no vent option) | X | X | X | X | X | X | X | X | X | X | X | X | X | X | X | X | X | X |
| 10 | 8201-130 | Alarm Relay (Kit = CMC-35) | 0 | 0 | 0 | 0 | 0 | 0 | 0 | 0 | 0 | 0 | 0 | 0 | 0 | 0 | 0 | 0 | 0 | 0 |
| 11 | 8201-130 | Blower Speed Relay | X | X | X | X | X | X | X | X | X | X | X | X | X | X | X | X | X | X |
| 12 | 8201-086 | OD T-Stat/LAC Relay (LAC Kit = CMH-35) | 0 | 0 | 0 | 0 | 0 | 0 | 0 | 0 | 0 | 0 | 0 | 0 | 0 | 0 | 0 | 0 | 0 | 0 |
| 13 | 8201-159 | Dirty Filter Relay (Kit = CMC-33) | 0 | 0 | 0 | 0 | 0 | 0 | 0 | 0 | 0 | 0 | 0 | 0 | 0 | 0 | 0 | 0 | 0 | 0 |
| 14 | 8408-028 | Outdoor Thermostat (ODT Kit = CMH-36) | 0 | 0 | 0 | 0 | 0 | 0 | 0 | 0 | 0 | 0 | 0 | 0 | 0 | 0 | 0 | 0 | 0 | 0 |
| 15 | 8607-042 | Blower Speed Terminal Block | X | X | X | X | X | X | X | X | X | X | X | X | X | X | X | X | X | X |
| 16 | 8201-113 | Dehumidification Logic Board | | | | X | X | X | | | | X | X | X | | | | X | X | X |
| 17 | 8620-223 | Defrost Logic Control Board w/Sensor | X | X | X | X | X | X | X | X | X | X | X | X | X | X | X | X | X | X |
| 18 | 8407-068 | Transformer | X | X | | X | X | | X | X | | X | X | | X | X | | X | X | |
| 18 | 8407-069 | Transformer | | | X | | | X | | | X | | | X | | | X | | | X |
| 19 | 8201-126 | Phase Monitor | | X | X | | X | X | | X | X | | X | X | | X | X | | X | X |
| 20 | 8552-079 | Compressor Capacitor | X | | | X | | | X | | | X | | | X | | | X | | |
| 20 | 8552-089 | Compressor Capacitor | | X | | | X | | X | | | X | | | X | | | X | | |
| 20 | 8552-005 | Outdoor Motor Capacitor | | | X | | | X | | | X | | | X | | | X | | | X |
| 20 | 8552-004 | Outdoor Motor Capacitor | | | X | | | X | | | X | | | X | | | X | | | X |
| 21 | 8550-008 | Capacitor Strap | X | | | X | | | X | | | X | | | X | | | X | | |
| 21 | 8550-003 | Capacitor Strap | | X | X | | X | X | | X | X | | X | X | | X | X | | X | X |
| 22 | 8551-004 | Start Device (PTCR) (Kit = CMC-32) | 0 | | | 0 | | | 0 | | | 0 | | | 0 | | | 0 | | |
| 23 | 8401-034 | Compressor Contactor | X | | | X | | | X | | | X | | | X | | | X | | |
| 23 | 8401-035 | Compressor Contactor | | X | X | | X | X | | X | X | | X | X | | X | X | | X | X |
| NS | 8615-039 | Circuit Breaker 45A 2 Pole ① | 0 | | | 0 | | | 0 | | | 0 | | | 0 | | | 0 | | |
| NS | 8615-040 | Circuit Breaker 50A 2 Pole ① | | | | | | | 0 | | | 0 | | | | | | 0 | | |
| NS | 8615-041 | Circuit Breaker 60A 2 Pole ① | | | | | | | 0 | | | 0 | | | | | | 0 | | |
| NS | 8615-042 | Circuit Breaker 35A 3 Pole ① | | 0 | | | 0 | | 0 | | | 0 | | | 0 | | | 0 | | |
| NS | 8615-043 | Circuit Breaker 40A 3 Pole ① | | | | | | | 0 | | | 0 | | | 0 | | | 0 | | |
| NS | S8615-067 | Toggle Disconnect | | | 0 | | | 0 | | | 0 | | | 0 | | | 0 | | | 0 |
| NS | 4096-168 | Wiring Diagram | X | | | | | | X | | | | | | X | | | | | |
| NS | 4096-169 | Wiring Diagram | | X | | X | | | | X | | X | | | | X | | X | | |
| NS | 4096-270 | Wiring Diagram | | | | | X | | | | | X | | | | | | | X | |
| NS | 4096-271 | Wiring Diagram | | | | | | | | | | X | | | | | | | | X |
| NS | 4096-368 | Wiring Diagram | | | X | | | | | X | | | | | | | X | | | |
| NS | 4096-369 | Wiring Diagram | | | | | | X | | | | | | X | | | | | | X |
| NS | 3000-1613 | Blower Power Plug | X | X | X | X | X | X | X | X | X | X | X | X | X | X | X | X | X | X |
| NS | 3000-1614 | Blower Speed Plug | X | X | X | X | X | X | X | X | X | X | X | X | X | X | X | X | X | X |
| NS | 3000-1222 | Compressor Plug/Harness | X | | | X | | | X | | | X | | | X | | | X | | |
| NS | 3000-1230 | Compressor Plug/Harness | | X | X | | X | X | | X | X | | X | X | | X | X | | X | X |
| NS | 3003-064 | Control Panel Wire Harness | X | | | | | | X | | | | | | X | | | | | |
| NS | 3003-065 | Control Panel Wire Harness | | X | | | | | | X | | | | | | X | | | | |
| NS | 3003-066 | Control Panel Wire Harness | | | X | | | | | | X | | | | | | X | | | |
| NS | 3003-067 | Control Panel Wire Harness | | | | X | | | | | | X | | | | | | X | | |
| NS | 3003-068 | Control Panel Wire Harness | | | | | X | | | | | | X | | | | | | X | |
| NS | 3003-069 | Control Panel Wire Harness | | | | | | X | | | | | | X | | | | | | X |
| NS | 3000-1608 | Low Voltage Terminal Block Wire Harness | X | X | X | X | X | X | X | X | X | X | X | X | X | X | X | X | X | X |
| NS | 8201-032 | Outdoor Fan Relay (located where start device shown) | | | X | | | X | | | X | | | X | | | X | | | X |

NS = Not Shown

① Circuit breakers listed are for units without electric heat, "0Z" models.
See heater replacement parts manual for units with electric heat.

X – Standard Component
O – Optional Component

BLOWER ASSEMBLY



SEXP-929

| Dwg No. | Part Number | Description | S900-366-002 | S900-367-002 | S900-368-004 | S900-368-005 | S900-369-004 | S900-369-005 |
|---------|----------------|--|--------------|--------------|--------------|--------------|--------------|--------------|
| 1 | 5152-011 | 10 Inch Wheel (CW) | X | X | X | X | X | X |
| 2 | 5152-012 | 10 Inch Wheel (CW) | X | X | X | X | X | X |
| 3 | S8106-068-0185 | Programmed Blower Motor & Control (230/208V) | X | | | | | |
| 3 | S8106-069-0176 | Programmed Blower Motor & Control (460V) | | X | | | | |
| 3 | S8107-028-0177 | Programmed Blower Motor & Control (230/208V) | | | X | | | |
| 3 | S8107-028-0179 | Programmed Blower Motor & Control (230/208V) | | | | X | | |
| 3 | S8107-029-0178 | Programmed Blower Motor & Control (460V) | | | | | X | |
| 3 | S8107-029-0180 | Programmed Blower Motor & Control (460V) | | | | | | X |
| 3 | C8106-068-0185 | Programmed Control Only (230/208V) | 0 | | | | | |
| 3 | C8106-069-0176 | Programmed Control Only (460V) | | 0 | | | | |
| 3 | C8107-028-0177 | Programmed Control Only (230/208V) | | | 0 | | | |
| 3 | C8107-028-0179 | Programmed Control Only (230/208V) | | | | 0 | | |
| 3 | C8107-029-0178 | Programmed Control Only (460V) | | | | | 0 | |
| 3 | C8107-029-0180 | Programmed Control Only (460V) | | | | | | 0 |
| 4 | 8200-040 | Motor Mount | X | X | X | X | X | X |
| 5 | 5451-011 | Grommets | 6 | 6 | 6 | 6 | 6 | 6 |
| 6 | 112-775 | Motor Control Bracket | X | X | X | X | X | X |
| 7 | 105-880 | Side Angle | 4 | 4 | 4 | 4 | 4 | 4 |
| 8 | 105-881 | Back Brace | X | X | X | X | X | X |
| 9 | 103-541 | Front Mounting Offset | X | X | X | X | X | X |
| 10 | 144-166 | Diffuser | 2 | 2 | 2 | 2 | 2 | 2 |
| 11 | 151-101 | Blower Housing | 2 | 2 | 2 | 2 | 2 | 2 |