
REPLACEMENT PARTS MANUAL

Wall Mounted Packaged Heat Pump

Models:

W18HF-A W24HF-A W24HFDA
 W24HF-B W24HFDB
 W24HF-C W24HFDC

Contents

Description	Page	Description	Page
Cabinet Components		Blower Assembly	
♦ Exploded View	2	♦ Exploded View	16
♦ Usage List	3	♦ Usage List	16
♦ Usage List	4	EEV Controller Assembly	
Functional Components – Standard Units		♦ Exploded View	17
♦ Exploded View	6	♦ Usage List	17
♦ Usage List	7		
Functional Components – Dehumidification Units			
♦ Exploded View	8		
♦ Usage List	9		
Control Panel – 230 Volt 1 Phase Units			
♦ Layout View	10		
♦ Usage List	11		
Control Panel – 230 Volt 3 Phase Units			
♦ Layout View	12		
♦ Usage List	13		
Control Panel – 460 Volt 3 Phase Units			
♦ Layout View	14		
♦ Usage List	15		

General Notes

- Revised and/or additional pages may be issued from time to time.
- A complete and current manual consists of pages shown in the contents section.

Important

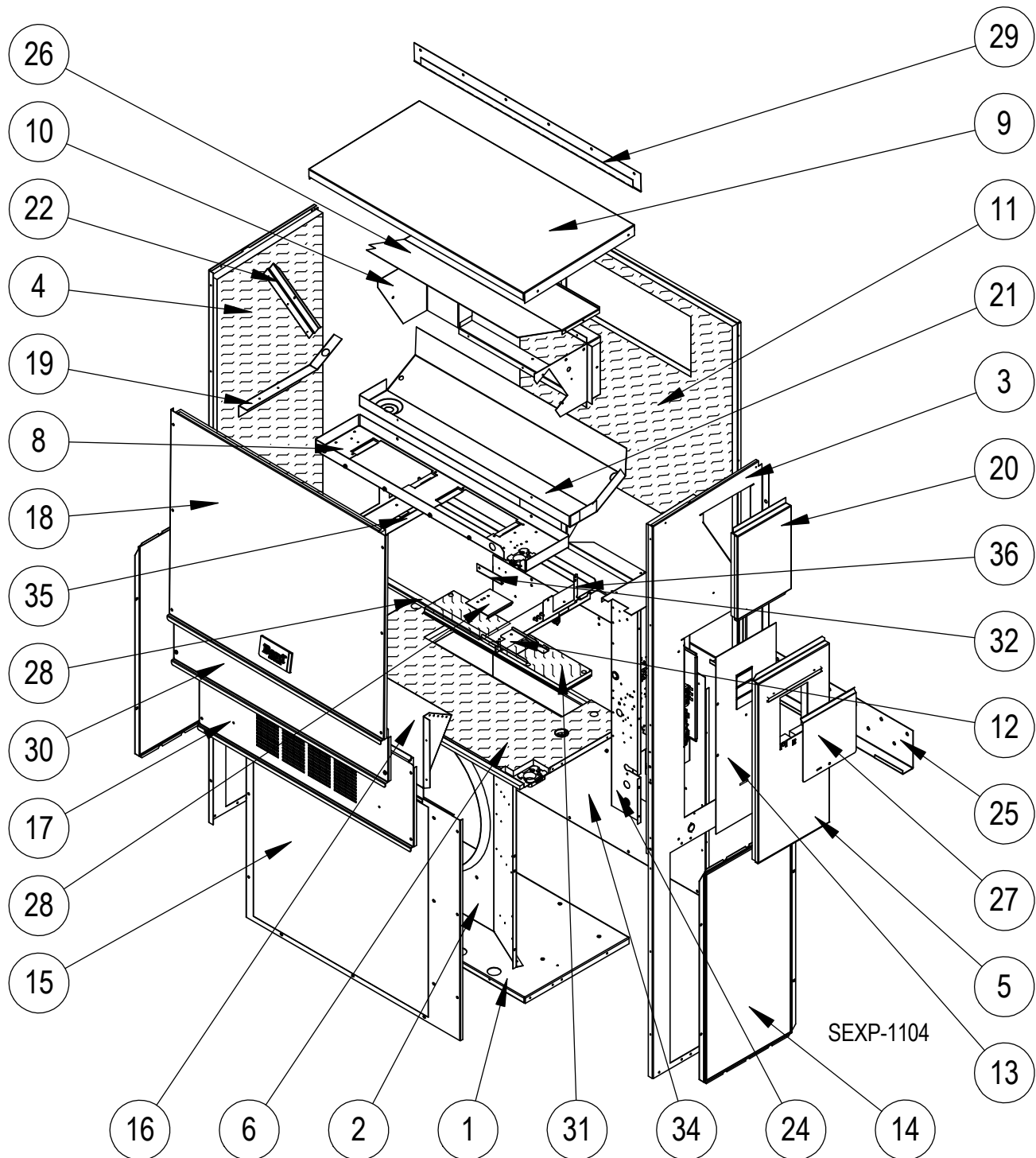
- Contact the installing and/or local Bard distributor for all parts requirements. Make sure to have the complete model and serial number available from the unit rating plates.



Bard Manufacturing Company, Inc.
Bryan, Ohio 43506
www.bardhvac.com

Manual: 2110-1590A
Supersedes: 2110-1590
Date: 9-23-25

CABINET COMPONENTS



This drawing to be used for reference for pages 3 and 4

CABINET COMPONENTS

Dwg No.	Part Number	Description	W18HF-A	W24HF-A, B	W24HF-C	W24HFDA, B	W24HFDC
1	127-467BX	Lower Base	X	X	X	X	X
1	127-534BX ②	Lower Base	X	X	X	X	X
2	125-080BX	Fan Shroud	X	X	X	X	X
2	125-082BX ②	Fan Shroud	X	X	X	X	X
3	501-1204-*BX ①	Right Side	X	X	X	X	X
3	501-1205-*BX ②	Right Side	X	X	X	X	X
3	501-1206BX ③	Right Side	X	X	X	X	X
4	501-1219-*BX ①	Left Side	X	X	X	X	X
4	501-1210-*BX ②	Left Side	X	X	X	X	X
4	501-1211BX ③	Left Side	X	X	X	X	X
5	533-228-*BX ①	Control Panel Cover (Outer)	X	X	X	X	X
5	533-235BX ②	Control Panel Cover (Outer)	X	X	X	X	X
5	533-236BX ③	Control Panel Cover (Outer)	X	X	X	X	X
6	521X528BX	Condenser Partition	X	X	X	X	X
6	521-553BX ②	Condenser Partition	X	X	X	X	X
8	121X480BX	Blower Partition	X	X	X	X	X
9	507-311-*BX ①	Top	X	X	X	X	X
9	507-318-*BX ③	Top	X	X	X	X	X
9	507-317BX ②	Top	X	X	X	X	X
10	111X032BX	Outlet Air Frame Assembly	X	X	X	X	X
11	509-445BX	Upper Back	X	X	X	X	X
11	509-447BX ③	Upper Back	X	X	X	X	X
11	509-449BX ②	Upper Back	X	X	X	X	X
12	137X1011BX	Filter Fill Plate	X	X	X	X	X
13	132-375BX	Control Panel Cover (Inner)	X	X		X	
13	132-385BX	Control Panel Cover (Inner)			X		X
14	118-124-*BX ①	Side Grille	2	2	2	2	2
14	118-140BX ②	Side Grille	2	2	2	2	2
14	118-141BX ③	Side Grille	2	2	2	2	2
15	118-101-*BX ①	Condenser Grille	X	X	X	X	X
15	118-106BX ②	Condenser Grille	X	X	X	X	X
15	118-144BX ③	Condenser Grille	X	X	X	X	X
16	BFAD-2	Fresh Air Damper Assembly	X	X	X	X	X
17	553-537-*BX ①	Vent Option Door	X	X	X	X	X
17	553-547BX ②	Vent Option Door	X	X	X	X	X
17	553-548BX ③	Vent Option Door	X	X	X	X	X
17	553-539-*BX ①	Vent Option Door with ERV	X	X	X	X	X
17	553-555BX ②	Vent Option Door with ERV	X	X	X	X	X
17	553-556BX ③	Vent Option Door with ERV	X	X	X	X	X
17	553-666-*BX ①	Vent Option Door with CRV or ECON-S	X	X	X	X	X
17	553-692BX ②	Vent Option Door with CRV or ECON-S	X	X	X	X	X
17	553-693BX ③	Vent Option Door with CRV or ECON-S	X	X	X	X	X
18	514-240-*BX ①	Upper Front	X	X	X	X	X
18	514-237-*BX ③	Upper Front	X	X	X	X	X
18	514-236BX ②	Upper Front	X	X	X	X	X

Continued on page 4

- ① Exterior cabinet parts are manufactured with various paint color options. To ensure the proper paint color is received, include the complete model and serial number of the unit for which cabinet parts are being ordered.
- ② Exterior cabinet parts are manufactured from stainless steel Code "S"
- ③ Exterior cabinet parts are manufactured from aluminum Code "A"

CABINET COMPONENTS

Dwg. No.	Part Number	Description	W18HF-A	W24HF-A, B	W24HF-C	W24HFDA, B	W24HFDC
<i>Continued from page 3</i>							
19	105X850BX	Side Support	X	X	X	X	X
20	543-175-*BX ①	Right Side Cover Plate (Outer)	X	X	X	X	X
20	543-185BX ②	Right Side Cover Plate (Outer)	X	X	X	X	X
20	543-184BX ③	Right Side Cover Plate (Outer)	X	X	X	X	X
21	123-126BX	Drain Pan	X	X	X	X	X
21	123-140BX ②③	Drain Pan	X	X	X	X	X
22	147-044BX	Evaporator Support	X	X	X	X	X
24	Control Panel Assembly	See Control Panel on pages 10 – 15	X	X	X	X	X
25	113-140BX	Bottom Mounting Bracket	X	X	X	X	X
26	135X127BX	Heat Shield	X	X	X	X	X
27	153-218-*BX ①	Disconnect Access Door	X	X	X	X	X
27	153-405BX ②	Disconnect Access Door	X	X	X	X	X
27	153-387BX ③	Disconnect Access Door	X	X	X	X	X
28	131-196BX	Filter Partition Bracket	X	X	X	X	X
29	113-141-*BX ①	Top Rain Flashing	X	X	X	X	X
29	113-361BX ②	Top Rain Flashing	X	X	X	X	X
29	113-141-4BX ③	Top Rain Flashing	X	X	X	X	X
30	553-538-*BX ①	Filter Door	X	X	X	X	X
30	553-552-*BX ③	Filter Door	X	X	X	X	X
30	553-551BX ②	Filter Door	X	X	X	X	X
31	536-176BX	Cond. Partition Block Off Plate	X	X	X	X	X
31	536-878BX ②	Cond. Partition Block Off Plate	X	X	X	X	X
32	105-1302BX	Grommet Retainer	X	X	X	X	X
34	109-444BX	Lower Back	X	X	X	X	X
34	109-446BX ③	Lower Back	X	X	X	X	X
34	109-448BX ②	Lower Back	X	X	X	X	X
35	131-192BX	Filter Tray Angle	X	X	X	X	X
36	131X191BX	Filter Partition	X	X	X	X	X
NS	5252-033	Bard Nameplate	X	X	X	X	X

① Exterior cabinet parts are manufactured with various paint color options. To ensure the proper paint color is received, include the complete model and serial number of the unit for which cabinet parts are being ordered.

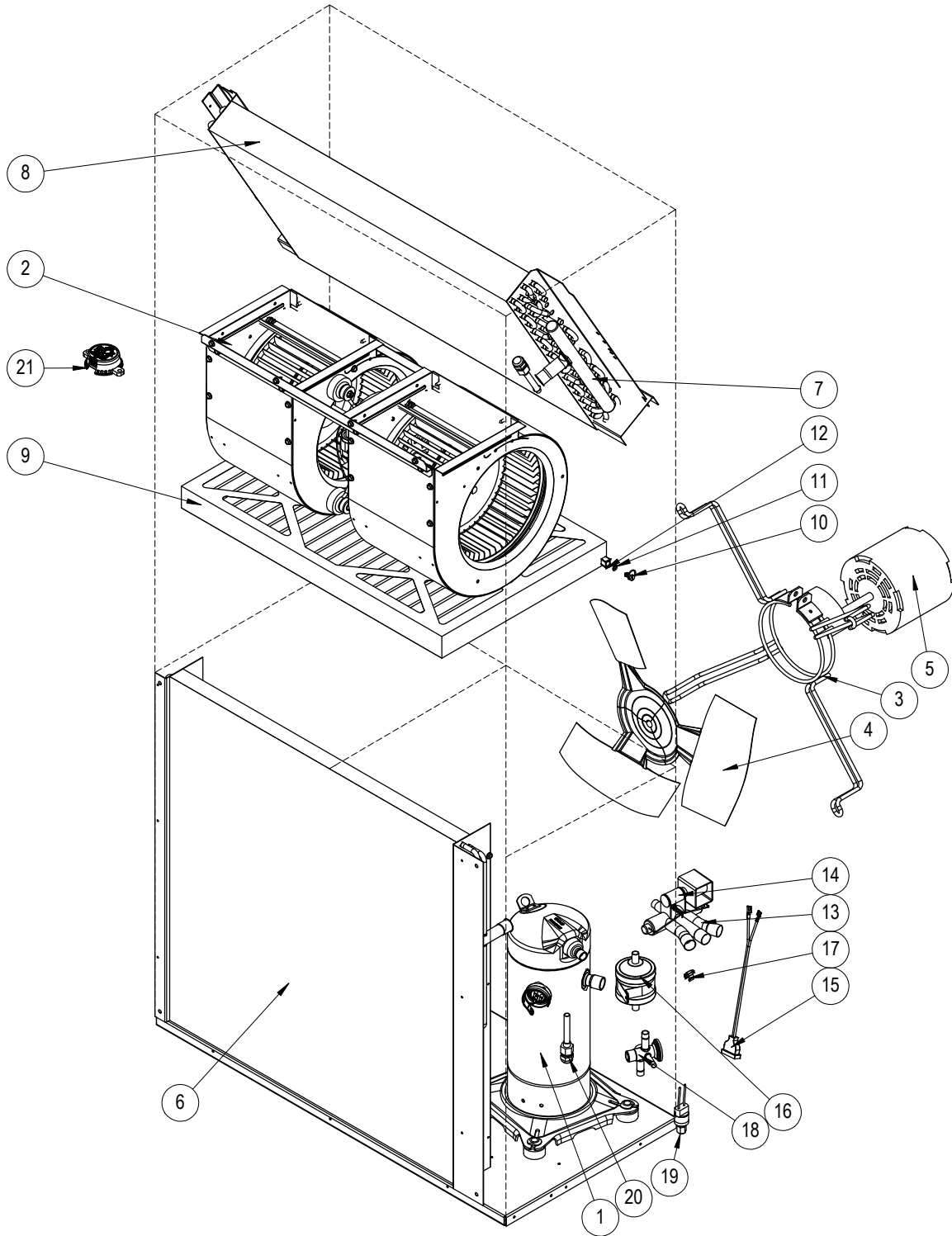
② Exterior cabinet parts are manufactured from stainless steel Code "S"

③ Exterior cabinet parts are manufactured from aluminum Code "A"

Refer to drawing on page 2

This page intentionally left blank

FUNCTIONAL COMPONENTS – STANDARD UNITS



SEXP-985 A

FUNCTIONAL COMPONENTS – STANDARD UNITS

Dwg No.	Part Number	Description	W18HF-A	W24HF-A	W24HF-B	W24HF-C
1	8000-485BX	Compressor	X			
1	8000-486BX	Compressor		X		
1	8000-487BX	Compressor			X	
1	8000-488BX	Compressor				X
NS	3000-1224BX	Molded Compressor Wire Harness (1-PH)	X	X		
NS	3000-1231BX	Molded Compressor Wire Harness (3-PH)			X	X
2	900-358-0168BX	Blower Assembly	X			
2	900-358-0169BX	Blower Assembly		X	X	
2	900-359-0170BX	Blower Assembly				X
3	8200-001BX	Fan Motor Mount	X	X	X	X
3	8200-050BX ①	Stainless Steel Fan Motor Mount	X	X	X	X
4	5151-033BX	Fan Blade	X	X	X	
4	5151C033BX ①	Coated Fan Blade	X	X	X	
4	5151-046BX	Fan Blade				X
4	5151C046BX ①	Coated Fan Blade				X
5	8103-028BX	Outdoor Fan Motor	X	X	X	
5	8103-030BX	Outdoor Fan Motor				X
6	917-0385BX	Outdoor Coil (Includes Distributor)	X			
6	917-0390BX ②	Outdoor Coil – Coated (Includes Distributor)	O			
6	917-0386BX	Outdoor Coil (Includes Distributor)		X	X	X
6	917-0391BX ②	Outdoor Coil – Coated (Includes Distributor)		O	O	O
7	800-0501BX	Cooling Distributor Assembly	X			
7	800-0504BX	Cooling Distributor Assembly		X	X	X
8	917-0531BX	Indoor Coil (Includes Cooling Distributor)	X			
8	917-0532BX ②	Indoor Coil – Coated (Includes Cooling Distributor)	O			
8	917-0529BX	Indoor Coil (Includes Cooling Distributor)		X	X	X
8	917-0530BX ②	Indoor Coil – Coated (Includes Cooling Distributor)		O	O	O
9	7004-011	Air Filter 16" x 25" x 1" Disposable	X	X	X	X
9	7003-032 ②	Air Filter 16" x 25" x 1" Washable	O	O	O	O
9	7004-025 ②	Air Filter 16" x 25" x 2" Pleated Disposable	O	O	O	O
10	1171-022	1/4 Turn Fastener	X	X	X	X
11	1171-024	1/4 Turn Retainer	X	X	X	X
12	1171-023	1/4 Turn Receptacle	X	X	X	X
13	5650-038BX	Reversing Valve w/24V Solenoid Coil	X	X	X	X
14	5650-046BX	Reversing Valve 24V Solenoid	X	X	X	X
15	5650-044BX	Molded Plug 53" Lead	X	X	X	X
16	5201-019BX	Filter Drier, Bi-Directional, 3/8" Connections	X	X	X	X
17	8620-224	Defrost Sensor Kit	X	X	X	X
18	5651-253BX	Heating Expansion Valve	X	X	X	X
19	8406-167BX	High Pressure Switch (615#) Screw On	X	X	X	X
20	5625-127BX	Heating Distributor	X	X	X	X
21	8301-110BX	RDS Sensor	X	X	X	X
NS	8401-036BX	RDS Relay	X	X	X	X
NS	8406-168BX	Low Pressure Switch (20#) Screw On	X	X	X	X
NS	6031-009	Coremax Valve Core (Service Port)	2	2	2	2
NS	8612-027BX ②	Low Ambient Fan Control (Modulating)	O			
NS	8406-105BX ②	Low Ambient Fan Cycling Control (280#/180#)		O	O	O
NS	8408-028BX ②	Outdoor Thermostat	O	O	O	O
NS	1171-028	Filter Door Clip	X	X	X	X
NS	1171-057	Filter Door Screw	X	X	X	X
NS	1171-027	Filter Door Screw Retainer	X	X	X	X
NS	CMC-29 ②	Freeze Thermostat Kit	O	O	O	O

NS – Not Shown

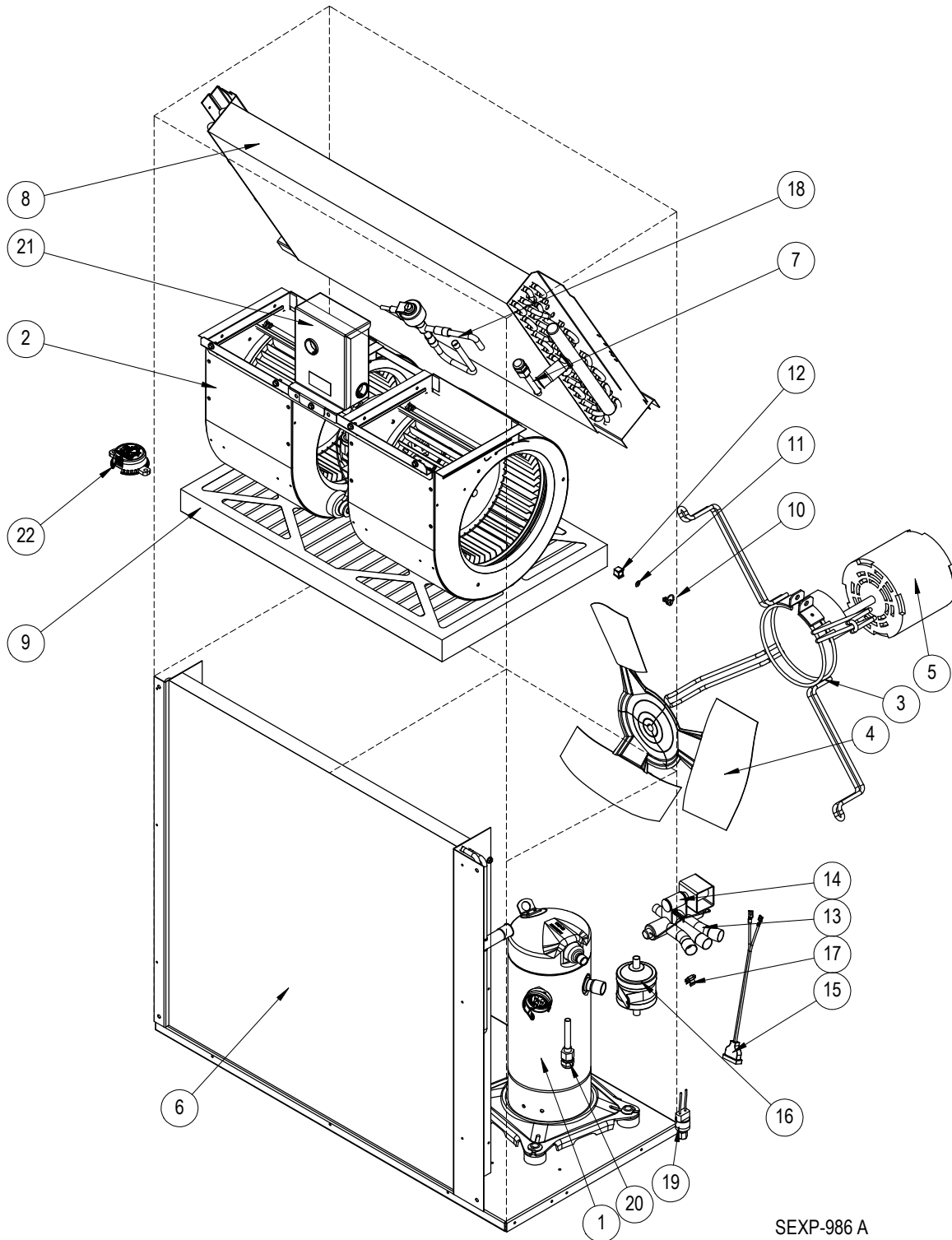
① – Used with stainless steel cabinet option

② – Optional on these models

X – Standard

O – Add-On Option

FUNCTIONAL COMPONENTS – DEHUMIDIFICATION UNITS



SEXP-986 A

FUNCTIONAL COMPONENTS – DEHUMIDIFICATION UNITS

Dwg No.	Part Number	Description	W24HFDA	W24HFDB	W24HFDC
1	8000-486BX	Compressor	X		
1	8000-487BX	Compressor		X	
1	8000-488BX	Compressor			X
NS	3000-1224BX	Molded Compressor Wire Harness (1-PH)	X		
NS	3000-1231BX	Molded Compressor Wire Harness (3-PH)		X	X
2	900-358-0169BX	Blower Assembly	X	X	
2	900-359-0170BX	Blower Assembly			X
3	8200-001BX	Fan Motor Mount	X	X	X
3	8200-050BX ①	Stainless Steel Fan Motor Mount	X	X	X
4	5151-033BX	Fan Blade	X	X	
4	5151C033BX ①	Coated Fan Blade	X	X	
4	5151-046BX	Fan Blade			X
4	5151C046BX ①	Coated Fan Blade			X
5	8103-028BX	Outdoor Fan Motor	X	X	
5	8103-030BX	Outdoor Fan Motor			X
6	917-0386BX	Outdoor Coil (Includes Distributor)	X	X	X
6	917-0391BX ②	Outdoor Coil – Coated (Includes Distributor)	O	O	O
7	800-0426BX	Cooling Distributor Assembly	X	X	X
8	917-0383BX	Indoor Coil (Includes Cooling Distributor)	X	X	X
8	917-0395BX ②	Indoor Coil – Coated (Includes Cooling Distributor)	O	O	O
9	7004-011	Air Filter 16" x 25" x 1" Disposable	X	X	X
9	7003-032 ②	Air Filter 16" x 25" x 1" Washable	O	O	O
9	7004-025 ②	Air Filter 16" x 25" x 2" Pleated Disposable	O	O	O
10	1171-022	1/4 Turn Fastener	X	X	X
11	1171-024	1/4 Turn Retainer	X	X	X
12	1171-023	1/4 Turn Receptacle	X	X	X
13	5650-038BX	Reversing Valve w/24V Solenoid Coil	X	X	X
14	5650-046BX	Reversing Valve 24V Solenoid	X	X	X
15	5650-044BX	Molded Plug 53" Lead	X	X	X
16	5201-019BX	Filter Drier, Bi-Directional, 3/8" Connections	X	X	X
17	8620-224	Defrost Sensor Kit	X	X	X
18	5651-245BX	Electronic Expansion Valve	X	X	X
19	8406-167BX	High Pressure Switch (615#) Screw On	X	X	X
20	5625-014BX	Heating Distributor	X	X	X
21	EEV Controller Assy.	See EEV CONTROLLER ASSEMBLY on page 17	X	X	X
22	8301-110BX	RDS Sensor	X	X	X
NS	8401-036BX	RDS Relay	X	X	X
NS	8406-168BX	Low Pressure Switch (20#) Screw On	X	X	X
NS	8406-158BX	Low Pressure Transducer	X	X	X
NS	6031-009	Coremax Valve Core (Service Port)	2	2	2
NS	5650-051BX	Dehumidification Mode Valve	X	X	X
NS	5651-219BX	Dehumidification Check Valves	2	2	2
NS	8406-105BX ②	Low Ambient Fan Cycling Control (280#/180#)	O	O	O
NS	8408-028BX ②	Outdoor Thermostat	O	O	O
NS	1171-028	Filter Door Clip	X	X	X
NS	1171-057	Filter Door Screw	X	X	X
NS	1171-027	Filter Door Screw Retainer	X	X	X

NS – Not Shown

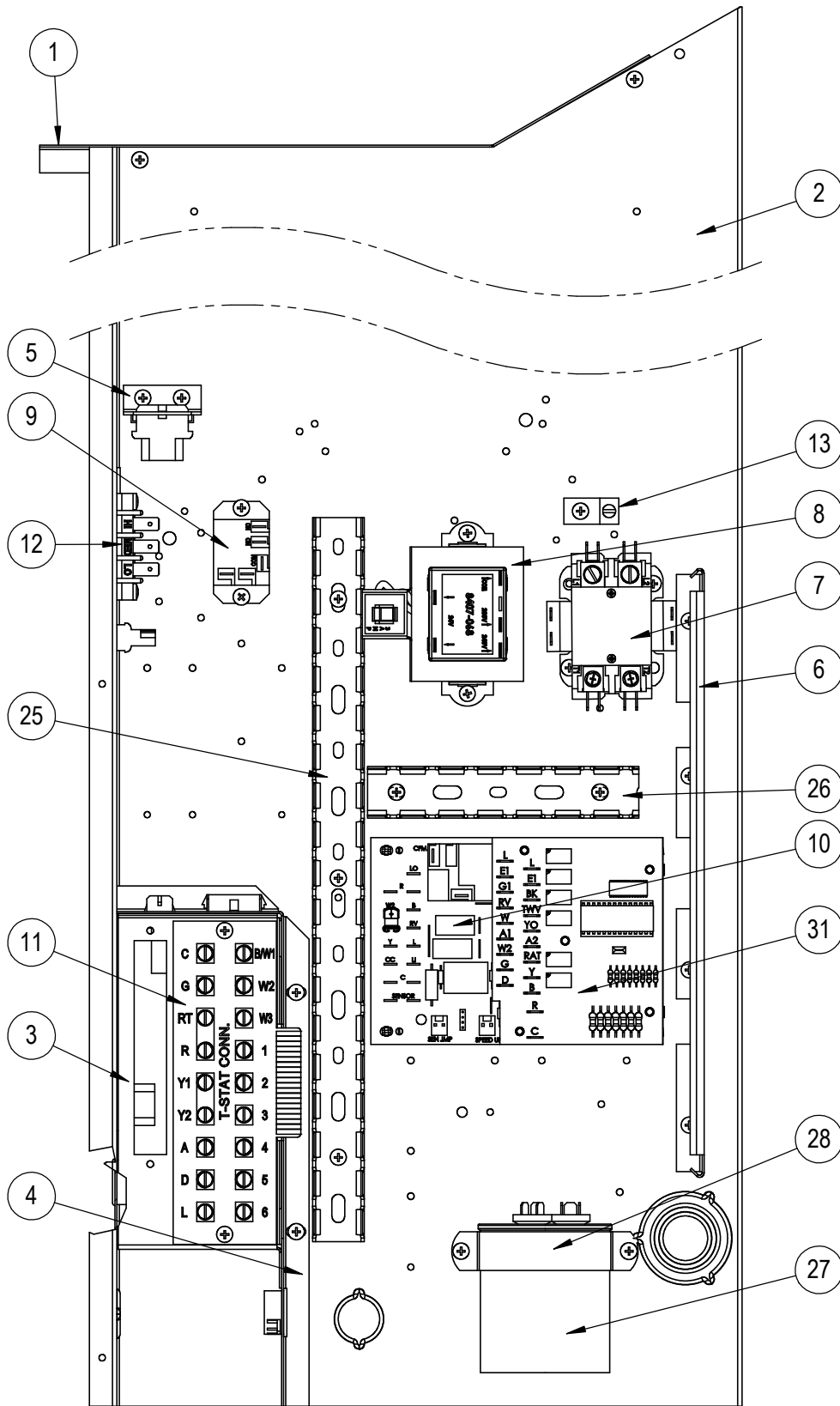
① – Used with stainless steel cabinet option

② – Optional on these models

X – Standard

O – Add-On Option

CONTROL PANEL - 230 VOLT 1 PHASE UNITS



SEXP-987

CONTROL PANEL – 230 VOLT 1 PHASE UNITS

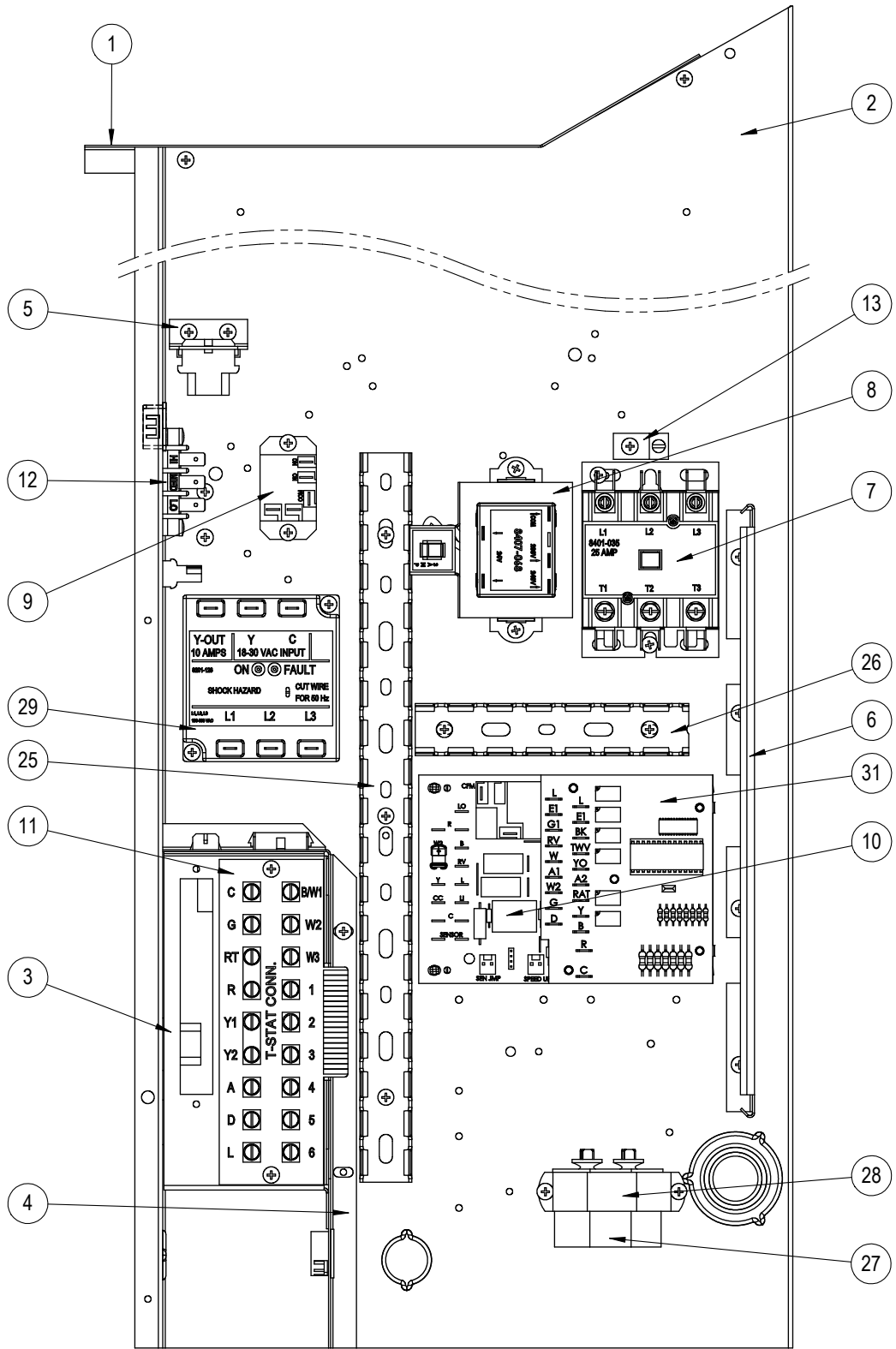
Dwg No.	Part Number	Description	W18HF-A	W24HF-A	W24HFDA
1	117X137BX	Control Panel Top - RH (Sheet Metal Only)	X	X	X
2	117X447BX	Control Panel - RH (Sheet Metal Only)	X	X	X
3	117X375BX	Low Voltage Box - RH (Sheet Metal Only)	X	X	X
4	117X385BX	Low Voltage Partition - RH (Sheet Metal Only)	X	X	X
NS	3000-1494BX	Low Voltage Wire Harness (behind LVTS)	X	X	X
NS	910-2047BX	Complete Low Voltage Box Assembly (Sheet Metal, LVTS & Wire Harness)	X	X	X
5	141-596BX	Plug Support Bracket (Sheet Metal)	X	X	X
6	135-122BX	Wire Shield (Sheet Metal)	X	X	X
7	8401-033BX	Contactors 2-Pole	X	X	X
8	8407-068BX	Transformer 208/240-24, 50VA	X	X	X
9	8201-130BX	Relay, SPDT	X	X	X
10	8620-223	Defrost Board Replacement Kit w/Sensor	X	X	X
11	8607-044BX	Terminal Strip	X	X	X
12	8607-042BX	Blower Speed Terminal	X	X	X
13	8611-006	Ground Lug	X	X	X
25	8611-140-1400	14" Cable Duct	X	X	X
26	8611-140-0500	5" Cable Duct	X	X	X
27	8552-047BX	Capacitor 30+5/370 V, 2-1/2" Round	X	X	X
28	8550-007	Capacitor Strap, 2" Round	X	X	X
31	8201-113BX	Dehumidification Logic Control Board			X
NS	3003-156BX	Main Control Panel Wire Harness	X	X	
NS	3003-159BX	Main Control Panel Wire Harness			X
NS	8201-086BX	LAC and/or ODT Relay (Opt.)	O	O	O
NS	8408-028BX	Outdoor Thermostat (Opt.)	O	O	O
NS	3000-1598BX	Blower Power Plug	X	X	X
NS	3000-1599BX	Blower Speed Plug	X	X	X
NS	4096-193	Wiring Diagram	X	X	
NS	4096-194	Wiring Diagram			X
NS	8615-035BX ①	Circuit Breaker 20A 2 Pole (Opt.)	X		
NS	8615-036BX ①	Circuit Breaker 25A 2 Pole (Opt.)		X	X

NS – Not Shown

X – Standard
O – Add-On Option

① Circuit breakers listed are for units without electric heat, "OZ" models. See heater replacement parts manual for units with electric heat.

CONTROL PANEL – 230 VOLT 3 PHASE UNITS



SEXP-988

CONTROL PANEL – 230 VOLT 3 PHASE UNITS

Dwg No.	Part Number	Description	W24HF-B	W24HFDB
1	117X137BX	Control Panel Top - RH (Sheet Metal Only)	X	X
2	117X447BX	Control Panel - RH (Sheet Metal Only)	X	X
3	117X375BX	Low Voltage Box - RH (Sheet Metal Only)	X	X
4	117X385BX	Low Voltage Partition - RH (Sheet Metal Only)	X	X
NS	3000-1494BX	Low Voltage Wire Harness (behind LVTS)	X	X
NS	910-2047BX	Complete Low Voltage Box Assembly (Sheet Metal, LVTS & Wire Harness)	X	X
5	141-596BX	Plug Support Bracket (Sheet Metal)	X	X
6	135-122BX	Wire Shield (Sheet Metal)	X	X
7	8401-035BX	Contactors 3-Pole	X	X
8	8407-068BX	Transformer 208/240-24, 50VA	X	X
9	8201-130BX	Relay, SPDT	X	X
10	8620-223	Defrost Board Replacement Kit w/Sensor	X	X
11	8607-044BX	Terminal Strip	X	X
12	8607-042BX	Blower Speed Terminal	X	X
13	8611-006	Ground Lug	X	X
25	8611-140-1400	14" Cable Duct	X	X
26	8611-140-0500	5" Cable Duct	X	X
27	8552-002BX	Capacitor 5/370 V, 1-1/4" Oval	X	X
28	8550-003	Capacitor Strap, 1-1/4" Oval	X	X
29	8201-174BX	3 Phase Line Monitor	X	X
31	8201-113BX	Dehumidification Logic Control Board		X
NS	3003-157BX	Main Control Panel Wire Harness	X	
NS	3003-160BX	Main Control Panel Wire Harness		X
NS	8201-086BX	LAC and/or ODT Accessory Relay (Opt.)	O	O
NS	8408-028BX	Outdoor Thermostat (Opt.)	O	O
NS	3000-1598BX	Blower Power Plug	X	X
NS	3000-1599BX	Blower Speed Plug	X	X
NS	4096-293	Wiring Diagram	X	
NS	4096-294	Wiring Diagram		X
NS	8615-054BX ①	Circuit Breaker 20A 3 Pole (Opt.)	X	X

NS – Not Shown

① Circuit breakers listed are for units without electric heat, "OZ" models. See heater replacement parts manual for units with electric heat.

X – Standard

O – Add-On Option

CONTROL PANEL – 460 VOLT 3 PHASE UNITS

Dwg No.	Part Number	Description	W24HF-C	W24HFDC
1	117X137BX	Control Panel Top - RH (Sheet Metal Only)	X	X
2	117X447BX	Control Panel - RH (Sheet Metal Only)	X	X
3	117X375BX	Low Voltage Box - RH (Sheet Metal Only)	X	X
4	117X385BX	Low Voltage Partition - RH (Sheet Metal Only)	X	X
NS	3000-1494BX	Low Voltage Wire Harness (behind LVTS)	X	X
NS	910-2047BX	Complete Low Voltage Box Assembly (Sheet Metal, LVTS & Wire Harness)	X	X
5	141-596BX	Plug Support Bracket (Sheet Metal)	X	X
6	135-122BX	Wire Shield (Sheet Metal)	X	X
7	8401-035BX	Contactors 3-Pole	X	X
8	8407-069BX	Transformer 480-24, 50VA	X	X
9	8201-032BX	Relay, SPDT, 3 FLA@480V	X	X
10	8620-223	Defrost Board Replacement Kit w/Sensor	X	X
11	8607-044BX	Terminal Strip	X	X
12	8607-042BX	Blower Speed Terminal	X	X
13	8611-006	Ground Lug	X	X
25	8611-140-1400	14" Cable Duct	X	X
26	8611-140-0500	5" Cable Duct	X	X
27	8552-002BX	Capacitor 5/370 V, 1-1/4" Oval	X	X
28	8550-003	Capacitor Strap, 1-1/4" Oval	X	X
29	8201-174BX	3 Phase Line Monitor	X	X
31	8201-113BX	Dehumidification Logic Control Board		X
NS	3003-158BX	Main Control Panel Wire Harness	X	
NS	3003-161BX	Main Control Panel Wire Harness		X
NS	8201-086BX	LAC and/or ODT Accessory Relay (Opt.)	O	O
NS	8408-028BX	Outdoor Thermostat (Opt.)	O	O
NS	3000-1598BX	Blower Power Plug	X	X
NS	3000-1599BX	Blower Speed Plug	X	X
NS	4096-393	Wiring Diagram	X	
NS	4096-394	Wiring Diagram		X
NS	8615-095BX ①	Toggle Disconnect (Opt.)	X	X

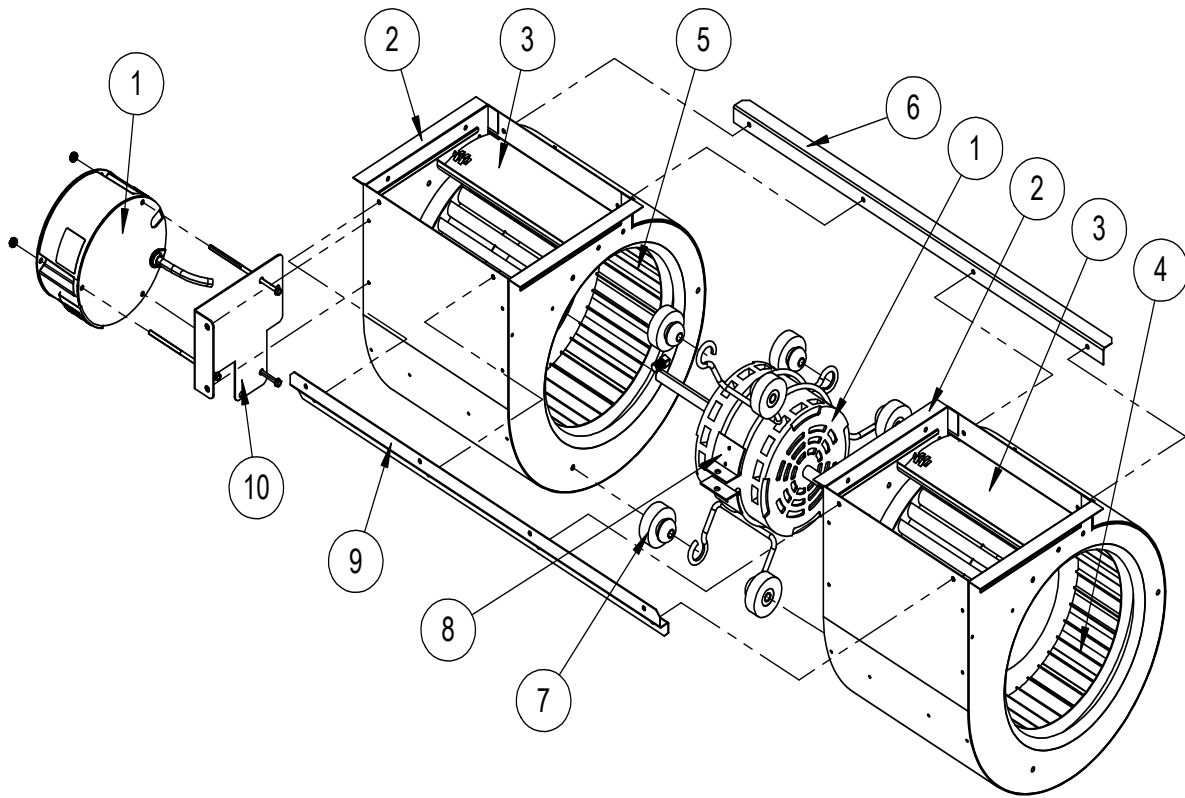
NS – Not Shown

① Circuit breakers listed are for units without electric heat, "OZ" models. See heater replacement parts manual for units with electric heat.

X – Standard

O – Add-On Option

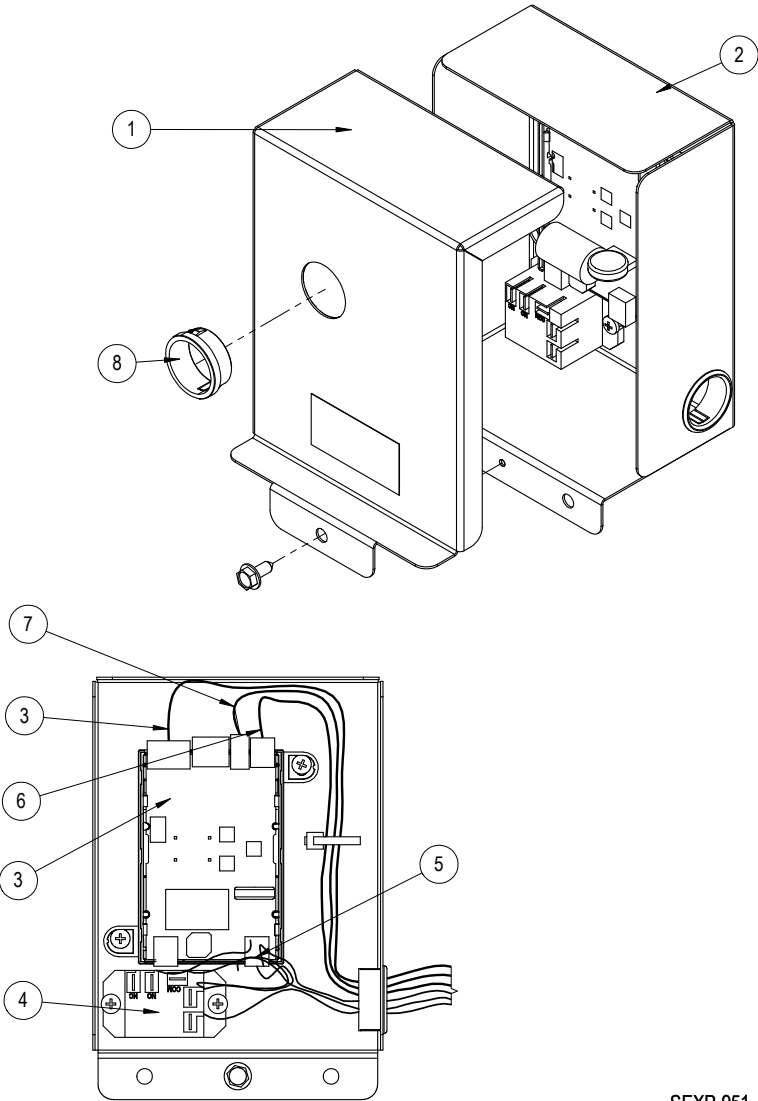
BLOWER ASSEMBLY



SEXP-909

Dwg No.	Part Number	Description	900-358-0168BX	900-358-0169BX	900-359-0170BX
1	8105-064-0168BX	Blower Motor & Control (230/208V)	X		
1	8105-064-0169BX	Blower Motor & Control (230/208V)		X	
1	8105-065-0170BX	Blower Motor & Control (460V)			X
2	151-115BX	Housing	2	2	2
3	144-183BX	Cutoff	X	X	X
4	5152-092BX	Wheel 9-6 CW	X	X	X
5	5152-093BX	Wheel 9-6 CCW	X	X	X
6	105-1061BX	Back Brace	X	X	X
7	5451-011	Grommets	6	6	6
8	8200-031BX	Motor Mount	X	X	X
9	103-435BX	Front Brace	X	X	X
10	113-721BX	Motor Control Bracket	X	X	X

EEV CONTROLLER ASSEMBLY



SEXP-951

910-2050-005BX

Dwg No.	Part Number	Description	
1	143-219BX	EEV Control Box Cover	X
2	127-572BX	EEV Control Box	X
3	8301-079-0005BX	EEV Control & Stator Cable	X
3	5651-246BX	EEV Stator Cable Only	X
4	8201-130BX	Control Relay	X
5	3000-1602BX	Main Wire Assembly	X
6	3000-1611BX	Transducer Wire Assembly – EEV Board to QC	X
7	8408-056BX	EEV Thermistor	X
8	8611-075	Clear Snap Plug	X