
REPLACEMENT PARTS MANUAL

WALL MOUNTED GAS/ELECTRIC

MODEL: **WG422D**
WG481D
WG601D

General Notes

- > Revised and/or additional pages may be issued from time to time.
- > A complete and current manual consists of pages shown in the following contents section.

Important

- > Contact the installing and/or local Bard distributor for all parts requirements. Make sure you have the complete model and serial number available from the unit rating plates.

Contents

<i>Description</i>	<i>Page</i>
Cabinet Components	
• Exploded View	1
• Usage List	2
• Usage List	3
• Usage List	4
• Usage List	5
• Usage List	6
• Usage List	7
• Blank Page	8
Functional Components	
• Exploded View	9
• Usage List	10
• Usage List	11
• Usage List	12
Functional Components	
• Exploded View	13
• Usage List	14
• Usage List	15
• Usage List	16
Control Panel	
• Layout	17
• Usage List	18
Blower Assembly	
• Exploded View	19
• Usage List	19

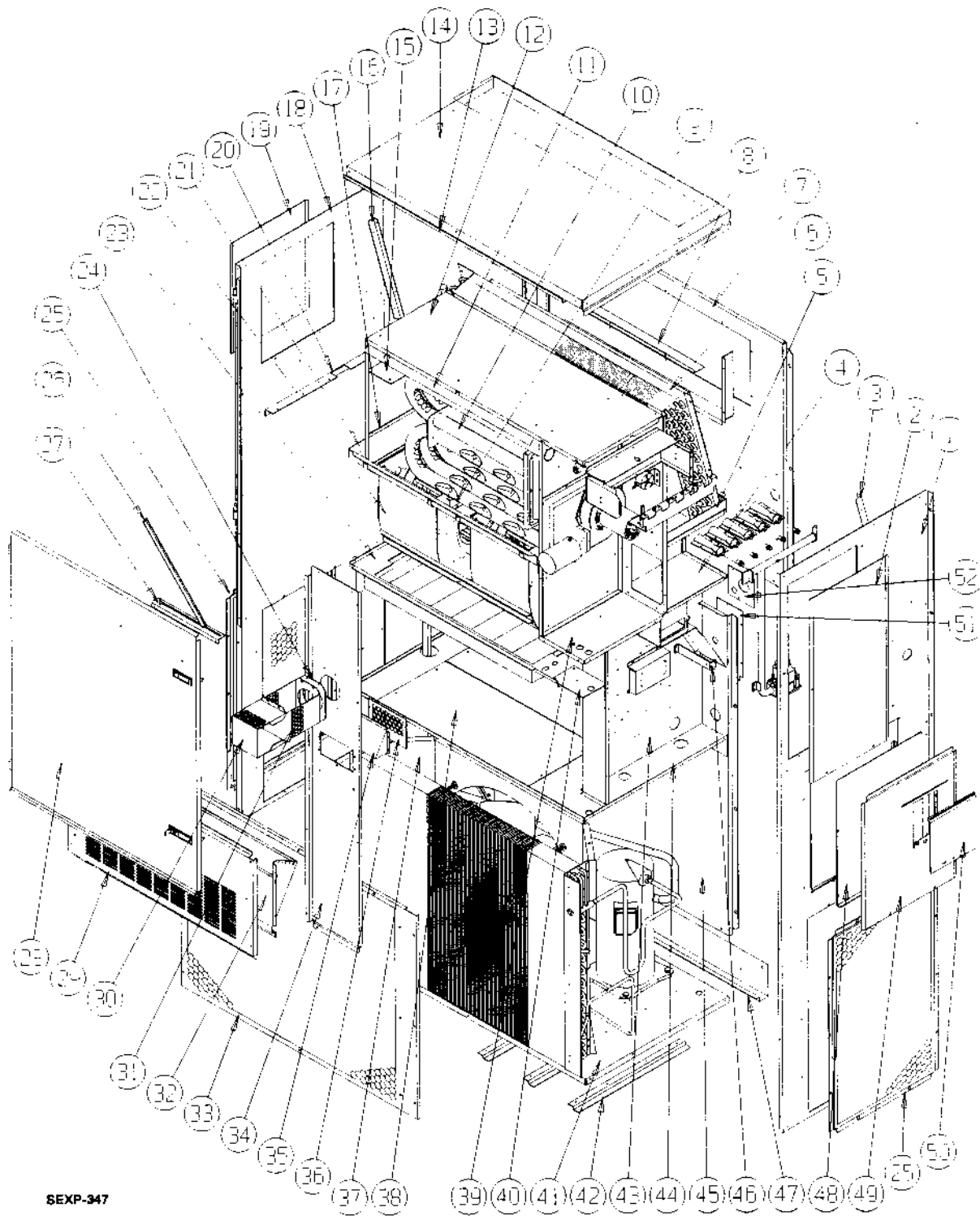


BARD MANUFACTURING COMPANY
Bryan, Ohio 43506
Since 1914...Moving ahead, just as planned.

Manual: 2110-804B
Supersedes: 2110-804A
File: Vol. III Tab 6
Date: 07-14-04

CLIMATE CONTROL SOLUTIONS

CABINET COMPONENTS



SEXP-347

This drawing to be used for reference for Pages 2, 3, 4, 5, 6 and 7.

CABINET COMPONENTS

Dwg No.	Part No.	Description	WG422DAXB	WG422DAXC	WG422DAXD	WG422DBXB	WG422DBXC	WG422DBXD	WG422DCXB	WG422DCXC	WG422DCXD
1	501-376-*	Right Side Assembly	X	X	X	X	X	X	X	X	X
2	S153-326-*	Vestibule Service Door	X	X	X	X	X	X	X	X	X
3	105X1073	Right Evaporator Support Angle	X	X	X	X	X	X	X	X	X
4	541-266	Right Drain Pan Support Assembly	X	X	X	X	X	X	X	X	X
5	523-103	Drain Pan Assembly	X	X	X	X	X	X	X	X	X
6	105-1080	Evaporator Coil Fill Angle	X	X	X	X	X	X	X	X	X
7	509-156	Upper Back	X	X	X	X	X	X	X	X	X
8	111-063	Supply Air Frame	2	2	2	2	2	2	2	2	2
9	103-439	Heat Exchanger Support Offset	X	X	X	X	X	X	X	X	X
10	Heat Exch Assy	See Burner Components Diagram									
11	105-1076	Top Heat Exchanger Deflector	X	X	X	X	X	X	X	X	X
12	135-183	Inner Air Baffle	X	X	X	X	X	X	X	X	X
13	165-563-*	Top Rain Channel	X	X	X	X	X	X	X	X	X
14	507-219-*	Top Assembly	X	X	X	X	X	X	X	X	X
15	135-184	Right Heat Exchanger Deflector	X	X	X	X	X	X	X	X	X
16	105Y1073	Left Evaporator Support Angle	X	X	X	X	X	X	X	X	X
17	105-1066	Lower Heat Exchanger Deflector	X	X	X	X	X	X	X	X	X
18	501-377-*	Left Side Assembly	X	X	X	X	X	X	X	X	X
19	543-070-*	Left Access Cover	X	X	X	X	X	X	X	X	X
20	105-1070	Left Support Angle	X	X	X	X	X	X	X	X	X
21	121-337	Blower Partition	X	X	X	X	X	X	X	X	X
22	900-249	Complete Blower Assembly - 230V	X	X	X	X	X				
22	900-251	Complete Blower Assembly - 460V						X	X	X	
23	131-134	Filter Tray	X	X	X	X	X	X	X	X	X
24	1921-051	Vent Terminal Gasket	X	X	X	X	X	X	X	X	X
25	118-057	Side Grille	2	2	2	2	2	2	2	2	2
26	105-1068	Door Stop Angle	X	X	X	X	X	X	X	X	X

Continued on page 3

* Exterior cabinet parts are manufactured with various paint color options. To insure that you receive the proper paint color, you must include the complete model and serial number of the unit for which cabinet parts are being ordered.

Refer to drawing on Page 1

CABINET COMPONENTS

Dwg No.	Part No.	Description	WG422DAXB	WG422DAXC	WG422DAXD	WG422DBXB	WG422DBXC	WG422DBXD	WG422DCXB	WG422DCXC	WG422DCXD
Continued from Page 2											
27	105-1069	Door Stop Slide	X	X	X	X	X	X	X	X	X
28	553-325-*	Front Door Assembly	X	X	X	X	X	X	X	X	X
29	553-327-*	Vent Option Door Assembly	X	X	X	X	X	X	X	X	X
30	169-119	Outer Vent Hood	X	X	X	X	X	X	X	X	X
31	169-120	Inner Vent Hood	X	X	X	X	X	X	X	X	X
32	538-135	Barometric Fresh Air Damper	X	X	X	X	X	X	X	X	X
33	118-048-*	Condenser Grille	X	X	X	X	X	X	X	X	X
34	549-095-*	Right Front Corner Assembly	X	X	X	X	X	X	X	X	X
35	135-181-*	Air Intake Hood	X	X	X	X	X	X	X	X	X
36	134-182-*	Air Intake Back	X	X	X	X	X	X	X	X	X
37	125-036	Fan Shroud	X	X	X	X	X	X	X	X	X
38	542-072	Condenser Partition Blank Off Plate	2	2	2	2	2	2	2	2	2
39	541-267	Heat Exchanger Support Assembly	X	X	X	X	X	X	X	X	X
40	142-071	Filter Blank Off Plate	X	X	X	X	X	X	X	X	X
41	127-302	Lower Base	X	X	X	X	X	X	X	X	X
42	103-438	Lower Base Offset	3	3	3	3	3	3	3	3	3
43	902-1139	Control Panel Assembly	X	X	X		X	X			
43	902-1140	Control Panel Assembly				X	X	X			
43	902-1141	Control Panel Assembly							X	X	X
44	521-338	Condenser Partition Assembly	X	X	X	X	X	X	X	X	X
45	509-157	Lower Back Assembly	X	X	X	X	X	X	X	X	X
46	113-268	Manifold Bracket	X	X	X	X	X	X	X	X	X
47	113-140	Bottom Support Bracket	X	X	X	X	X	X	X	X	X
48	133-163	Control Panel Cover (Inner)	X	X	X	X	X	X	X	X	X
49	S533-162-*	Control Panel Cover Assembly	X	X	X	X	X	X	X	X	X
50	153-328-*	Disconnect Access Door	X	X	X	X	X	X	X	X	X
51	156-029	Conduit Entrance Plate	X	X	X	X	X	X	X	X	X
52	134-193	Conduit Access Panel	X	X	X	X	X	X	X	X	X

* Exterior cabinet parts are manufactured with various paint color options. To insure that you receive the proper paint color, you must include the complete model and serial number of the unit for which cabinet parts are being ordered.

Refer to drawing on Page 1

CABINET COMPONENTS

Dwg No.	Part No.	Description	WG481DAXB	WG481DAXC	WG481DAXD	WG481DBXB	WG481DBXC	WG481DBXD	WG481DCXB	WG481DCXC	WG481DCXD
1	501-376-*	Right Side Assembly	X	X	X	X	X	X	X	X	X
2	S153-326-*	Vestibule Service Door	X	X	X	X	X	X	X	X	X
3	105X1073	Right Evaporator Support Angle	X	X	X	X	X	X	X	X	X
4	541-266	Right Drain Pan Support Assembly	X	X	X	X	X	X	X	X	X
5	523-103	Drain Pan Assembly	X	X	X	X	X	X	X	X	X
6	105-1080	Evaporator Coil Fill Angle	X	X	X	X	X	X	X	X	X
7	509-156	Upper Back	X	X	X	X	X	X	X	X	X
8	111-063	Supply Air Frame	2	2	2	2	2	2	2	2	2
9	103-439	Heat Exchanger Support Offset	X	X	X	X	X	X	X	X	X
10	Heat Exch Assy	See Burner Components Diagram									
11	105-1076	Top Heat Exchanger Deflector	X	X	X	X	X	X	X	X	X
12	135-183	Inner Air Baffle	X	X	X	X	X	X	X	X	X
13	165-563-*	Top Rain Channel	X	X	X	X	X	X	X	X	X
14	507-219-*	Top Assembly	X	X	X	X	X	X	X	X	X
15	135-184	Right Heat Exchanger Deflector	X	X	X	X	X	X	X	X	X
16	105Y1073	Left Evaporator Support Angle	X	X	X	X	X	X	X	X	X
17	105-1066	Lower Heat Exchanger Deflector	X	X	X	X	X				
18	501-377-*	Left Side Assembly	X	X	X	X	X	X	X	X	X
19	543-070-*	Left Access Cover	X	X	X	X	X	X	X	X	X
20	105-1070	Left Support Angle	X	X	X	X	X	X	X	X	X
21	121-337	Blower Partition	X	X	X	X	X	X	X	X	X
22	900-249	Complete Blower Assembly - 230V	X	X	X	X	X				
22	900-251	Complete Blower Assembly - 480V							X	X	X
23	131-134	Filter Tray	X	X	X	X	X	X	X	X	X
24	1921-051	Vent Terminal Gasket	X	X	X	X	X	X	X	X	X
25	118-057	Side Grille	2	2	2	2	2	2	2	2	2
26	105-1068	Door Stop Angle	X	X	X	X	X	X	X	X	X

Continued on page 5

- * Exterior cabinet parts are manufactured with various paint color options. To insure that you receive the proper paint color, you must include the complete model and serial number of the unit for which cabinet parts are being ordered.

Refer to drawing on Page 1

CABINET COMPONENTS

Dwg No.	Part No.	Description	WG481DAXB	WG481DAXC	WG481DAXD	WG481DBXB	WG481DBXC	WG481DBXD	WG481DCXB	WG481DCXC	WG481DCXD
Continued from Page 4											
27	105-1069	Door Stop Slide	X	X	X	X	X	X	X	X	X
28	553-325*	Front Door Assembly	X	X	X	X	X	X	X	X	X
29	553-327*	Vent Option Door Assembly	X	X	X	X	X	X	X	X	X
30	169-119	Outer Vent Hood	X	X	X	X	X	X	X	X	X
31	169-120	Inner Vent Hood	X	X	X	X	X	X	X	X	X
32	538-135	Barometric Fresh Air Damper	X	X	X	X	X	X	X	X	X
33	118-048*	Condenser Grille	X	X	X	X	X	X	X	X	X
34	549-095*	Right Front Corner Assembly	X	X	X	X	X	X	X	X	X
35	135-181*	Air Intake Hood	X	X	X	X	X	X	X	X	X
36	134-182*	Air Intake Back	X	X	X	X	X	X	X	X	X
37	125-036	Fan Shroud	X	X	X	X	X	X	X	X	X
38	542-072	Condenser Partition Blank Off Plate	2	2	2	2	2	2	2	2	2
39	541-267	Heat Exchanger Support Assembly	X	X	X	X	X	X	X	X	X
40	142-071	Filter Blank Off Plate	X	X	X	X	X	X	X	X	X
41	127-302	Lower Base	X	X	X	X	X	X	X	X	X
42	103-438	Lower Base Offset	3	3	3	3	3	3	3	3	3
43	902-1095	Control Panel Assembly	X	X	X		X	X			
43	902-1096	Control Panel Assembly				X	X	X			
43	902-1097	Control Panel Assembly							X	X	X
44	521-338	Condenser Partition Assembly	X	X	X	X	X	X	X	X	X
45	509-157	Lower Back Assembly	X	X	X	X	X	X	X	X	X
46	113-268	Manifold Bracket	X	X	X	X	X	X	X	X	X
47	113-140	Bottom Support Bracket	X	X	X	X	X	X	X	X	X
48	133-163	Control Panel Cover (Inner)	X	X	X	X	X	X	X	X	X
49	S533-162*	Control Panel Cover Assembly	X	X	X	X	X	X	X	X	X
50	153-328*	Disconnect Access Door	X	X	X	X	X	X	X	X	X
51	156-029	Conduit Entrance Plate	X	X	X	X	X	X	X	X	X
52	134-193	Conduit Access Panel	X	X	X	X	X	X	X	X	X

* Exterior cabinet parts are manufactured with various paint color options. To insure that you receive the proper paint color, you must include the complete model and serial number of the unit for which cabinet parts are being ordered.

Refer to drawing on Page 1

CABINET COMPONENTS

Dwg No.	Part No.	Description	WG601DAXB	WG601DAXC	WG601DAXD	WG601DBXB	WG601DBXC	WG601DBXD	WG601DCXB	WG601DCXC	WG601DCXD
1	501-376-*	Right Side Assembly	X	X	X	X	X	X	X	X	X
2	S153-326-*	Vestibule Service Door	X	X	X	X	X	X	X	X	X
3	105X1073	Right Evaporator Support Angle	X	X	X	X	X	X	X	X	X
4	541-266	Right Drain Pan Support Assembly	X	X	X	X	X	X	X	X	X
5	523-103	Drain Pan Assembly	X	X	X	X	X	X	X	X	X
6	105-1080	Evaporator Coil Fill Angle	X	X	X	X	X	X	X	X	X
7	509-156	Upper Back	X	X	X	X	X	X	X	X	X
8	111-063	Supply Air Frame	2	2	2	2	2	2	2	2	2
9	103-439	Heat Exchanger Support Offset	X	X	X	X	X	X	X	X	X
10	Heat Exch Assy	See Burner Components Diagram									
11	105-1076	Top Heat Exchanger Deflector	X	X	X	X	X	X	X	X	X
12	135-183	Inner Air Baffle	X	X	X	X	X	X	X	X	X
13	165-563-*	Top Rain Channel	X	X	X	X	X	X	X	X	X
14	507-219-*	Top Assembly	X	X	X	X	X	X	X	X	X
15	135-184	Right Heat Exchanger Deflector	X	X	X	X	X	X	X	X	X
16	105Y1073	Left Evaporator Support Angle	X	X	X	X	X	X	X	X	X
17	105-1066	Lower Heat Exchanger Deflector	X	X	X	X	X	X	X	X	X
18	501-377-*	Left Side Assembly	X	X	X	X	X	X	X	X	X
19	543-070-*	Left Access Cover	X	X	X	X	X	X	X	X	X
20	105-1070	Left Support Angle	X	X	X	X	X	X	X	X	X
21	121-337	Blower Partition	X	X	X	X	X	X	X	X	X
22	900-249	Complete Blower Assembly - 230V	X	X	X	X	X				
22	900-251	Complete Blower Assembly - 460V						X	X	X	
23	131-134	Filter Tray	X	X	X	X	X	X	X	X	X
24	1921-051	Vent Terminal Gasket	X	X	X	X	X	X	X	X	X
25	118-057	Side Grille	2	2	2	2	2	2	2	2	2
26	105-1068	Door Stop Angle	X	X	X	X	X	X	X	X	X

Continued on page 7

* Exterior cabinet parts are manufactured with various paint color options. To insure that you receive the proper paint color, you must include the complete model and serial number of the unit for which cabinet parts are being ordered.

Refer to drawing on Page 1

CABINET COMPONENTS

Dwg No.	Part No.	Description	WG601DAXB	WG601DAXC	WG601DAXD	WG601DBXB	WG601DBXC	WG601DBXD	WG601DCXB	WG601DCXC	WG601DCXD
Continued from Page 6											
27	105-1069	Door Stop Slide	X	X	X	X	X	X	X	X	X
28	553-325-*	Front Door Assembly	X	X	X	X	X	X	X	X	X
29	553-327-*	Vent Option Door Assembly	X	X	X	X	X	X	X	X	X
30	169-119	Outer Vent Hood	X	X	X	X	X	X	X	X	X
31	169-120	Inner Vent Hood	X	X	X	X	X	X	X	X	X
32	538-135	Barometric Fresh Air Damper	X	X	X	X	X	X	X	X	X
33	118-048-*	Condenser Grille	X	X	X	X	X	X	X	X	X
34	549-095-*	Right Front Corner Assembly	X	X	X	X	X	X	X	X	X
35	135-181-*	Air Intake Hood	X	X	X	X	X	X	X	X	X
36	134-182-*	Air Intake Back	X	X	X	X	X	X	X	X	X
37	125-036	Fan Shroud	X	X	X	X	X	X	X	X	X
38	542-072	Condenser Partition Blank Off Plate	2	2	2	2	2	2	2	2	2
39	541-267	Heat Exchanger Support Assembly	X	X	X	X	X	X	X	X	X
40	142-071	Filter Blank Off Plate	X	X	X	X	X	X	X	X	X
41	127-302	Lower Base	X	X	X	X	X	X	X	X	X
42	103-438	Lower Base Offset	3	3	3	3	3	3	3	3	3
43	902-1098	Control Panel Assembly	X	X	X		X	X			
43	902-1099	Control Panel Assembly				X	X	X			
43	902-1100	Control Panel Assembly							X	X	X
44	521-338	Condenser Partition Assembly	X	X	X	X	X	X	X	X	X
45	509-157	Lower Back Assembly	X	X	X	X	X	X	X	X	X
46	113-268	Manifold Bracket	X	X	X	X	X	X	X	X	X
47	113-140	Bottom Support Bracket	X	X	X	X	X	X	X	X	X
48	133-163	Control Panel Cover (Inner)	X	X	X	X	X	X	X	X	X
49	S533-162-*	Control Panel Cover Assembly	X	X	X	X	X	X	X	X	X
50	153-328-*	Disconnect Access Door	X	X	X	X	X	X	X	X	X
51	156-029	Conduit Entrance Plate	X	X	X	X	X	X	X	X	X
52	134-193	Conduit Access Panel	X	X	X	X	X	X	X	X	X

* Exterior cabinet parts are manufactured with various paint color options. To insure that you receive the proper paint color, you must include the complete model and serial number of the unit for which cabinet parts are being ordered.

Refer to drawing on Page 1

This page left blank intentionally

SEXP-308

FUNCTIONAL COMPONENTS

Dwg No.	Part No.	Description	WG422DAXB	WG422DAXC	WG422DAXD	WG422DBXB	WG422DBXC	WG422DBXD	WG422DCXB	WG422DCXC	WG422DCXD
1	8408-038	Freeze Thermostat	X	X	X	X	X	X	X	X	X
2	5625-008	Distributor	X	X	X	X	X	X	X	X	X
3	5651-078	Expansion Valve	X	X	X	X	X	X	X	X	X
4	5400-005	Metal Lift-Off Hinge	2	2	2	2	2	2	2	2	2
5	1171-050	Weather Cover for Latch 1171-048	X	X	X	X	X	X	X	X	X
6	1171-048	Black Non-Lockable Latch	X	X	X	X	X	X	X	X	X
7	900-249	Complete Blower Assembly 230/208	X	X	X	X	X				
7	900-251	Complete Blower Assembly 460V							X	X	X
9	7004-027	20 x 30 x 2 Pleated Filter (standard)	X	X	X	X	X	X	X	X	X
9	7003-030	20 x 30 x 1 AF Filter (optional)	X	X	X	X	X	X	X	X	X
10	1171-051	Weather Cover for Latch 1171-049	X	X	X	X	X	X	X	X	X
11	1171-049	Black Lockable Latch	X	X	X	X	X	X	X	X	X
12	5151-054	Fan Blade	X	X	X	X	X	X	X	X	X
13	5051-078	Coil	X	X	X	X	X	X	X	X	X
15	1804-0106	High Pressure Switch (Flare)	X	X	X	X	X	X	X	X	X
16	8000-253	Compressor ZR42KC-PFV	X	X	X						
16	8000-205	Compressor ZR42K3-TF5				X	X	X			
16	8000-206	Compressor ZR42K3-TFD							X	X	X
17	5651-036	Check Valve	X	X	X	X	X	X	X	X	X
18	5650-037	Molded Plug	X	X	X	X	X	X	X	X	X
19	5650-036	Three Way Valve with Solenoid	X	X	X	X	X	X	X	X	X
20	1804-0107	Low Pressure Switch - Opt. - (Flare)	X	X	X	X	X	X	X	X	X
21	8105-039	Motor 230/208V	X	X	X	X	X				
21	8105-030	Motor 460V							X	X	X
22	800-0304	Capillary Tube Assembly	X	X	X	X	X	X	X	X	X
23	8200-004	Fan Motor Mount	X	X	X	X	X	X	X	X	X
24	3000-1121	Wire Assembly	X	X	X	X	X				
24	3000-1124	Wire Assembly							X	X	X
25	8600-011	Suppression Ignition Cable	X	X	X	X	X	X	X	X	X
26	8109-014	Induced Draft Blower 230V	X	X	X	X	X				
26	8109-015	Induced Draft Blower 460V							X	X	X
28	8406-103	.55" ± .05" Pressure Switch	X	X	X	X	X	X	X	X	X
29	8402-117	Limit Control L215-30 3"	X			X			X		
29	8402-123	Limit Control L180-30 3"		X			X			X	
29	8402-107	Limit Control L155-30 3"			X			X			X
30	Heat Exch.	See Burner Components Diagram	X	X	X	X	X	X	X	X	X
31	5060-106	Coil	X	X	X	X	X	X	X	X	X

Opt = Optional

Refer to drawing on Page 9

FUNCTIONAL COMPONENTS

Dwg No.	Part No.	Description	WG481DAXB	WG481DAXC	WG481DAXD	WG481DBXB	WG481DBXC	WG481DBXD	WG481DCXB	WG481DCXC	WG481DCXD
1	8408-038	Freeze Thermostat	X	X	X	X	X	X	X	X	X
2	5625-008	Distributor	X	X	X	X	X	X	X	X	X
3	5651-181	Expansion Valve	X	X	X	X	X	X	X	X	X
4	5400-005	Metal Lift-Off Hinge	2	2	2	2	2	2	2	2	2
5	1171-050	Weather Cover for Latch 1171-048	X	X	X	X	X	X	X	X	X
6	1171-048	Black Non-Lockable Latch	X	X	X	X	X	X	X	X	X
7	900-249	Complete Blower Assembly 230/208	X	X	X	X	X	X			
7	900-251	Complete Blower Assembly 460V							X	X	X
9	7004-027	20 x 30 x 2 Pleated Filter (standard)	X	X	X	X	X	X	X	X	X
9	7003-030	20 x 30 x 1 AF Filter (optional)	X	X	X	X	X	X	X	X	X
10	1171-051	Weather Cover for Latch 1171-049	X	X	X	X	X	X	X	X	X
11	1171-049	Black Lockable Latch	X	X	X	X	X	X	X	X	X
12	5151-054	Fan Blade	X	X	X	X	X	X	X	X	X
13	5051-074	Coil	X	X	X	X	X	X	X	X	X
15	1804-0106	High Pressure Switch (Flare)	X	X	X	X	X	X	X	X	X
16	8000-236	Compressor ZR47KC-PFV	X	X	X						
16	8000-221	Compressor ZR47KC-TF5				X	X	X			
16	8000-222	Compressor ZR47KC-TFD							X	X	X
17	5651-036	Check Valve	X	X	X	X	X	X	X	X	X
18	5650-037	Molded Plug	X	X	X	X	X	X	X	X	X
19	5650-036	Three Way Valve with Solenoid	X	X	X	X	X	X	X	X	X
20	1804-0107	Low Pressure Switch - Opt. - (Flare)	X	X	X	X	X	X	X	X	X
21	8105-039	Motor 230/208V	X	X	X	X	X	X			
21	8105-030	Motor 460V							X	X	X
22	800-0304	Capillary Tube Assembly	X	X	X	X	X	X	X	X	X
23	8200-004	Fan Motor Mount	X	X	X	X	X	X	X	X	X
24	3000-1121	Wire Assembly	X	X	X	X	X	X			
24	3000-1124	Wire Assembly							X	X	X
25	8600-011	Suppression Ignition Cable	X	X	X	X	X	X	X	X	X
26	8109-014	Induced Draft Blower 230V	X	X	X	X	X	X			
26	8109-015	Induced Draft Blower 480V							X	X	X
28	8406-103	.55" ± .05" Pressure Switch	X	X	X	X	X	X	X	X	X
29	8402-117	Limit Control L215-30 3"	X			X			X		
29	8402-123	Limit Control L180-30 3"		X			X			X	
29	8402-107	Limit Control L155-30 3"			X			X			X
30	Heat Exch.	See Burner Components Diagram	X	X	X	X	X	X	X	X	X
31	5060-106	Coil	X	X	X	X	X	X	X	X	X
32	5051-102	Reheat Coil	X	X	X	X	X	X	X	X	X

Opt. = Optional

Refer to drawing on Page 9

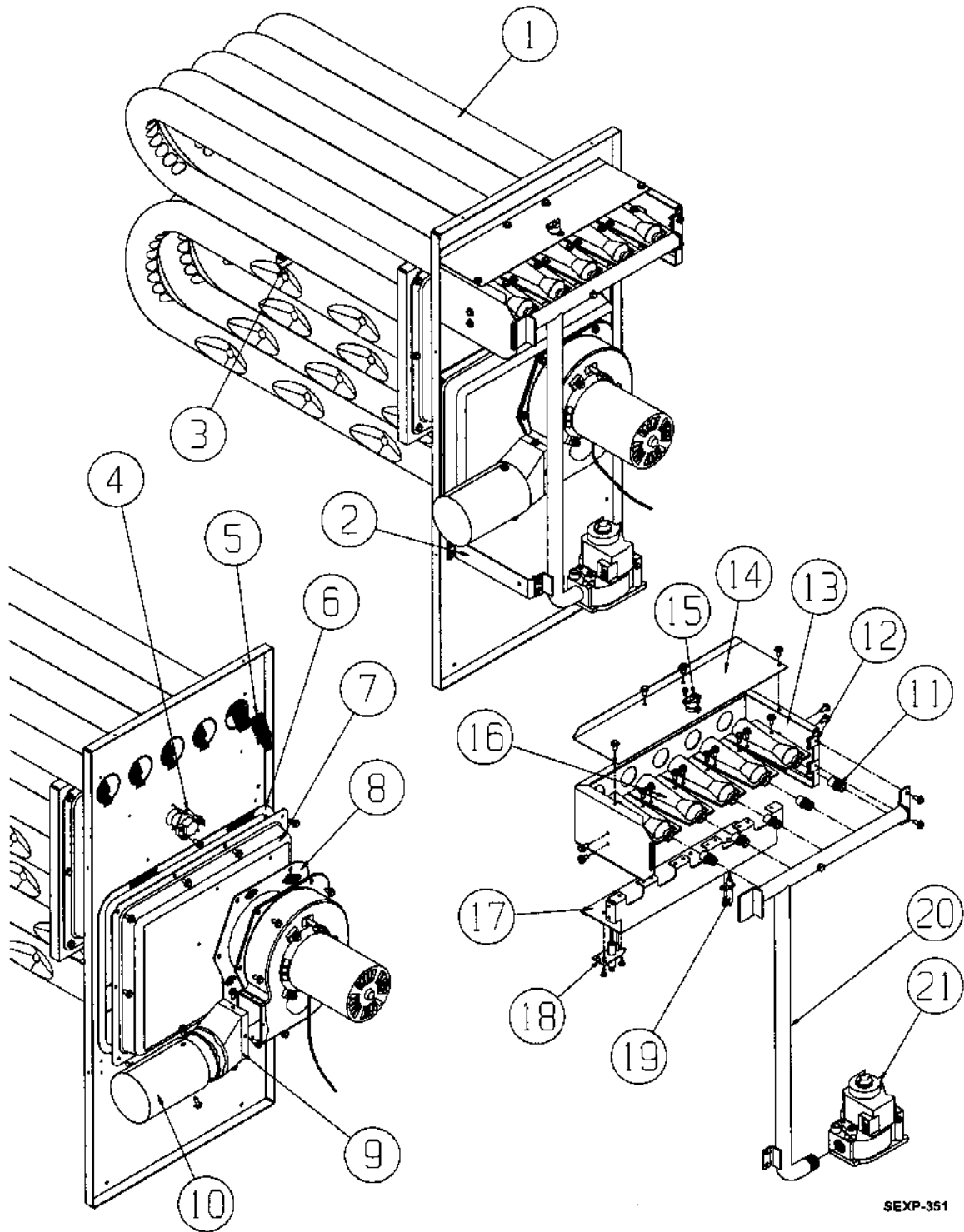
FUNCTIONAL COMPONENTS

Dwg No.	Part No.	Description	WG601DAXB	WG601DAXC	WG601DAXD	WG601DBXB	WG601DBXC	WG601DBXD	WG601DCXB	WG601DCXC	WG601DCXD
1	8408-038	Freeze Thermostat	X	X	X	X	X	X	X	X	X
2	5625-036	Distributor	X	X	X	X	X	X	X	X	X
3	5651-131	Expansion Valve	X	X	X	X	X	X	X	X	X
4	5400-005	Metal Lift-Off Hinge	2	2	2	2	2	2	2	2	2
5	1171-050	Weather Cover for Latch 1171-048	X	X	X	X	X	X	X	X	X
6	1171-048	Black Non-Lockable Latch	X	X	X	X	X	X	X	X	X
7	900-249	Complete Blower Assembly 230/208	X	X	X	X	X				
7	900-251	Complete Blower Assembly 460V							X	X	X
9	7004-027	20 x 30 x 2 Pleated Filter (standard)	X	X	X	X	X	X	X	X	X
9	7003-030	20 x 30 x 1 AF Filter (optional)	X	X	X	X	X	X	X	X	X
10	1171-051	Weather Cover for Latch 1171-049	X	X	X	X	X	X	X	X	X
11	1171-049	Black Lockable Latch	X	X	X	X	X	X	X	X	X
12	5151-054	Fan Blade	X	X	X	X	X	X	X	X	X
13	5051-074	Coil	X	X	X	X	X	X	X	X	X
15	1804-0106	High Pressure Switch Flare	X	X	X	X	X	X	X	X	X
16	8000-153	Compressor ZR61K3-PFV	X	X	X						
16	8000-154	Compressor ZR61K3-TF5				X	X	X			
16	8000-155	Compressor ZR61K3-TFD							X	X	X
17	5651-036	Check Valve	X	X	X	X	X	X	X	X	X
18	5650-037	Molded Plug	X	X	X	X	X	X	X	X	X
19	5650-036	Three Way Valve with Solenoid	X	X	X	X	X	X	X	X	X
20	1804-0107	Low Pressure Switch - Opt. - (Flare)	X	X	X	X	X	X	X	X	X
21	8105-039	Motor 230/208V	X	X	X	X	X				
21	8105-030	Motor 460V							X	X	X
22	800-0304	Capillary Tube Assembly	X	X	X	X	X	X	X	X	X
23	8200-004	Fan Motor Mount	X	X	X	X	X	X	X	X	X
24	3000-1121	Wire Assembly	X	X	X	X	X				
24	3000-1124	Wire Assembly							X	X	X
25	8600-011	Suppression Ignition Cable	X	X	X	X	X	X	X	X	X
26	8109-014	Induced Draft Blower 230V	X	X	X	X	X				
26	8109-015	Induced Draft Blower 460V							X	X	X
28	8406-103	.55" ± .05" Pressure Switch	X	X	X	X	X	X	X	X	X
29	8402-117	Limit Control L215-30 3"	X			X			X		
29	8402-123	Limit Control L180-30 3"		X			X			X	
29	8402-107	Limit Control L155-30 3"			X			X			X
30	Heat Exch.	See Burner Components Diagram	X	X	X	X	X	X	X	X	X
31	5060-105	Coil	X	X	X	X	X	X	X	X	X
32	5051-102	Reheat Coil	X	X	X	X	X	X	X	X	X

Opt. = Optional

Refer to drawing on Page 9

BURNER COMPONENTS



SEXP-351

This drawing to be used for reference for Pages 14, 15 and 16.

BURNER COMPONENTS

Dwg No.	Part No.	Description	WG422D*XB	WG422D*NB	WG422D*XC	WG422D*NC	WG422D*XD	WG422D*ND
1	170-243	Heat Exchanger Assembly 75K	X	X				
1	170-245	Heat Exchanger Assembly 100K			X	X		
1	170-246	Heat Exchanger Assembly 125K					X	X
2	113-268	Manifold Bracket	X	X	X	X	X	X
3	S141-272	Tube Center Support	X	X				
3	S141-273	Tube Center Support			X	X		
3	S141-274	Tube Center Support					X	X
4	8402-115	Limit Control L280-30	X	X	X	X		
4	8402-116	Limit Control L300-30					X	X
5	9010-083	NOx Screen		3		4		5
6	1921-025-4600	46" Glas-Tak Tape	X	X	X	X	X	X
7	168-126	Collector Box	X	X				
7	168-127	Collector Box			X	X		
7	168-128	Collector Box					X	X
8	1921-044	Gasket Set	X	X	X	X	X	X
9	5809-013	3" Cast Inducer Transition	X	X	X	X	X	X
10	5809-017	3.031" x 4.625" Transition	X	X	X	X	X	X
11	9010-079	Orifice 2.40mm (.0960 dia.)	3	3	4	4	5	5
11	9010-082	Orifice 2.30mm (10% derate)	3	3	4	4	5	5
12	1012-314	U Clip Fastener	4	4	4	4	4	4
13	163-042	Burner Box	X	X				
13	163-044	Burner Box			X	X		
13	163-046	Burner Box					X	X
14	141-268	Flame Rollout Support	X	X				
14	141-269	Flame Rollout Support			X	X		
14	141-270	Flame Rollout Support					X	X
15	8402-124	Flame Rollout Switch L270	X	X	X	X	X	X
16	9010-078	In-Shot Burner 2.5 x 4.5	3	3	4	4	5	5
17	163-041	Burner Support	X	X				
17	163-043	Burner Support			X	X		
17	163-045	Burner Support					X	X
18	8554-024	DSI Spark Igniter	X	X	X	X	X	X
19	8554-025	Flame Sensor	X	X	X	X	X	X
20	5818-054	3-Hole Gas Manifold - 1/2"	X	X				
20	5818-055	4-Hole Gas Manifold - 1/2"			X	X		
20	5818-056	5-Hole Gas Manifold - 1/2"					X	X
21	5651-160	Natural Gas Valve 1/2 x 1/2	X	X	X	X	X	X

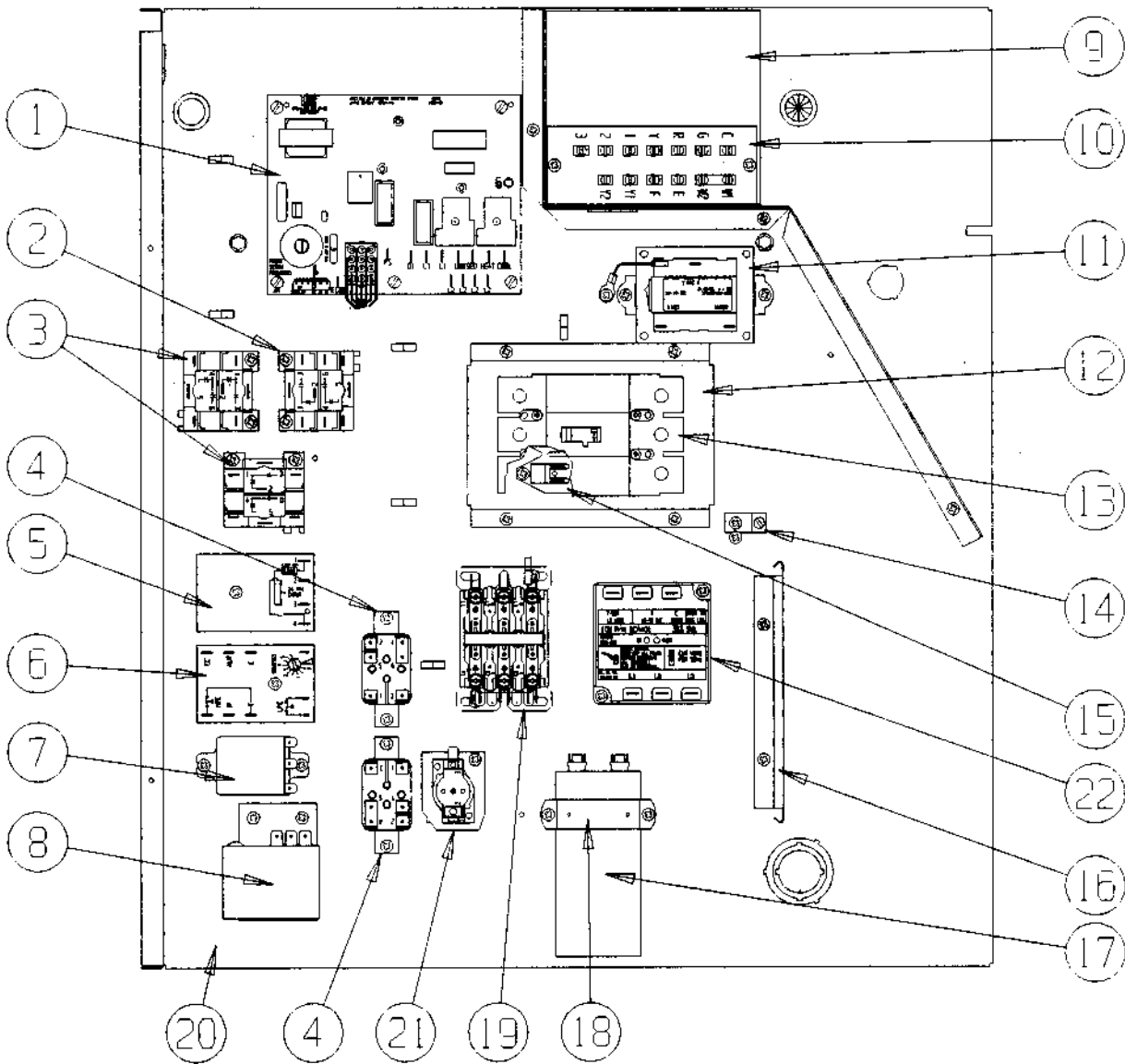
Refer to drawing on Page 13

BURNER COMPONENTS

Dwg No.	Part No.	Description	WG601D*XB	WG601D*NB	WG601D*XC	WG601D*NC	WG601D*XD	WG601D*ND
1	170-243	Heat Exchanger Assembly 75K	X	X				
1	170-245	Heat Exchanger Assembly 100K			X	X		
1	170-246	Heat Exchanger Assembly 125K					X	X
2	113-268	Manifold Bracket	X	X	X	X	X	X
3	S141-272	Tube Center Support	X	X				
3	S141-273	Tube Center Support			X	X		
3	S141-274	Tube Center Support					X	X
4	8402-115	Limit Control L280-30	X	X	X	X		
4	8402-116	Limit Control L300-30					X	X
5	9010-083	NOx Screen		3		4		5
6	1921-025-4600	46" Glas-Tak Tape	X	X	X	X	X	X
7	168-126	Collector Box	X	X				
7	168-127	Collector Box			X	X		
7	168-128	Collector Box					X	X
8	1921-044	Gasket Set	X	X	X	X	X	X
9	5809-013	3" Cast Inducer Transition	X	X	X	X	X	X
10	5809-017	3.031" x 4.625" Transition	X	X	X	X	X	X
11	9010-079	Orifice 2.40mm (.0960 dia.)	3	3	4	4	5	5
11	9010-082	Orifice 2.30mm (10% derate)	3	3	4	4	5	5
12	1012-314	U Clip Fastener	4	4	4	4	4	4
13	163-042	Burner Box	X	X				
13	163-044	Burner Box			X	X		
13	163-046	Burner Box					X	X
14	141-268	Flame Rollout Support	X	X				
14	141-269	Flame Rollout Support			X	X		
14	141-270	Flame Rollout Support					X	X
15	8402-124	Flame Rollout Switch L270	X	X	X	X	X	X
16	9010-078	In-Shot Burner 2.5 x 4.5	3	3	4	4	5	5
17	163-041	Burner Support	X	X				
17	163-043	Burner Support			X	X		
17	163-045	Burner Support					X	X
18	8554-024	DSI Spark Igniter	X	X	X	X	X	X
19	8554-025	Flame Sensor	X	X	X	X	X	X
20	5818-054	3-Hole Gas Manifold - 1/2"	X	X				
20	5818-055	4-Hole Gas Manifold - 1/2"			X	X		
20	5818-056	5-Hole Gas Manifold - 1/2"					X	X
21	5651-160	Natural Gas Valve 1/2 x 1/2	X	X	X	X	X	X

Refer to drawing on Page 13

CONTROL PANEL



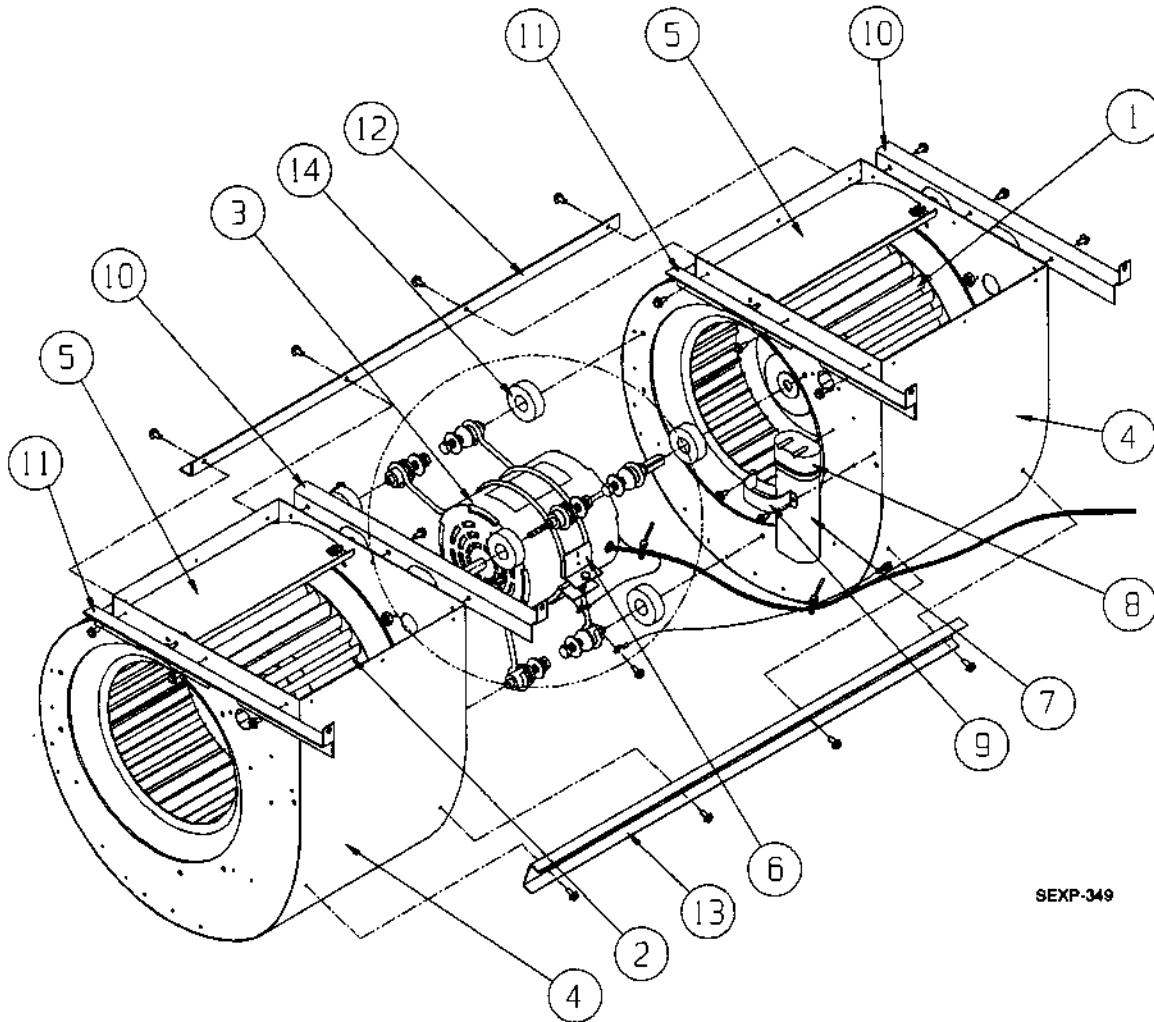
SEXP-383

CABINET COMPONENTS

Dwg No.	Part No.	Description	WG422DA	WG422DB	WG422DC	WG481DA	WG481DC	WG481DB	WG601DA	WG601DB	WG601DC
1	5651-159	Integrated Furnace Control	X	X	X	X	X	X	X	X	X
2	8201-086	460 Volt Relay DPDT			X			X			X
3	8201-032	460 Volt Relay SPDT			2			2			2
4	8201-062	Control Relay	2	2	2	2	2	2	2	2	2
5	8201-089	Time Delay Relay #1	X	X	X	X	X	X	X	X	X
6	8201-088	Compressor Control Module	X	X	X	X	X	X	X	X	X
7	8201-071	Control Relay #1	X	X	X	X	X	X	X	X	X
8	8408-037	Return Air Thermostat	X	X	X	X	X	X	X	X	X
9	117-248	Low Voltage Box	X	X	X	X	X	X	X	X	X
10	8607-024	Terminal Strip	X	X	X	X	X	X	X	X	X
11	8407-048	Transformer 65 VA 208/240-24V	X	X		X	X		X	X	
11	8407-050	Transformer 65 VA 480-24V			X			X			X
12	113-269	Circuit Breaker Mounting Base	X	X	X	X	X	X	X	X	X
13	8615-042	Circuit Breaker, 35A, 3-Pole 240V		X			X				
13	8615-082	Circuit Breaker, 15A, 3-Pole 480V			X						
13	8615-040	Circuit Breaker, 50A, 2-Pole 240V	X			X		X			
13	8615-041	Circuit Breaker, 60A, 2-Pole 240V							X		
13	8615-044	Circuit Breaker, 45A, 3-Pole 240V								X	
13	8615-063	Circuit Breaker, 20A, 3-Pole 480V									X
14	8611-006	Ground Terminal	X	X	X	X	X	X	X	X	X
15	8615-057	Circuit Breaker Mounting Feet	2	2		2	2		2	2	
15	8605-008	Circuit Breaker Mounting Feet			X			X			X
16	135-130	Wire Shield	X	X	X	X	X	X	X	X	X
17	8552-055	Capacitor 40+10 mfd 440 V	X			X					
17	8552-005	Capacitor 10 mfd 370 V		X	X		X	X		X	X
17	8552-058	Capacitor 80+10 mfd 440 V							X		
18	8550-008	Capacitor Bracket	X			X			X		
18	8550-003	Capacitor Bracket		X	X		X	X		X	X
19	8401-025	Compressor Contactor, 2 Pole, 40A	X			X			X		
19	8401-002	Compressor Contactor, 3 Pole, 25A		X	X		X	X		X	X
20	517-233	Control Panel	X	X	X	X	X	X	X	X	X
21	8201-045	Time Delay Relay #2	X	X	X	X	X	X	X	X	X
22	8201-085	3 Phase Line Monitor		X	X		X	X		X	X
NS	4085-128	Wiring Diagram	X								
NS	4085-228	Wiring Diagram		X							
NS	4085-325	Wiring Diagram			X						
NS	4085-124	Wiring Diagram				X			X		
NS	4085-224	Wiring Diagram					X			X	
NS	4085-321	Wiring Diagram						X			X

NS - Not Shown

BLOWER ASSEMBLY



SEXP-349

Dwg. No.	Part No.	Description	900-249	900-251
1	5152-012	Blower Wheel 10-8	X	X
2	5152-011	Blower Wheel 10-8	X	X
3	8106-038	Motor 230/208 V	X	
3	8106-039	Motor 460 V		X
4	151-101	Blower Housing	2	2
5	144-166	Diffuser	2	2
6	8200-040	Motor Mount	X	X
7	8552-005	Capacitor 10 mfd 370V	X	X
8	8611-002	Capacitor Boot	X	X
9	8550-003	Capacitor Bracket	X	X
10	105X1075	Angle - Right	2	2
11	105Y1075	Angle - Left	2	2
12	105-881	Angle - Back	X	X
13	165-564	Channel - Front	X	X
14	5451-011	Grommets	3	3