
REPLACEMENT PARTS MANUAL

WALL MOUNTED GAS/ELECTRIC

Models:

W42G3-A W48G3-A W60G3-A
W42G3-B W48G3-B W60G3-B
W42G3-C W48G3-C W60G3-C

Contents

| <i>Description</i> | <i>Page</i> |
|-----------------------|-------------|
| Cabinet Components | |
| ♦ Exploded View | 2 |
| ♦ Usage List | 3 |
| ♦ Usage List | 4 |
| Functional Components | |
| ♦ Exploded View | 6 |
| ♦ Usage List | 7 |
| ♦ Usage List | 8 |
| ♦ Usage List | 9 |
| Burner Components | |
| ♦ Exploded View | 10 |
| ♦ Usage List | 11 |
| ♦ Usage List | 12 |
| ♦ Usage List | 13 |
| Control Panel | |
| ♦ Exploded View | 14 |
| ♦ Usage List | 15 |
| Blower Assembly | |
| ♦ Exploded View | 16 |
| ♦ Usage List | 16 |

General Notes

- Revised and/or additional pages may be issued from time to time.
- A complete and current manual consists of pages shown in the following contents section.

Important

- Contact the installing and/or local Bard distributor for all parts requirements. Make sure you have the complete model and serial number available from the unit rating plates.

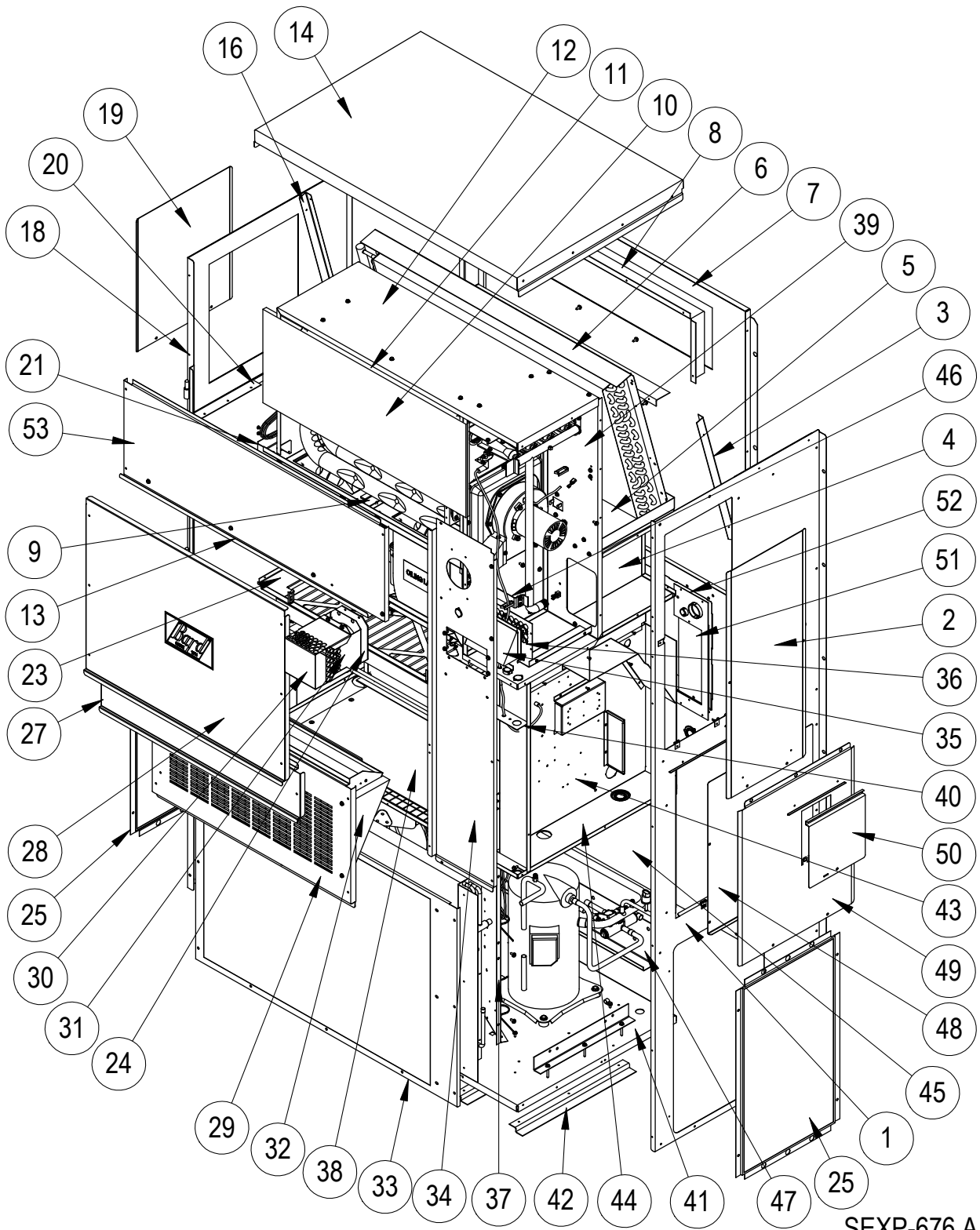


Climate Control Solutions

Bard Manufacturing Company, Inc.
Bryan, Ohio 43506
www.bardhvac.com

Manual: 2110-818A
Supersedes: 2110-818
Date: 5-2-17

CABINET COMPONENTS



SEXP-676 A

This drawing to be used for reference for pages 3 and 4

CABINET COMPONENTS

| Drawing No. | Part No. | Description | All Models |
|----------------------------|----------------|----------------------------------|------------|
| 1 | 501-570-* | Right Side Assembly | X |
| 2 | S153-326-* | Vestibule Service Door | X |
| 3 | 105X1073 | Right Evaporator Support Angle | X |
| 4 | 541-266 | Right Drain Pan Support Assembly | X |
| 5 | S523-123 | Drain Pan Assembly | X |
| 6 | 105-1080 | Evaporator Coil Fill Angle | X |
| 7 | 509-156 | Upper Back | X |
| 8 | 111-063 | Supply Air Frame | 2 |
| 9 | 103-439 | Heat Exchanger Support Offset | X |
| 10 | Heat Exch Assy | See Burner Components Diagram | |
| 11 | 105-1076 | Top Heat Exchanger Deflector | X |
| 12 | 135-216 | Inner Air Baffle | X |
| 13 | 165-586-* | Top Rain Channel | X |
| 14 | 507-246-* | Top Assembly | X |
| 15 | 135-184 | Right Heat Exchanger Deflector | X |
| 16 | 105Y1073 | Left Evaporator Support Angle | X |
| 17 | 105-1066 | Lower Heat Exchanger Deflector | X |
| 18 | 501-788-* | Left Side Assembly | X |
| 19 | 543-070-* | Left Access Cover | X |
| 20 | 105-1070 | Left Support Angle | X |
| 21 | S121-484 | Blower Partition | X |
| 23 | 131-163 | Filter Tray | X |
| 24 | 1921-051 | Vent Terminal Gasket | X |
| 25 | 118-084-* | Side Grille | 2 |
| <i>Continued on page 4</i> | | | |

* Exterior cabinet parts are manufactured with various paint color options. To ensure the proper paint color is received, include the complete model number and serial number of the unit for which parts are being ordered.

Refer to drawing on page 2

CABINET COMPONENTS

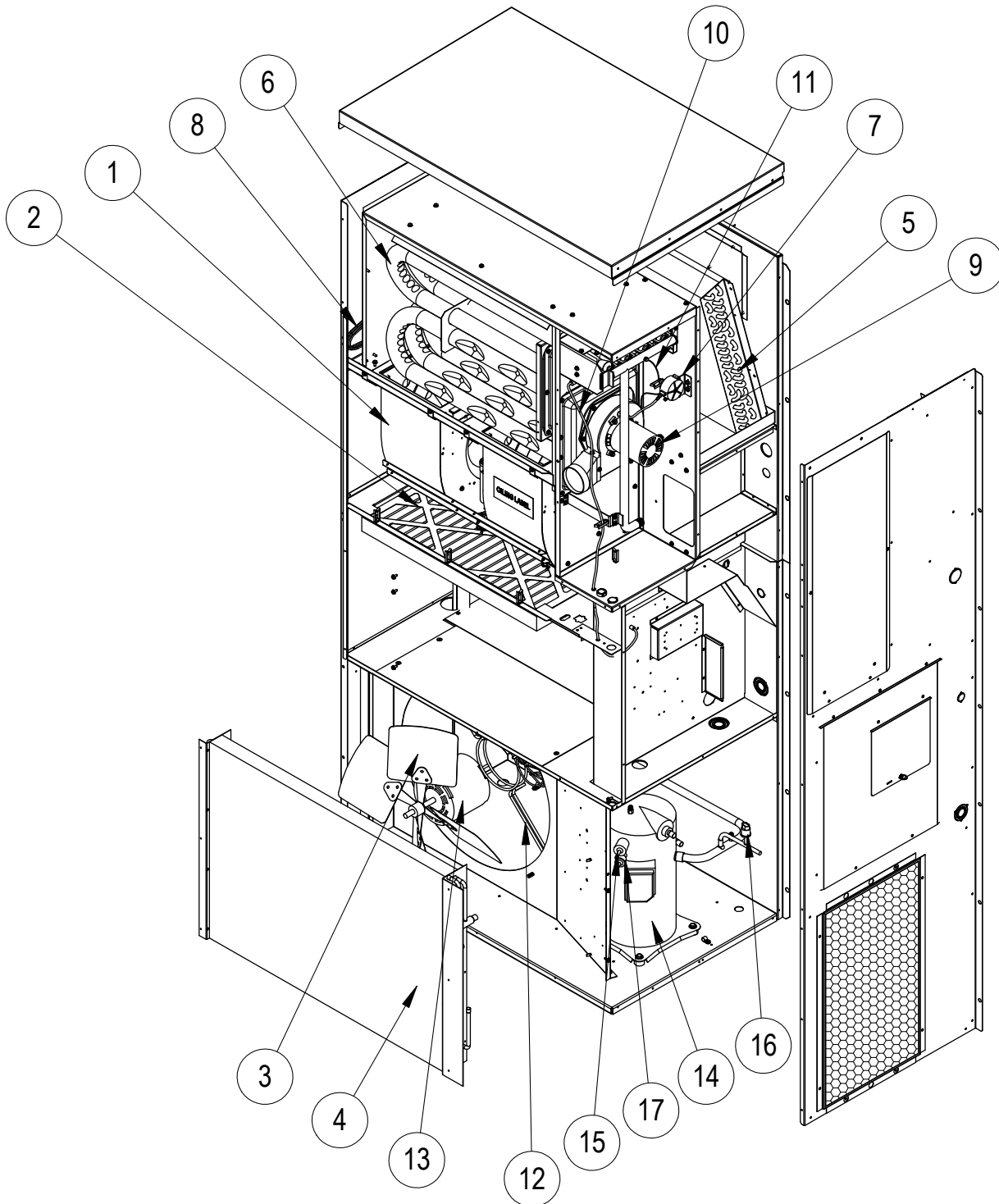
| Drawing No. | Part No. | Description | All Models |
|------------------------------|------------|-------------------------------------|------------|
| <i>Continued from page 3</i> | | | |
| 27 | 553-562-* | Filter Access Panel Assembly | X |
| 28 | S553-561-* | Front Door Assembly | X |
| 29 | 553-327-* | Vent Option Door Assembly | X |
| 30 | 169-119 | Outer Vent Hood | X |
| 31 | 169-120 | Inner Vent Hood | X |
| 32 | WGBFAD-5 | Barometric Fresh Air Damper | X |
| 33 | 118-048-* | Condenser Grille | X |
| 34 | 549-131-* | Right Front Corner Assembly | X |
| 35 | S135-181-* | Air Intake Hood | X |
| 36 | S134-182-* | Air Intake Back | X |
| 37 | 125-024 | Fan Shroud | X |
| 38 | 542-072 | Condenser Partition Blank Off Plate | X |
| 39 | 541-398 | Heat Exchanger Support Assembly | X |
| 40 | 142-071 | Filter Blank Off Plate | X |
| 41 | 127-396 | Lower Base | X |
| 42 | 103-438 | Lower Base Offset | 3 |
| 43 | 517-276 | Control Panel Assembly | X |
| 44 | 521-420 | Condenser Partition Assembly | X |
| 45 | 509-157 | Lower Back Assembly | X |
| 46 | 113-268 | Manifold Bracket | X |
| 47 | 113-140 | Bottom Support Bracket | X |
| 48 | S133-163 | Circuit Breaker Inner Door | X |
| 49 | S533-162-* | Control Panel Cover Assembly | X |
| 50 | S153-328-* | Disconnect Access Door | X |
| 51 | 134-193 | Conduit Access Panel | X |
| 52 | 156-029 | Conduit Entrance Plate | X |
| 53 | 553-388-* | Upper Door Assembly | X |

* Exterior cabinet parts are manufactured with various paint color options. To ensure the proper paint color is received, include the complete model number and serial number of the unit for which parts are being ordered.

Refer to drawing on page 2

This page intentionally left blank

FUNCTIONAL COMPONENTS



SEXP-677

This drawing to be used for reference for pages 7, 8 and 9

FUNCTIONAL COMPONENTS

| Drawing No. | Part No. | Description | W42G3-AXB | W42G3-AXC | W42G3-AXD | W42G3-BXB | W42G3-BXC | W42G3-BXD | W42G3-CXB | W42G3-CXC | W42G3-CXD |
|-------------|------------|--|-----------|-----------|-----------|-----------|-----------|-----------|-----------|-----------|-----------|
| 1 | S900-249 | Complete Blower Assembly 230/208 | X | X | X | X | X | X | | | |
| 1 | S900-277 | Complete Blower Assembly 460V | | | | | | | X | X | X |
| 2 | 7004-027 | 20 x 30 x 2 Pleated Filter (Standard) | X | X | X | X | X | X | X | X | X |
| 2 | 7003-030 | 20 x 30 x 1 AF Filter (Optional) | X | X | X | X | X | X | X | X | X |
| 3 | 5151-027 | Fan Blade | X | X | X | X | X | X | X | X | X |
| 4 | 5051-179BX | Coil | X | X | X | X | X | X | X | X | X |
| 5 | 5060-106BX | Coil | X | X | X | X | X | X | X | X | X |
| 6 | Heat Exch. | See Burner Components Diagram | X | X | X | X | X | X | X | X | X |
| 7 | 8406-103 | .55" + .05" Pressure Switch | X | X | X | X | X | X | X | X | X |
| 8 | S800-0448 | Distributor/Orifice .070 | X | X | X | X | X | X | X | X | X |
| 9 | 8109-014 | Induced Draft Blower 230V w/Transition | X | X | X | X | X | X | | | |
| 9 | 8109-015 | Induced Draft Blower 460V w/Transition | | | | | | | X | X | X |
| 10 | 8600-011 | Suppression Ignition Cable | X | X | X | X | X | X | X | X | X |
| 11 | 3000-1121 | Wire Assembly | X | X | X | X | X | X | | | |
| 11 | 3000-1124 | Wire Assembly | | | | | | | X | X | X |
| 12 | 8200-004 | Fan Motor Mount | X | X | X | X | X | X | X | X | X |
| 13 | 8105-066 | Motor 230/208V | X | X | X | X | X | X | | | |
| 13 | 8105-030 | Motor 460V | | | | | | | X | X | X |
| 14 | 8000-318 | Compressor ZP39K5E-PFV-130 | X | X | X | | | | | | |
| 14 | 8000-319 | Compressor ZP39K5E-TF5-130 | | | | X | X | X | | | |
| 14 | 8000-320 | Compressor ZP39K5E-TFD-130 | | | | | | | X | X | X |
| 15 | 1804-0462 | High Pressure Switch (Flare) | X | X | X | X | X | X | X | X | X |
| 16 | 1804-0386 | Low Pressure Switch (Flare) | X | X | X | X | X | X | X | X | X |
| 17 | 8406-105 | Low Ambient Control - Opt. - (Flare) | X | X | X | X | X | X | X | X | X |
| NS | 8408-048 | Freeze Stat (Part of LAC Kit) | X | X | X | X | X | X | X | X | X |
| NS | CMA-29 | Complete Low Ambient Kit | X | X | X | X | X | X | X | X | X |
| NS | S400-0183 | Orifice Parts Bag 3 Tube 75K | X | | | X | | | X | | |
| NS | S400-0184 | Orifice Parts Bag 4 Tube 100K | | X | | | X | | | X | |
| NS | S400-0185 | Orifice Parts Bag 5 Tube 125K | | | X | | | X | | | X |
| NS | 6031-009 | Coremax Valve Core | X | X | X | X | X | X | X | X | X |

NS - Not Shown
Opt. = Optional

Refer to drawing on page 6

FUNCTIONAL COMPONENTS

| Drawing No. | Part No. | Description | W48G3-AXB | W48G3-AXC | W48G3-AXD | W48G3-BXB | W48G3-BXC | W48G3-BXD | W48G3-CXB | W48G3-CXC | W48G3-CXD |
|-------------|------------|--|-----------|-----------|-----------|-----------|-----------|-----------|-----------|-----------|-----------|
| 1 | S900-249 | Complete Blower Assembly 230/208 | X | X | X | X | X | X | | | |
| 1 | S900-277 | Complete Blower Assembly 460V | | | | | | | X | X | X |
| 2 | 7004-027 | 20 x 30 x 2 Pleated Filter (Standard) | X | X | X | X | X | X | X | X | X |
| 2 | 7003-030 | 20 x 30 x 1 AF Filter (Optional) | X | X | X | X | X | X | X | X | X |
| 3 | 5151-027 | Fan Blade | X | X | X | X | X | X | X | X | X |
| 4 | 5051-180BX | Coil | X | X | X | X | X | X | X | X | X |
| 5 | 5060-106BX | Coil | X | X | X | X | X | X | X | X | X |
| 6 | Heat Exch. | See Burner Components Diagram | X | X | X | X | X | X | X | X | X |
| 7 | 8406-103 | .55" + .05" Pressure Switch | X | X | X | X | X | X | X | X | X |
| 8 | S800-0369 | Distributor/Orifice .073 | X | X | X | X | X | X | X | X | X |
| 9 | 8109-014 | Induced Draft Blower 230V w/Transition | X | X | X | X | X | X | | | |
| 9 | 8109-015 | Induced Draft Blower 460V w/Transition | | | | | | | X | X | X |
| 10 | 8600-011 | Suppression Ignition Cable | X | X | X | X | X | X | X | X | X |
| 11 | 3000-1121 | Wire Assembly | X | X | X | X | X | X | | | |
| 11 | 3000-1124 | Wire Assembly | | | | | | | X | X | X |
| 12 | 8200-004 | Fan Motor Mount | X | X | X | X | X | X | X | X | X |
| 13 | 8105-066 | Motor 230/208V | X | X | X | X | X | X | | | |
| 13 | 8105-030 | Motor 460V | | | | | | | X | X | X |
| 14 | 8000-332 | Compressor ZP42K5E-PFV-130 | X | X | X | | | | | | |
| 14 | 8000-333 | Compressor ZP42K5E-TF5-130 | | | | X | X | X | | | |
| 14 | 8000-334 | Compressor ZP42K5E-TFD-130 | | | | | | | X | X | X |
| 15 | 1804-0462 | High Pressure Switch (Flare) | X | X | X | X | X | X | X | X | X |
| 16 | 1804-0386 | Low Pressure Switch (Flare) | X | X | X | X | X | X | X | X | X |
| 17 | 8406-105 | Low Ambient Control - Opt. - (Flare) | X | X | X | X | X | X | X | X | X |
| NS | 8408-048 | Freeze Stat (Part of LAC Kit) | X | X | X | X | X | X | X | X | X |
| NS | CMA-29 | Complete Low Ambient Kit | X | X | X | X | X | X | X | X | X |
| NS | S400-0183 | Orifice Parts Bag 3 Tube 75K | X | | | X | | | X | | |
| NS | S400-0184 | Orifice Parts Bag 4 Tube 100K | | X | | | X | | | X | |
| NS | S400-0185 | Orifice Parts Bag 5 Tube 125K | | | X | | | X | | | X |
| NS | 6031-009 | Coremax Valve Core | X | X | X | X | X | X | X | X | X |

NS - Not Shown
Opt. = Optional

Refer to drawing on page 6

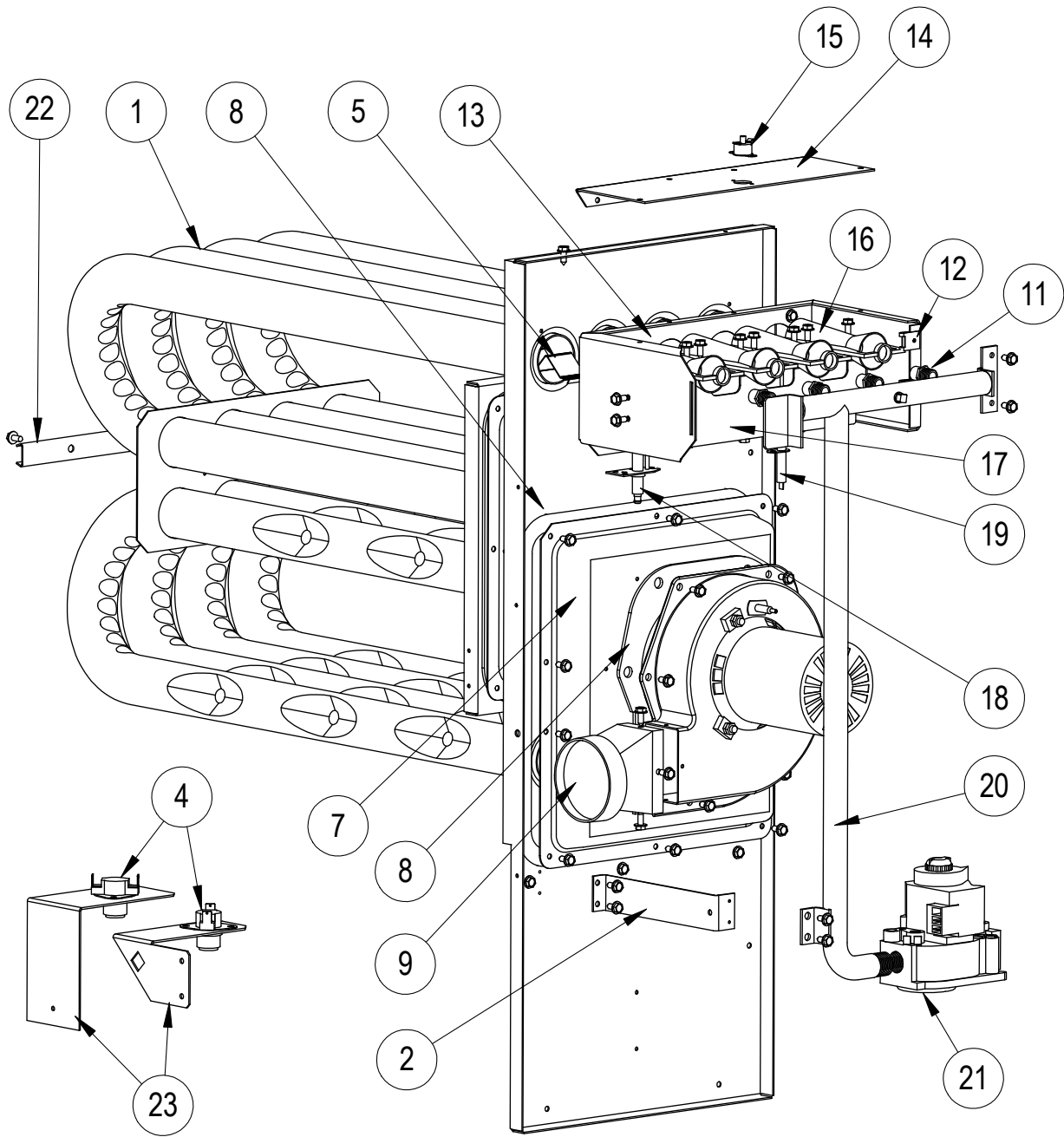
FUNCTIONAL COMPONENTS

| Drawing No. | Part No. | Description | W60G3-AXB | W60G3-AXC | W60G3-AXD | W60G3-BXB | W60G3-BXC | W60G3-BXD | W60G3-CXB | W60G3-CXC | W60G3-CXD |
|-------------|------------|--|-----------|-----------|-----------|-----------|-----------|-----------|-----------|-----------|-----------|
| 1 | S900-249 | Complete Blower Assembly 230/208 | X | X | X | X | X | X | | | |
| 1 | S900-277 | Complete Blower Assembly 460V | | | | | | | X | X | X |
| 2 | 7004-027 | 20 x 30 x 2 Pleated Filter (Standard) | X | X | X | X | X | X | X | X | X |
| 2 | 7003-030 | 20 x 30 x 1 AF Filter (Optional) | X | X | X | X | X | X | X | X | X |
| 3 | 5151-027 | Fan Blade | X | X | X | X | X | X | X | X | X |
| 4 | 5051-180BX | Coil | X | X | X | X | X | X | X | X | X |
| 5 | 5060-105BX | Coil | X | X | X | X | X | X | X | X | X |
| 6 | Heat Exch. | See Burner Components Diagram | X | X | X | X | X | X | X | X | X |
| 7 | 8406-103 | .55" + .05" Pressure Switch | X | X | X | X | X | X | X | X | X |
| 8 | S800-0449 | Distributor/Orifice .087 | X | X | X | X | X | X | X | X | X |
| 9 | 8109-014 | Induced Draft Blower 230V w/Transition | X | X | X | X | X | | | | |
| 9 | 8109-015 | Induced Draft Blower 460V w/Transition | | | | | | | X | X | X |
| 10 | 8600-011 | Suppression Ignition Cable | X | X | X | X | X | X | X | X | X |
| 11 | 3000-1121 | Wire Assembly | X | X | X | X | X | | | | |
| 11 | 3000-1124 | Wire Assembly | | | | | | | X | X | X |
| 12 | 8200-004 | Fan Motor Mount | X | X | X | X | X | X | X | X | X |
| 13 | 8105-066 | Motor 230/208V | X | X | X | X | X | | | | |
| 13 | 8105-030 | Motor 460V | | | | | | | X | X | X |
| 14 | 8000-324 | Compressor ZP54K5E-PFV-130 | X | X | X | | | | | | |
| 14 | 8000-325 | Compressor ZP54K5E-TF5-130 | | | | X | X | X | | | |
| 14 | 8000-326 | Compressor ZP54K5E-TFD-130 | | | | | | | X | X | X |
| 15 | 1804-0462 | High Pressure Switch (Flare) | X | X | X | X | X | X | X | X | X |
| 16 | 1804-0386 | Low Pressure Switch (Flare) | X | X | X | X | X | X | X | X | X |
| 17 | 8406-105 | Low Ambient Control - Opt. - (Flare) | X | X | X | X | X | X | X | X | X |
| NS | 8408-048 | Freeze Stat (Part of LAC Kit) | X | X | X | X | X | X | X | X | X |
| NS | CMA-29 | Complete Low Ambient Kit | X | X | X | X | X | X | X | X | X |
| NS | S400-0183 | Orifice Parts Bag 3 Tube 75K | X | | | X | | | X | | |
| NS | S400-0184 | Orifice Parts Bag 4 Tube 100K | | X | | | X | | | X | |
| NS | S400-0185 | Orifice Parts Bag 5 Tube 125K | | | X | | | X | | | X |
| NS | 6031-009 | Coremax Valve Core | X | X | X | X | X | X | X | X | X |

NS - Not Shown
Opt. = Optional

Refer to drawing on page 6

BURNER COMPONENTS



SEXP-678 A

This drawing to be used for reference for pages 11, 12 and 13

BURNER COMPONENTS

| Drawing No. | Part No. | Description | W42G3-*XB | W42G3-*NB | W42G3-*XC | W42G3-*NC | W42G3-*XD |
|-------------|---------------|--|-----------|-----------|-----------|-----------|-----------|
| 1 | S171-315 | Heat Exchanger Assembly 75K | X | X | | | |
| 1 | S171-317 | Heat Exchanger Assembly 100K | | | X | X | |
| 1 | S171-319 | Heat Exchanger Assembly 125K | | | | | X |
| 2 | 113-268 | Manifold Bracket | X | X | X | X | X |
| 4 | 8402-180 | Limit Control L140-30 | X | X | | | |
| 4 | 8402-178 | Limit Control L120-30 | | | X | X | |
| 4 | 8402-177 | Limit Control L115-30 | | | | | X |
| 5 | 9010-083 | NOx Screen | | 3 | | 4 | |
| 6 | 1921-025-4600 | 46" Glas-Tak Tape | X | X | X | X | X |
| 7 | 168-126 | Collector Box | X | X | | | |
| 7 | 168-127 | Collector Box | | | X | X | |
| 7 | 168-128 | Collector Box | | | | | X |
| 8 | 1921-044 | Gasket Set | X | X | X | X | X |
| 9 | 5809-013 | 3" Cast Inducer Transition | X | X | X | X | X |
| 10 | 5809-017 | 3.031" x 4.625" Transition | X | X | X | X | X |
| 11 | 9010-079 | Orifice 2.40mm (.0960 diameter) | 3 | | 4 | | 5 |
| 11 | 9010-082 | Orifice 2.30mm (10% derate & .0905 diameter) | 3 | 3 | 4 | 4 | 5 |
| 12 | 1012-314 | U Clip Fastener | 4 | 4 | 4 | 4 | 4 |
| 13 | 163-049 | Burner Box | X | X | | | |
| 13 | 163-052 | Burner Box | | | X | X | |
| 13 | 163-051 | Burner Box | | | | | X |
| 14 | 141-440 | Flame Rollout Support | X | X | | | |
| 14 | 141-438 | Flame Rollout Support | | | X | X | |
| 14 | 141-439 | Flame Rollout Support | | | | | X |
| 15 | 8402-124 | Flame Rollout Switch L270 | X | X | X | X | X |
| 16 | 9010-078 | In-Shot Burner 2.5 x 4.5 | 3 | 3 | 4 | 4 | 5 |
| 17 | 163-041 | Burner Support | X | X | | | |
| 17 | 163-043 | Burner Support | | | X | X | |
| 17 | 163-045 | Burner Support | | | | | X |
| 18 | 8554-024 | DSI Spark Igniter | X | X | X | X | X |
| 19 | 8554-025 | Flame Sensor | X | X | X | X | X |
| 20 | 5818-054 | 3-Hole Gas Manifold - 1/2" | X | X | | | |
| 20 | 5818-055 | 4-Hole Gas Manifold - 1/2" | | | X | X | |
| 20 | 5818-056 | 5-Hole Gas Manifold - 1/2" | | | | | X |
| 21 | 5651-160 | Natural Gas Valve 1/2 x 1/2 | X | X | X | X | X |
| 22 | 168-140 | Tube Brace 2 Burner | X | X | | | |
| 22 | 168-135 | Tube Brace 3 Burner | | | X | X | |
| 22 | 168-134 | Tube Brace 4 Burner | | | | | X |
| 23 | 112-355 | Limit Bracket | X | X | | | |
| 23 | 112-475 | Limit Bracket | | | X | X | X |
| NS | 8600-011 | Ignition Cable | X | X | X | X | X |

NS – Not Shown

Refer to drawing on page 10

BURNER COMPONENTS

| Drawing No. | Part No. | Description | W48G3-*XB | W48G3-*NB | W48G3-*XC | W48G3-*NC | W48G3-*XD |
|-------------|---------------|--|-----------|-----------|-----------|-----------|-----------|
| 1 | S171-315 | Heat Exchanger Assembly 75K | X | X | | | |
| 1 | S171-317 | Heat Exchanger Assembly 100K | | | X | X | |
| 1 | S171-319 | Heat Exchanger Assembly 125K | | | | | X |
| 2 | 113-268 | Manifold Bracket | X | X | X | X | X |
| 4 | 8402-180 | Limit Control L140-30 | X | X | | | |
| 4 | 8402-178 | Limit Control L120-30 | | | X | X | |
| 4 | 8402-177 | Limit Control L115-30 | | | | | X |
| 5 | 9010-083 | NOx Screen | | 3 | | 4 | |
| 6 | 1921-025-4600 | 46" Glas-Tak Tape | X | X | X | X | X |
| 7 | 168-126 | Collector Box | X | X | | | |
| 7 | 168-127 | Collector Box | | | X | X | |
| 7 | 168-128 | Collector Box | | | | | X |
| 8 | 1921-044 | Gasket Set | X | X | X | X | X |
| 9 | 5809-013 | 3" Cast Inducer Transition | X | X | X | X | X |
| 10 | 5809-017 | 3.031" x 4.625" Transition | X | X | X | X | X |
| 11 | 9010-079 | Orifice 2.40mm (.0960 diameter) | 3 | | 4 | | 5 |
| 11 | 9010-082 | Orifice 2.30mm (10% derate & .0905 diameter) | 3 | 3 | 4 | 4 | 5 |
| 12 | 1012-314 | U Clip Fastener | 4 | 4 | 4 | 4 | 4 |
| 13 | 163-049 | Burner Box | X | X | | | |
| 13 | 163-052 | Burner Box | | | X | X | |
| 13 | 163-051 | Burner Box | | | | | X |
| 14 | 141-440 | Flame Rollout Support | X | X | | | |
| 14 | 141-438 | Flame Rollout Support | | | X | X | |
| 14 | 141-439 | Flame Rollout Support | | | | | X |
| 15 | 8402-124 | Flame Rollout Switch L270 | X | X | X | X | X |
| 16 | 9010-078 | In-Shot Burner 2.5 x 4.5 | 3 | 3 | 4 | 4 | 5 |
| 17 | 163-041 | Burner Support | X | X | | | |
| 17 | 163-043 | Burner Support | | | X | X | |
| 17 | 163-045 | Burner Support | | | | | X |
| 18 | 8554-024 | DSI Spark Igniter | X | X | X | X | X |
| 19 | 8554-025 | Flame Sensor | X | X | X | X | X |
| 20 | 5818-054 | 3-Hole Gas Manifold - 1/2" | X | X | | | |
| 20 | 5818-055 | 4-Hole Gas Manifold - 1/2" | | | X | X | |
| 20 | 5818-056 | 5-Hole Gas Manifold - 1/2" | | | | | X |
| 21 | 5651-160 | Natural Gas Valve 1/2 x 1/2 | X | X | X | X | X |
| 22 | 168-140 | Tube Brace 2 Burner | X | X | | | |
| 22 | 168-135 | Tube Brace 3 Burner | | | X | X | |
| 22 | 168-134 | Tube Brace 4 Burner | | | | | X |
| 23 | 112-355 | Limit Bracket | X | X | | | |
| 23 | 112-475 | Limit Bracket | | | X | X | X |
| NS | 8600-011 | Ignition Cable | X | X | X | X | X |

NS – Not Shown

Refer to drawing on page 10

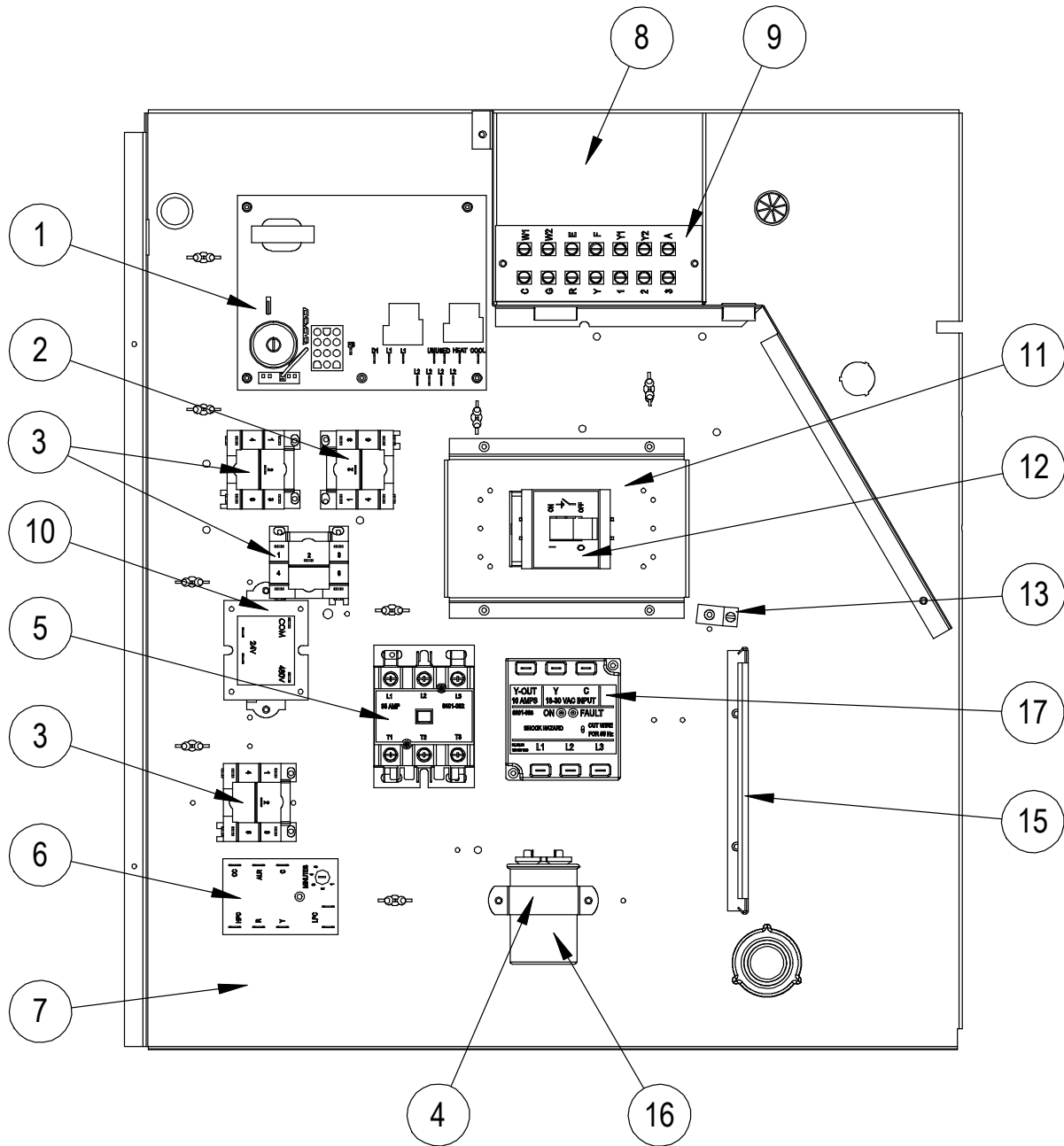
BURNER COMPONENTS

| Drawing No. | Part No. | Description | W60G3-*XB | W60G3-*NB | W60G3-*XC | W60G3-*NC | W60G3-*XD |
|-------------|---------------|--|-----------|-----------|-----------|-----------|-----------|
| 1 | S171-315 | Heat Exchanger Assembly 75K | X | X | | | |
| 1 | S171-317 | Heat Exchanger Assembly 100K | | | X | X | |
| 1 | S171-319 | Heat Exchanger Assembly 125K | | | | | X |
| 2 | 113-268 | Manifold Bracket | X | X | X | X | X |
| 4 | 8402-180 | Limit Control L140-30 | X | X | | | |
| 4 | 8402-178 | Limit Control L120-30 | | | X | X | |
| 4 | 8402-177 | Limit Control L115-30 | | | | | X |
| 5 | 9010-083 | NOx Screen | | 3 | | 4 | |
| 6 | 1921-025-4600 | 46" Glas-Tak Tape | X | X | X | X | X |
| 7 | 168-126 | Collector Box | X | X | | | |
| 7 | 168-127 | Collector Box | | | X | X | |
| 7 | 168-128 | Collector Box | | | | | X |
| 8 | 1921-044 | Gasket Set | X | X | X | X | X |
| 9 | 5809-013 | 3" Cast Inducer Transition | X | X | X | X | X |
| 10 | 5809-017 | 3.031" x 4.625" Transition | X | X | X | X | X |
| 11 | 9010-079 | Orifice 2.40mm (.0960 diameter) | 3 | | 4 | | 5 |
| 11 | 9010-082 | Orifice 2.30mm (10% derate & .0905 diameter) | 3 | 3 | 4 | 4 | 5 |
| 12 | 1012-314 | U Clip Fastener | 4 | 4 | 4 | 4 | 4 |
| 13 | 163-049 | Burner Box | X | X | | | |
| 13 | 163-052 | Burner Box | | | X | X | |
| 13 | 163-051 | Burner Box | | | | | X |
| 14 | 141-440 | Flame Rollout Support | X | X | | | |
| 14 | 141-438 | Flame Rollout Support | | | X | X | |
| 14 | 141-439 | Flame Rollout Support | | | | | X |
| 15 | 8402-124 | Flame Rollout Switch L270 | X | X | X | X | X |
| 16 | 9010-078 | In-Shot Burner 2.5 x 4.5 | 3 | 3 | 4 | 4 | 5 |
| 17 | 163-041 | Burner Support | X | X | | | |
| 17 | 163-043 | Burner Support | | | X | X | |
| 17 | 163-045 | Burner Support | | | | | X |
| 18 | 8554-024 | DSI Spark Igniter | X | X | X | X | X |
| 19 | 8554-025 | Flame Sensor | X | X | X | X | X |
| 20 | 5818-054 | 3-Hole Gas Manifold - 1/2" | X | X | | | |
| 20 | 5818-055 | 4-Hole Gas Manifold - 1/2" | | | X | X | |
| 20 | 5818-056 | 5-Hole Gas Manifold - 1/2" | | | | | X |
| 21 | 5651-160 | Natural Gas Valve 1/2 x 1/2 | X | X | X | X | X |
| 22 | 168-140 | Tube Brace 2 Burner | X | X | | | |
| 22 | 168-135 | Tube Brace 3 Burner | | | X | X | |
| 22 | 168-134 | Tube Brace 4 Burner | | | | | X |
| 23 | 112-355 | Limit Bracket | X | X | | | |
| 23 | 112-475 | Limit Bracket | | | X | X | X |
| NS | 8600-011 | Ignition Cable | X | X | X | X | X |

NS – Not Shown

Refer to drawing on page 10

CONTROL PANEL



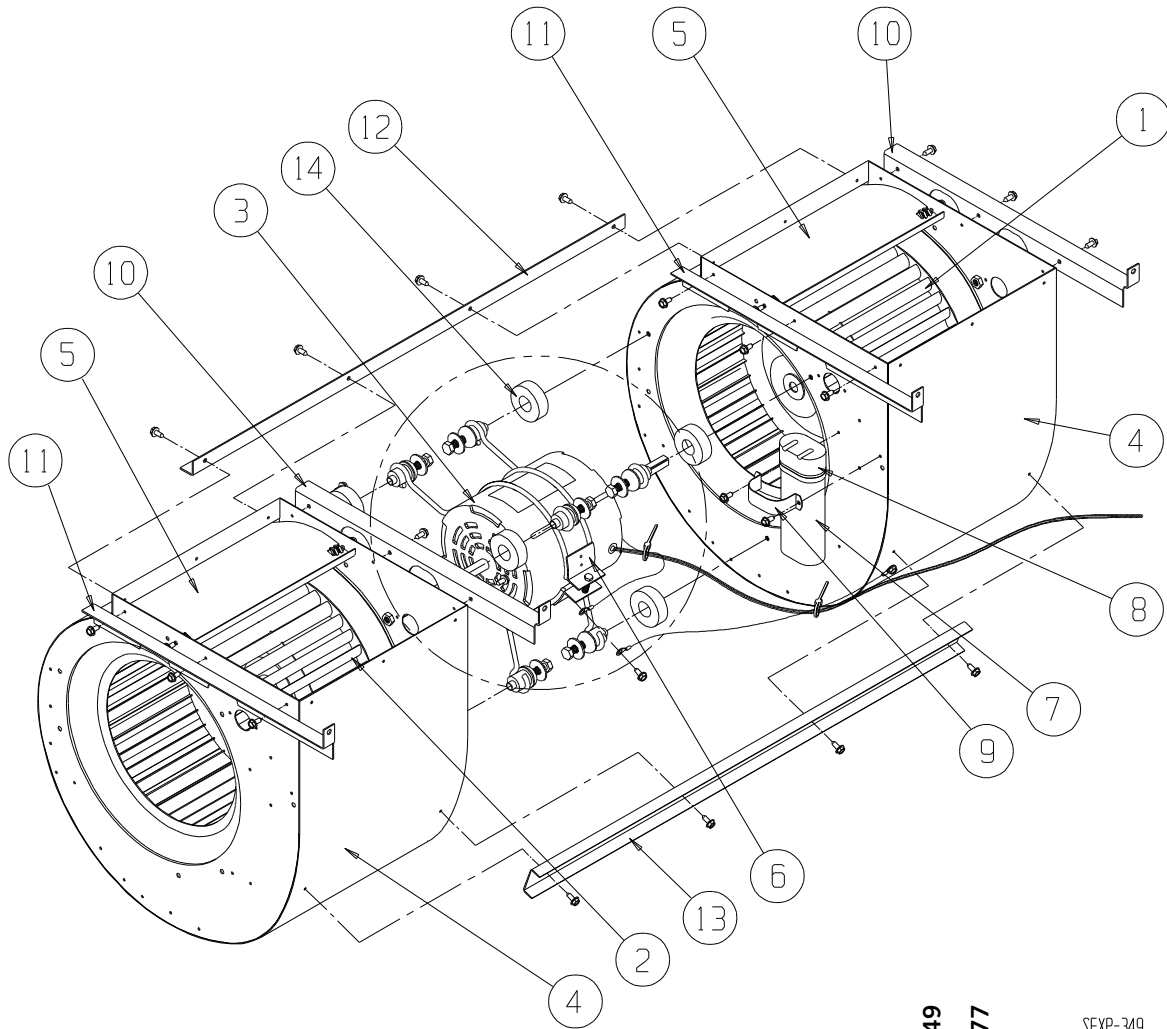
SEXP-564

CONTROL PANEL

| Drawing No. | Part No. | Description | W42G3-A | W42G3-B | W42G3-C | W48G3-A | W48G3-B | W48G3-C | W60G3-A | W60G3-B | W60G3-C |
|-------------|----------|------------------------------------|---------|---------|---------|---------|---------|---------|---------|---------|---------|
| 1 | 5651-159 | Integrated Furnace Control | X | X | X | X | X | X | X | X | X |
| 1 | 8614-045 | 3A Circuit Board Fuse | X | X | X | X | X | X | X | X | X |
| 2 | 8201-086 | 460 Volt Relay DPDT | | | X | | | X | | | X |
| 3 | 8201-032 | 460 Volt Relay SPDT | | | 3 | | | 3 | | | 3 |
| 4 | 8550-008 | Capacitor Bracket | X | | | X | | | X | | |
| 4 | 8550-003 | Capacitor Bracket | | X | X | | X | X | | X | X |
| 5 | 8401-025 | Compressor Contactor, 2 Pole, 40A | X | | | X | | | X | | |
| 5 | 8401-002 | Compressor Contactor, 3 Pole, 25A | | X | X | | X | X | | X | X |
| 6 | 8201-157 | Compressor Control Module | X | X | X | X | X | X | X | X | X |
| 7 | 517-276 | Control Panel | X | X | X | X | X | X | X | X | X |
| 8 | 117-248 | Low Voltage Box | X | X | X | X | X | X | X | X | X |
| 9 | 8607-024 | Terminal Strip | X | X | X | X | X | X | X | X | X |
| 10 | 8407-035 | Transformer 50 VA 208/240 - 24V | X | X | | X | X | | X | X | |
| 10 | 8407-042 | Transformer 50 VA 480 - 24V | | | X | | | X | | | X |
| 11 | 113-269 | Circuit Breaker Mounting Base | X | X | X | X | X | X | X | X | X |
| 12 | 8615-040 | Circuit Breaker, 50A, 2 Pole, 240V | X | | | X | | | | | |
| 12 | 8615-042 | Circuit Breaker, 35A, 3 Pole, 240V | | X | | | X | | | | |
| 12 | 8615-067 | 460V 40A Toggle Disconnect | | | X | | | X | | | X |
| 12 | 8615-041 | Circuit Breaker, 60A, 2 Pole, 240V | | | | | | | X | | |
| 12 | 8615-043 | Circuit Breaker, 40A, 3 Pole, 240V | | | | | | | | X | |
| 13 | 8611-006 | Ground Terminal | X | X | X | X | X | X | X | X | X |
| 14 | 8615-057 | Circuit Breaker Mounting Feet | 2 | 2 | | 2 | 2 | | 2 | 2 | |
| 14 | 8615-008 | Circuit Breaker Mounting Feet | | | .5 | | | .5 | | | .5 |
| 15 | 135-130 | Wire Shield | X | X | X | X | X | X | X | X | X |
| 16 | 8552-079 | Capacitor 45+10 MFD 370V | X | | | | | | | | |
| 16 | 8552-005 | Capacitor 10 MFD 370V | | X | | | X | | | X | |
| 16 | 8552-089 | Capacitor 70+10 MFD 370V | | | | X | | | | | |
| 16 | 8552-058 | Capacitor 80+10 MFD 440V | | | | | | | X | | |
| 16 | 8552-026 | Capacitor 15 MFD 370V | | | X | | | X | | | X |
| 17 | 8201-126 | 3 Phase Line Monitor | | X | X | | X | X | | X | X |
| NS | 4085-161 | Wiring Diagram | X | | | X | | | | | |
| NS | 4085-259 | Wiring Diagram | | X | | | X | | | | |
| NS | 4085-382 | Wiring Diagram | | | X | | | X | | | |
| NS | 4085-163 | Wiring Diagram | | | | | | | X | | |
| NS | 4085-261 | Wiring Diagram | | | | | | | | X | |
| NS | 4085-384 | Wiring Diagram | | | | | | | | | X |

NS – Not Shown

BLOWER ASSEMBLY



| Drawing No. | Part No. | Description | S900-249 | S900-277 |
|-------------|----------|-----------------------|----------|----------|
| 1 | 5152-011 | Blower Wheel 10-8 | X | X |
| 2 | 5152-012 | Blower Wheel 10-8 | X | X |
| 3 | 8106-038 | Motor 230/208 V | X | |
| 3 | 8620-209 | Motor 460V | | X |
| 4 | 151-101 | Blower Housing | 2 | 2 |
| 5 | 144-166 | Diffuser | 2 | 2 |
| 6 | 8200-040 | Motor Mount | X | X |
| 7 | 8552-005 | Capacitor 10 MFD 370V | X | X |
| 8 | 8611-002 | Capacitor Boot | X | X |
| 9 | 8550-003 | Capacitor Bracket | X | X |
| 10 | 105X1075 | Angle – Right | 2 | 2 |
| 11 | 105Y1075 | Angle – Left | 2 | 2 |
| 12 | 105-881 | Angle – Back | X | X |
| 13 | 165-564 | Channel – Front | X | X |
| 14 | 5451-011 | Grommets | 3 | 3 |

SEXP-349