

---

# REPLACEMENT PARTS MANUAL

---

## Wall Mounted Gas/Electric

Models:

WG4SF-A	WG4SFDA	WG5SF-A	WG5SFDA
WG4SF-B	WG4SFDB	WG5SF-B	WG5SFDB
WG4SF-C	WG4SFDC	WG5SF-C	WG5SFDC

---

### Contents

<i>Description</i>	<i>Page</i>
Cabinet Components	
♦ Exploded View .....	2
♦ Usage List .....	3
♦ Usage List .....	4
Functional Components	
♦ Exploded View .....	6
♦ Usage List - Standard .....	7
♦ Usage List - Dehumidification .....	8
Burner Components	
♦ Exploded View .....	10
♦ Usage List .....	11
Control Panel	
♦ Layout View .....	12
♦ Usage List .....	13
♦ Usage List .....	14
Blower Assembly	
♦ Exploded View .....	15
♦ Usage List .....	15

### General Notes

- Revised and/or additional pages may be issued from time to time.
- A complete and current manual consists of pages shown in the following contents section.

### Important

- Contact the installing and/or local Bard distributor for all parts requirements. Make sure to have the complete model and serial number available from the unit rating plates.

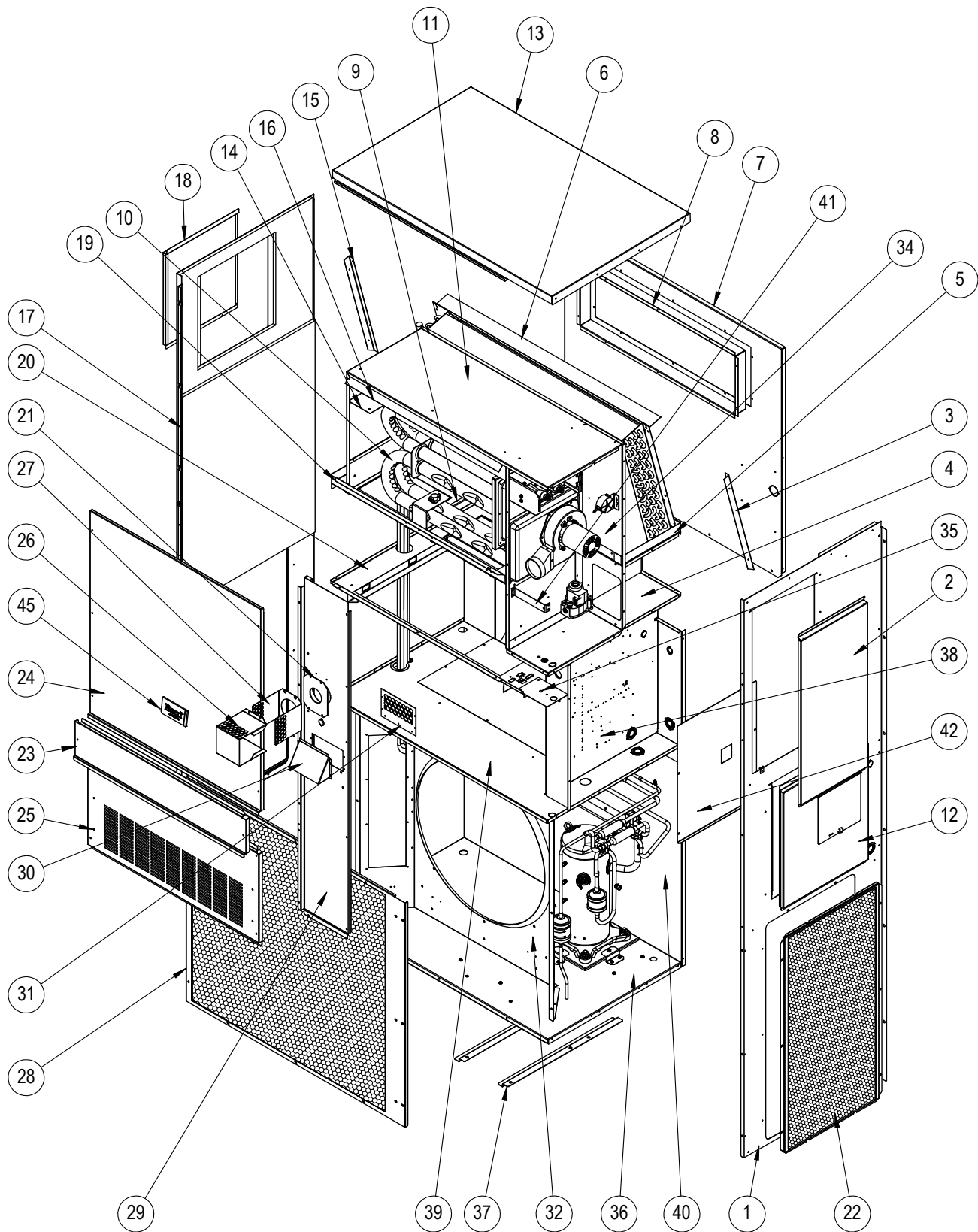


**Climate Control Solutions**

Bard Manufacturing Company, Inc.  
Bryan, Ohio 43506  
[www.bardhvac.com](http://www.bardhvac.com)

Manual: 2110-823B  
Supersedes: 2110-823A  
Date: 9-25-25

# CABINET COMPONENTS



SEXP-1151

# CABINET COMPONENTS

Drawing No.	Part No.	Description	All Models
1	501-1178-*BX	Right Side Assembly	X
2	553-801-*BX	Vestibule Door Assembly	X
3	105X1073BX	Right Evaporator Support Angle	X
4	541-266BX	Right Drain Pan Support Assembly	X
5	523-123BX	Drain Pan Assembly	X
6	105-1080BX	Evaporator Coil Fill Angle	X
7	509-494BX	Upper Back	X
8	111-063BX	Supply Air Frame	2
9	103-439BX	Heat Exchanger Support Offset	X
10	Heat Exch Assy	See <b>BURNER COMPONENTS</b> on page 10	X
11	135-216BX	Inner Air Baffle	X
12	553-364-*BX	Outer Control Panel Cover	X
13	507-432-*BX	Top Assembly <sup>Ⓢ</sup>	X
14	135-201BX	Right Heat Exchanger Deflector	X
15	105Y1073BX	Left Evaporator Support Angle	X
16	105-1076BX	Top Heat Exchanger Deflector	X
17	501-1179-*BX	Left Side Assembly	X
18	543-269-*BX	Left Access Cover	X
19	121-484BX	Blower Partition	X
20	919-0009BX	Filter Partition	X
21	1921-051BX	Vent Terminal Gasket	X
22	119-160-*BX	Side Grille	2
23	553-562-*BX	Filter Access Panel Assembly	X
24	553-802-*BX	Front Door Assembly	X
25	553-327-*BX	Vent Option Door Assembly	X
26	169-119BX	Outer Vent Hood	X
27	169-120BX	Inner Vent Hood	X
28	119-159-*BX	Condenser Grille	X
29	549-144-*BX	Right Front Corner Assembly	X
30	135-181-*BX	Air Intake Hood	X
31	134-182-*BX	Air Intake Back	X
32	921-0123BX	Fan Shroud Assembly	X
33	542-072BX	Condenser Partition Blank-Off Plate	X
34	541-398BX	Heat Exchanger Support Assembly	X
35	142-071BX	Filter Blank-Off Plate	X
<i>Continued on page 4</i>			

\* Exterior cabinet parts are manufactured with various paint color options. To ensure the proper paint color is received, include the complete model number and serial number of the unit for which parts are being ordered.

<sup>Ⓢ</sup> Optional TSO-WGS-\* Top Outlet kit available

# CABINET COMPONENTS

---

Drawing No.	Part No.	Description	All Models
<i>Continued from page 3</i>			
36	127-640BX	Lower Base	X
37	103-438BX	Lower Base Offset	X
38	517-463BX	Control Panel Assembly	X
39	521-661BX	Condenser Partition Assembly	X
40	509-489BX	Lower Back Assembly	X
41	113-268BX	Manifold Bracket	X
42	133-376BX	Inner Control Panel Door	X
NS	153-328-*BX	Disconnect Access Door	X
NS	156-029BX	Conduit Entrance Plate	X
45	5252-033BX	Bard Nameplate	X

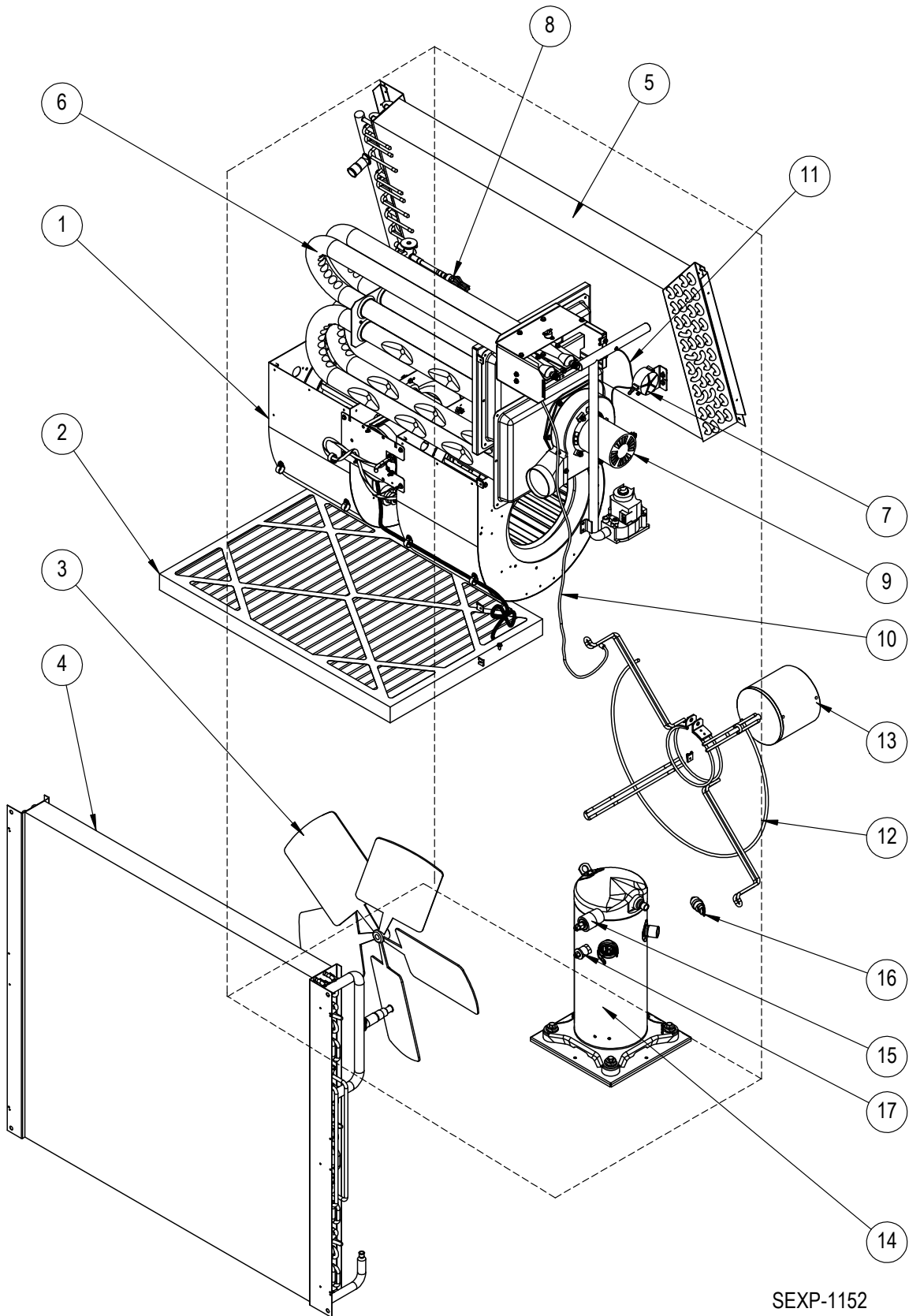
\* Exterior cabinet parts are manufactured with various paint color options. To ensure the proper paint color is received, include the complete model number and serial number of the unit for which parts are being ordered.

NS – Not Shown

Refer to drawing on page 2

*This page intentionally left blank*

# FUNCTIONAL COMPONENTS – STANDARD & DEHUMIDIFICATION



SEXP-1152

This drawing to be used for reference for pages 7 and 8

## FUNCTIONAL COMPONENTS - STANDARD

Drawing No.	Part No.	Description	WG4SF-A	WG4SF-B	WG4SF-C	WG5SF-A	WG5SF-B	WG5SF-C
1	900-377-0282BX	Complete Blower Assembly 230/208				X	X	
1	900-378-0284BX	Complete Blower Assembly 460V						X
1	900-377-0281BX	Complete Blower Assembly 230/208	X	X				
1	900-378-0283BX	Complete Blower Assembly 460V			X			
2	7004-027	20 x 30 x 2 MERV 8 Filter (Standard)	X	X	X	X	X	X
2	7003-030	20 x 30 x 1 AF Filter	O	O	O	O	O	O
2	7004-049	20 x 30 x 2 MERV 11 Filter	O	O	O	O	O	O
2	7004-064	20 x 30 x 2 MERV 13 Filter	O	O	O	O	O	O
3	5151-060BX	Fan Blade	X	X	X	X	X	X
4	5051-223BX	Condenser Coil	X	X	X	X	X	X
4	5054-223BX	Coated Condenser Coil	O	O	O	O	O	O
5	5060-105BX	Evaporator Coil	X	X	X	X	X	X
5	5062-105BX	Coated Evaporator Coil	O	O	O	O	O	O
NS	905-0817BX	Expansion Valve Assembly	X	X	X	X	X	X
6	Heat Exchanger	See <b>BURNER COMPONENTS</b> on page 10	X	X	X	X	X	X
7	8406-103BX	.55" + .05" Pressure Switch	X	X	X	X	X	X
8	800-0364BX	Distributor Assembly	X	X	X	X	X	X
9	8109-014BX	Induced Draft Blower 230V w/Transition	X	X		X	X	
9	8109-015BX	Induced Draft Blower 460V w/Transition			X			X
10	8600-011BX	Suppression Ignition Cable	X	X	X	X	X	X
11	3000-1615BX	Wire Assembly	X	X	X	X	X	X
12	8200-004BX	Fan Motor Mount	X	X	X	X	X	X
13	8105-078BX	Motor 230/208V	X	X		X	X	
13	8105-071BX	Motor 460V			X			X
14	8000-524BX	Compressor	X					
14	8000-525BX	Compressor		X				
14	8000-526BX	Compressor			X			
14	8000-527BX	Compressor				X		
14	8000-528BX	Compressor					X	
14	8000-529BX	Compressor						X
15	8406-112BX	Low Ambient Control	O	O	O	O	O	O
16	8406-166BX	Low Pressure Switch	X	X	X	X	X	X
17	8406-167BX	High Pressure Switch	X	X	X	X	X	X
NS	910-2277BX	RDS Assembly	X	X	X	X	X	X
NS	5201-022BX	Filter Drier	X	X	X	X	X	X
NS	8408-048BX	Freeze Stat	O	O	O	O	O	O
NS	6031-009	Coremax Valve Core	X	X	X	X	X	X

NS - Not Shown

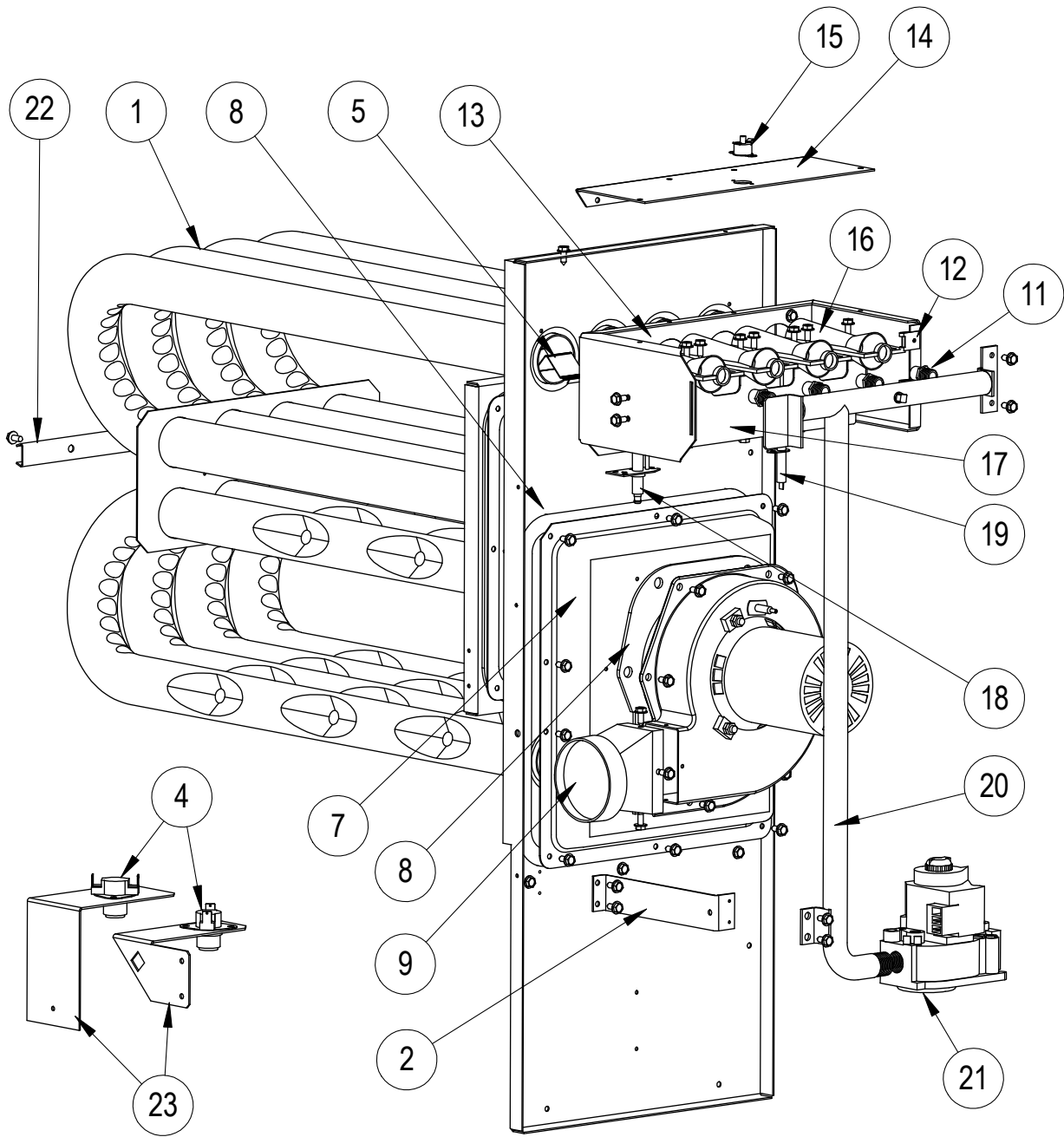
X - Standard  
O - Optional

# FUNCTIONAL COMPONENTS – DEHUMIDIFICATION

Drawing No.	Part No.	Description	WG4SFDA	WG4SFDB	WG4SFDC	WG5SFDA	WG5SFDB	WG5SFDC
1	900-377-0282BX	Complete Blower Assembly 230/208				X	X	
1	900-378-0284BX	Complete Blower Assembly 460V						X
1	900-377-0281BX	Complete Blower Assembly 230/208	X	X				
1	900-378-0283BX	Complete Blower Assembly 460V			X			
2	7004-027	20 x 30 x 2 MERV 8 Filter (Standard)	X	X	X	X	X	X
2	7003-030	20 x 30 x 1 AF Filter	O	O	O	O	O	O
2	7004-049	20 x 30 x 2 MERV 11 Filter	O	O	O	O	O	O
2	7004-064	20 x 30 x 2 MERV 13 Filter	O	O	O	O	O	O
3	5151-060BX	Fan Blade	X	X	X	X	X	X
4	5051-223BX	Condenser Coil	X	X	X	X	X	X
4	5054-223BX	Coated Condenser Coil	O	O	O	O	O	O
5	5060-105BX	Evaporator Coil	X	X	X	X	X	X
5	5062-105BX	Coated Evaporator Coil	O	O	O	O	O	O
NS	905-0817BX	Expansion Valve Assembly	X	X	X	X	X	X
6	Heat Exchanger	See <b>BURNER COMPONENTS</b> on page 10	X	X	X	X	X	X
7	8406-103BX	.55" + .05" Pressure Switch	X	X	X	X	X	X
8	800-0364BX	Distributor Assembly	X	X	X	X	X	X
9	8109-014BX	Induced Draft Blower 230V w/Transition	X	X		X	X	
9	8109-015BX	Induced Draft Blower 460V w/Transition			X			X
10	8600-011BX	Suppression Ignition Cable	X	X	X	X	X	X
11	3000-1615BX	Wire Assembly	X	X	X	X	X	X
12	8200-004BX	Fan Motor Mount	X	X	X	X	X	X
13	8105-078BX	Motor 230/208V	X	X		X	X	
13	8105-071BX	Motor 460V			X			X
14	8000-524BX	Compressor	X					
14	8000-525BX	Compressor		X				
14	8000-526BX	Compressor			X			
14	8000-527BX	Compressor				X		
14	8000-528BX	Compressor					X	
14	8000-529BX	Compressor						X
15	8406-112BX	Low Ambient Control	O	O	O	O	O	O
16	8406-166BX	Low Pressure Switch	X	X	X	X	X	X
17	8406-167BX	High Pressure Switch	X	X	X	X	X	X
NS	910-2277BX	RDS Assembly	X	X	X	X	X	X
NS	5201-022BX	Filter Drier	X	X	X	X	X	X
NS	8408-048BX	Freeze Stat	O	O	O	O	O	O
NS	6031-009	Coremax Valve Core	X	X	X	X	X	X
NS	5651-246BX	EEV Cable and Stator	X	X	X	X	X	X
NS	8408-056BX	EEV Thermistor	X	X	X	X	X	X
NS	8406-158BX	Transducer	X	X	X	X	X	X
NS	5651-219BX	Check Valve	X	X	X	X	X	X
NS	5650-051BX	Three Way Valve with Solenoid	X	X	X	X	X	X
NS	5650-046BX	Solenoid Coil	X	X	X	X	X	X
NS	5651-245BX	Expansion Valve	X	X	X			
NS	5651-248BX	Expansion Valve				X	X	X

*This page intentionally left blank*

# BURNER COMPONENTS



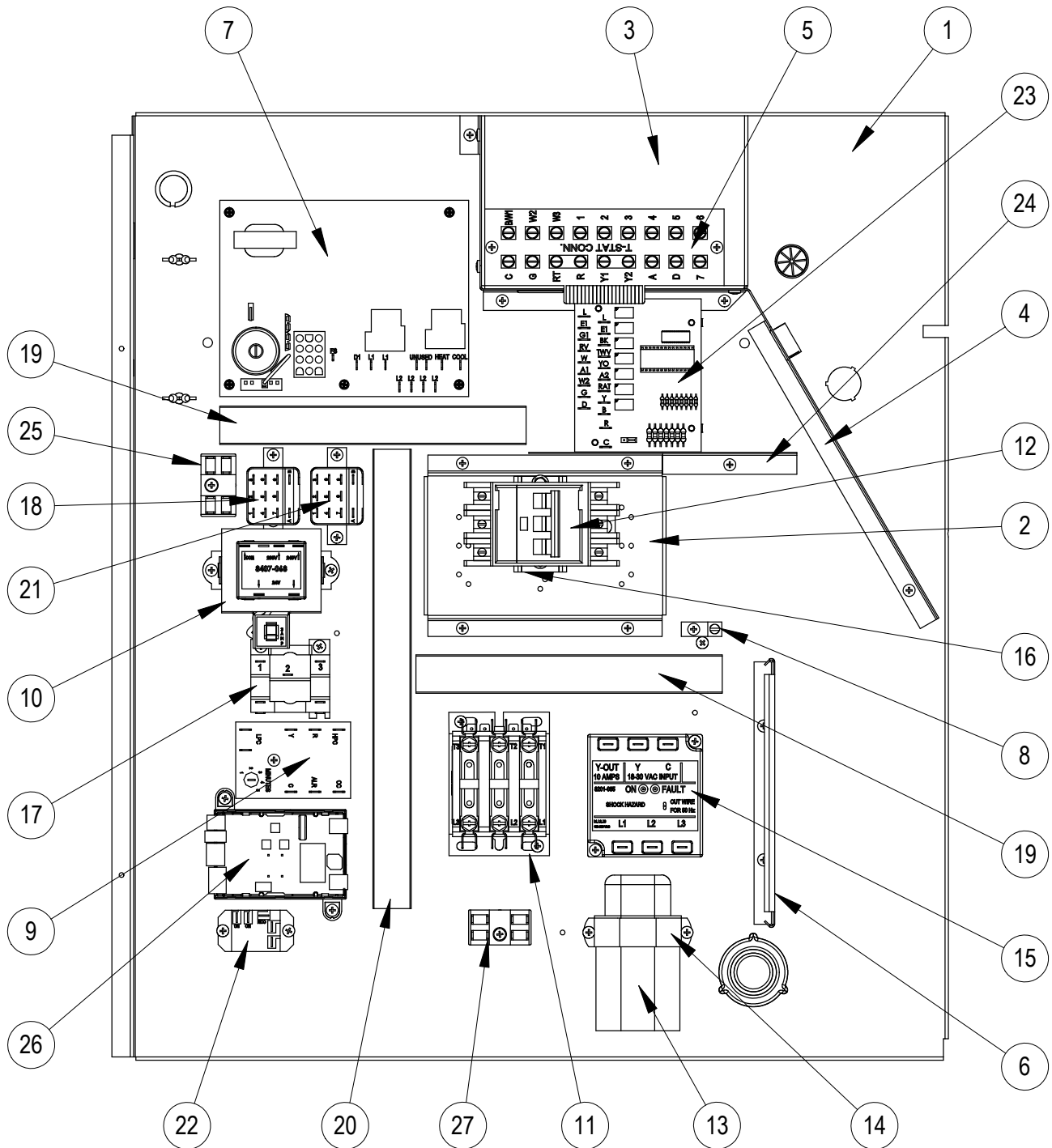
SEXP-678 A

# BURNER COMPONENTS

Drawing No.	Part No.	Description	WG4SF**XB	WG4SF**XC	WG4SF**XD	WG5SF**XB	WG5SF**XC	WG5SF**XD
1	171-315BX	Heat Exchanger Assembly 75K	X			X		
1	171-317BX	Heat Exchanger Assembly 100K		X			X	
1	171-319BX	Heat Exchanger Assembly 125K			X			X
2	113-268BX	Manifold Bracket	X	X	X	X	X	X
4	8402-180BX	Limit Control L140-30	X			X		
4	8402-178BX	Limit Control L120-30		X			X	
4	8402-177BX	Limit Control L115-30			X			X
7	168-126BX	Collector Box	X			X		
7	168-127BX	Collector Box		X			X	
7	168-128BX	Collector Box			X			X
8	1921-044BX	Gasket Set	X	X	X	X	X	X
9	5809-013BX	3" Cast Inducer Transition	X	X	X	X	X	X
11	9010-079BX	Orifice 2.40mm (.0960 diameter)	3	4	5	3	4	5
11	9010-082BX	Orifice 2.30mm (10% derate & .0905 diameter)	3	4	5	3	4	5
12	1012-314	U Clip Fastener	4	4	4	4	4	4
13	163-049BX	Burner Box	X			X		
13	163-052BX	Burner Box		X			X	
13	163-051BX	Burner Box			X			X
14	141-493BX	Flame Rollout Support	X			X		
14	141-494BX	Flame Rollout Support		X			X	
14	141-439BX	Flame Rollout Support			X			X
15	8402-124BX	Flame Rollout Switch L270	X	X	X	X	X	X
16	9010-078BX	In-Shot Burner 2.5 x 4.5	3	4	5	3	4	5
17	163-041BX	Burner Support	X			X		
17	163-043BX	Burner Support		X			X	
17	163-045BX	Burner Support			X			X
18	8554-024BX	DSI Spark Igniter	X	X	X	X	X	X
19	8554-025BX	Flame Sensor	X	X	X	X	X	X
20	5818-054BX	3-Hole Gas Manifold - 1/2"	X			X		
20	5818-055BX	4-Hole Gas Manifold - 1/2"		X			X	
20	5818-056BX	5-Hole Gas Manifold - 1/2"			X			X
21	5651-160BX	Natural Gas Valve 1/2 x 1/2	X	X	X	X	X	X
22	168-135BX	Tube Brace 3 Burner	X			X		
22	168-134BX	Tube Brace 4 Burner		X			X	
22	168-133BX	Tube Brace 5 Burner			X			X
23	112-475BX	Limit Bracket	X	X	X	X	X	X
NS	400-0183BX	Orifice Parts Bag 3 Tube 75K	X			X		
NS	400-0184BX	Orifice Parts Bag 4 Tube 100K		X			X	
NS	400-0185BX	Orifice Parts Bag 5 Tube 125K			X			X
NS	8600-011BX	Ignition Cable	X	X	X	X	X	X
NS	1921-025-4600	46" Glas-Tak Tape	X	X	X	X	X	X
NS	WGCK-1	Propane Conversion Kit 0-6000'	X	X	X	X	X	X
NS	WGCK-2	Propane Conversion Kit 6000-10,000'	X	X	X	X	X	X

NS – Not Shown

# CONTROL PANEL



SEXP-1013

This drawing to be used for reference for pages 13 and 14

# CONTROL PANEL

Dwg. No.	Part No.	Description	WG4SF-A	WG4SF-B	WG4SF-C	WG4SFDA	WG4SFDB	WG4SFDC	WG5SF-A	WG5SF-B	WG5SF-C	WG5SFDA	WG5SFDB	WG5SFDC
1	517-463BX	Control Panel	X	X	X	X	X	X	X	X	X	X	X	X
2	113-269BX	Circuit Breaker Mounting Bracket	X	X		X	X		X	X		X	X	
2	127-590BX	460V Disconnect Base			X			X			X			X
3	117-410BX	Low Voltage Box	X	X	X	X	X	X	X	X	X	X	X	X
4	117-409BX	Low Voltage Partition	X	X	X	X	X	X	X	X	X	X	X	X
5	8607-062BX	Terminal Strip	X	X	X	X	X	X	X	X	X	X	X	X
6	135-130BX	Wire Shield	X	X	X	X	X	X	X	X	X	X	X	X
7	5651-159BX	Integrated Furnace Control	X	X	X	X	X	X	X	X	X	X	X	X
8	8611-281BX	Terminal	X	X	X	X	X	X	X	X	X	X	X	X
9	8201-176BX	Compressor Control Module	X	X	X	X	X	X	X	X	X	X	X	X
10	8407-068BX	Transformer	X	X		X	X		X	X		X	X	
10	8407-069BX	Transformer			X			X			X			X
11	8401-034BX	Compressor Contactor	X			X			X			X		
11	8401-035BX	Compressor Contactor		X	X		X	X		X	X		X	X
12	8615-038BX	Circuit Breaker 35A 2-Pole	X			X								
12	8615-040BX	Circuit Breaker 50A 2-Pole		X			X		X			X		
12	8615-052BX	Circuit Breaker 30A 3-Pole								X			X	
12	8615-095BX	Toggle Disconnect			X			X			X			X
12	8615-114BX	Toggle Disconnect Cover			X			X			X			X
13	8552-003BX	Capacitor 7-1/2MFD 370V			X			X			X			X
13	8552-005BX	Capacitor 10MFD 370V		X			X			X			X	
13	8552-055BX	Capacitor 40/10MFD 370V	X			X			X			X		
14	8550-003BX	Capacitor Bracket 1-1/4" Oval		X	X		X	X		X	X		X	X
14	8550-008BX	Capacitor Bracket 2-1/2" Round	X			X			X			X		
15	8201-174BX	Phase Monitor		X	X		X	X		X	X		X	X
16	113-943BX	DIN Rail	X			X			X			X		
16	8611-209BX	DIN Rail		X	X		X	X		X	X		X	X
17	8201-032BX	Inducer Relay	X	X	X	X	X	X	X	X	X	X	X	X
18	8201-159BX	Blower Relay	X	X	X	X	X	X	X	X	X	X	X	X
19	8611-140-0800	Cable Duct - 8" x 1" Wide	X	X	X	X	X	X	X	X	X	X	X	X
20	8611-140-1200	Cable Duct - 12" x 1" Wide	X	X	X	X	X	X	X	X	X	X	X	X
21	8201-159BX	Lockout Relay	X	X	X	X	X	X	X	X	X	X	X	X
22	8201-130BX	Dehumidification Control Relay				X	X	X				X	X	X
23	8201-113BX	Dehumidification Logic Board				X	X	X				X	X	X
24	135-266BX	Wire Shield	X	X	X	X	X	X	X	X	X	X	X	X
25	8607-017BX	Terminal Block	X	X	X	X	X	X	X	X	X	X	X	X
26	8301-079-0005BX	EEV Control Board (see also page 8)				X	X	X				X	X	X
27	8607-017BX	Terminal Block - LAC Kit	0	0	0	0	0	0	0	0	0	0	0	0

Continued on page 16

X - Standard  
O - Optional

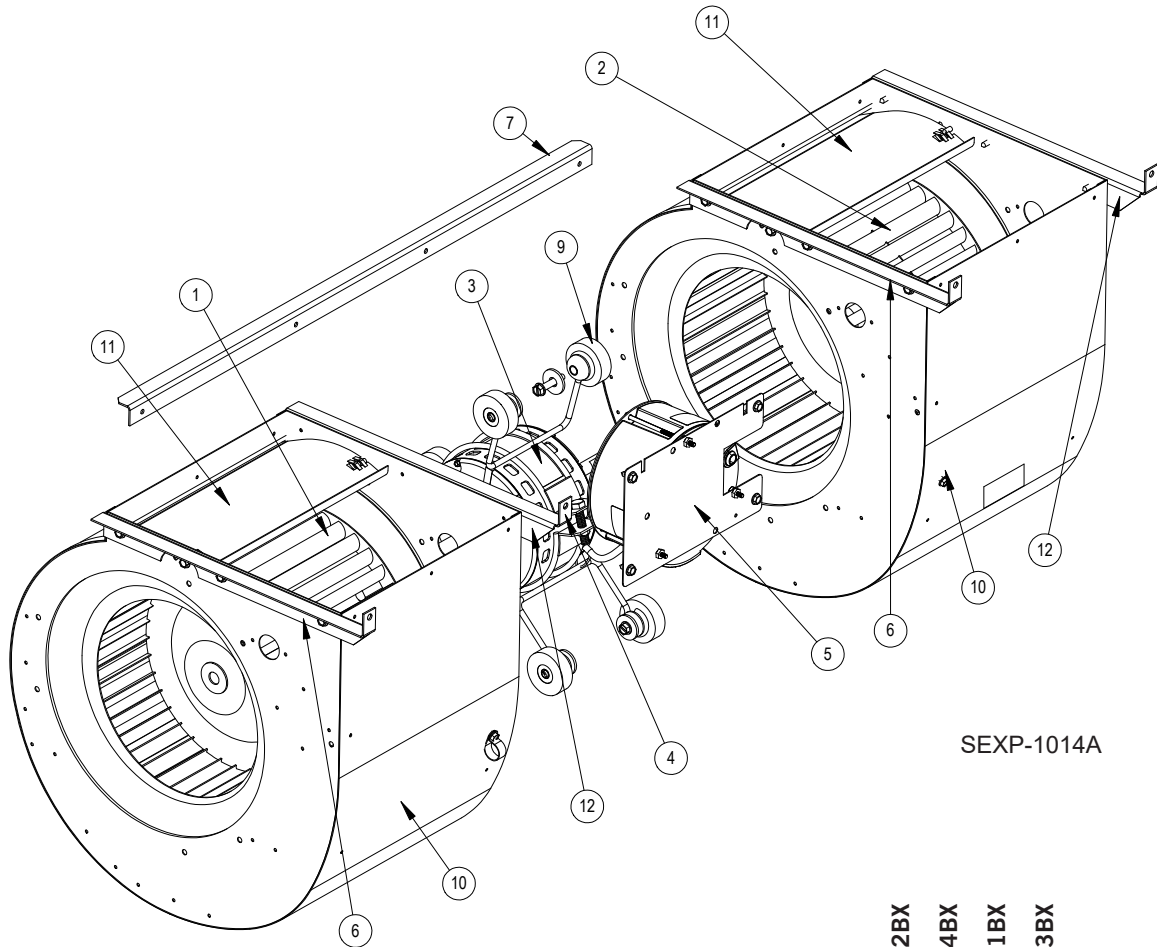
# CONTROL PANEL

Drawing No.	Part No.	Description	WG4SF-A	WG4SF-B	WG4SF-C	WG4SFDA	WG4SFDB	WG4SFDC	WG5SF-A	WG5SF-B	WG5SF-C	WG5SFDA	WG5SFDB	WG5SFDC
<i>Continued from page 14</i>														
NS	4218-101	Wiring Diagram	X			X			X			X		
NS	4218-102	Wiring Diagram		X						X			X	
NS	4218-201	Wiring Diagram									X			
NS	4218-202	Wiring Diagram					X						X	
NS	4218-301	Wiring Diagram			X						X			
NS	4218-302	Wiring Diagram						X						X
NS	3000-1616BX	Blower Power Plug	X	X	X	X	X	X	X	X	X	X	X	X
NS	3000-1617BX	Blower Speed Plug	X	X	X	X	X	X	X	X	X	X	X	X
NS	3000-1222BX	Compressor Power Plug	X			X			X			X		
NS	3000-1230BX	Compressor Power Plug		X	X		X	X		X	X		X	X
NS	3000-1223BX	Compressor Staging Solenoid Plus	X	X	X	X	X	X	X	X	X	X	X	X
NS	3003-212BX	Control Panel Wire Harness	X						X					
NS	3003-213BX	Control Panel Wire Harness		X	X					X	X			
NS	3003-214BX	Control Panel Wire Harness				X						X		
NS	3003-215BX	Control Panel Wire Harness					X	X					X	X
NS	3000-1822BX	Integrated Furnace Control Plug	X	X	X	X	X	X	X	X	X	X	X	X
NS	3000-1611BX	Transducer Wire Assembly - Connects to EEV Board				X	X	X				X	X	X
NS	3000-1603BX	Transducer Wire Assembly - Connects to Transducer				X	X	X				X	X	X

NS - Not Shown

Refer to drawing on page 12

# BLOWER ASSEMBLY



SEXP-1014A

Drawing No.	Part No.	Description	900-377-0282BX	900-378-0284BX	900-377-0281BX	900-378-0283BX
1	5152-096BX	Blower Wheel	X	X	X	X
2	5152-072BX	Blower Wheel	X	X	X	X
3	8107-028-0282BX	Blower Motor & Control (230/208V)	X			
3	8107-029-0284BX	Blower Motor & Control (460V)		X		
3	8107-028-0281BX	Blower Motor & Control (230/208V)			X	
3	8107-029-0283BX	Blower Motor & Control (460V)				X
4	8200-040BX	Motor Mount	X	X	X	X
5	112-775BX	Motor Control Bracket	X	X	X	X
6	105Y1075BX	Angle – Left	2	2	2	2
7	105-1109BX	Angle – Back	X	X	X	X
9	5451-011	Grommet	6	6	6	6
10	151-117BX	Blower Housing	2	2	2	2
11	144-167BX	Diffuser	2	2	2	2
12	105X1075BX	Angle – Right	2	2	2	2