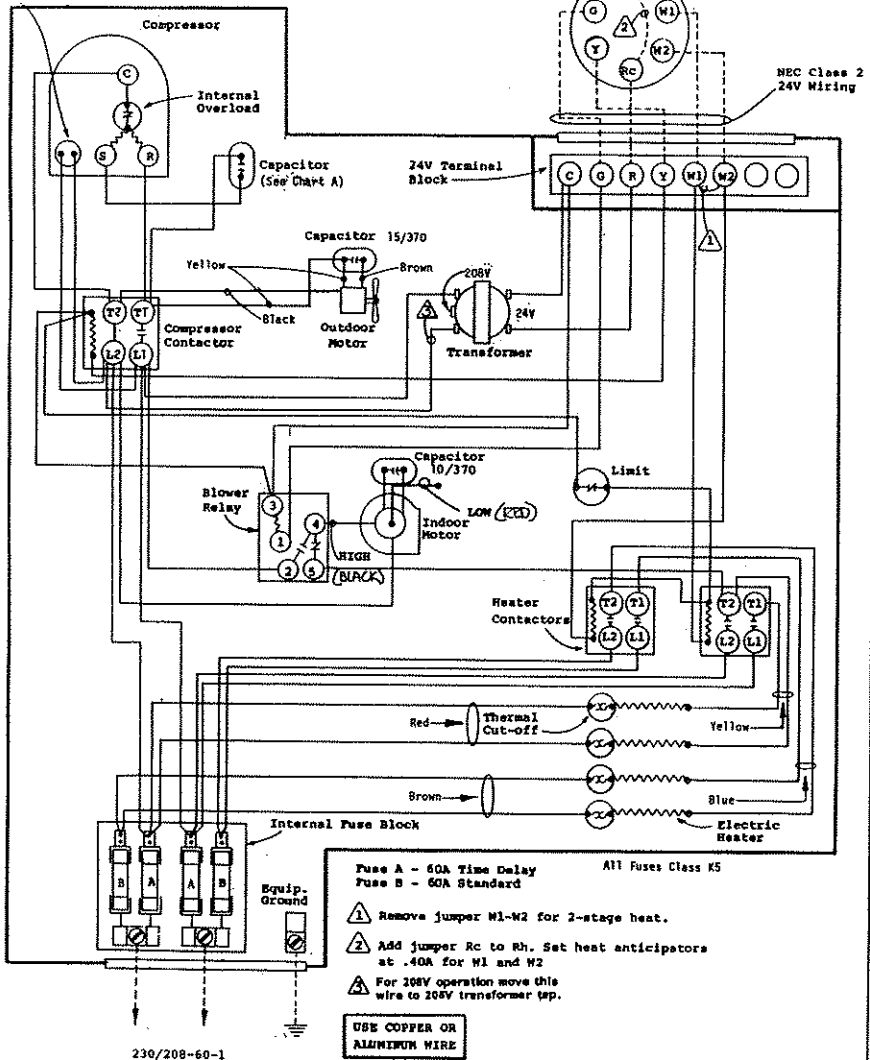


Immersion  
Crankcase  
Heater

CHART A		
42WA	49WA	60WA
35/440	40/440	45/440

T872C1004 Thermostat or T874C1000  
Q672A1005 Subbase or Q674A1001



- ▲ Remove jumper W1-W2 for 2-stage heat.
- ▲ Add jumper Rc to Rh. Set heat anticipators at .40A for W1 and W2
- ▲ For 108V operation move this wire to 208V transformer tap.

Factory Wiring ———  
Field Wiring - - - - -

4010-150R