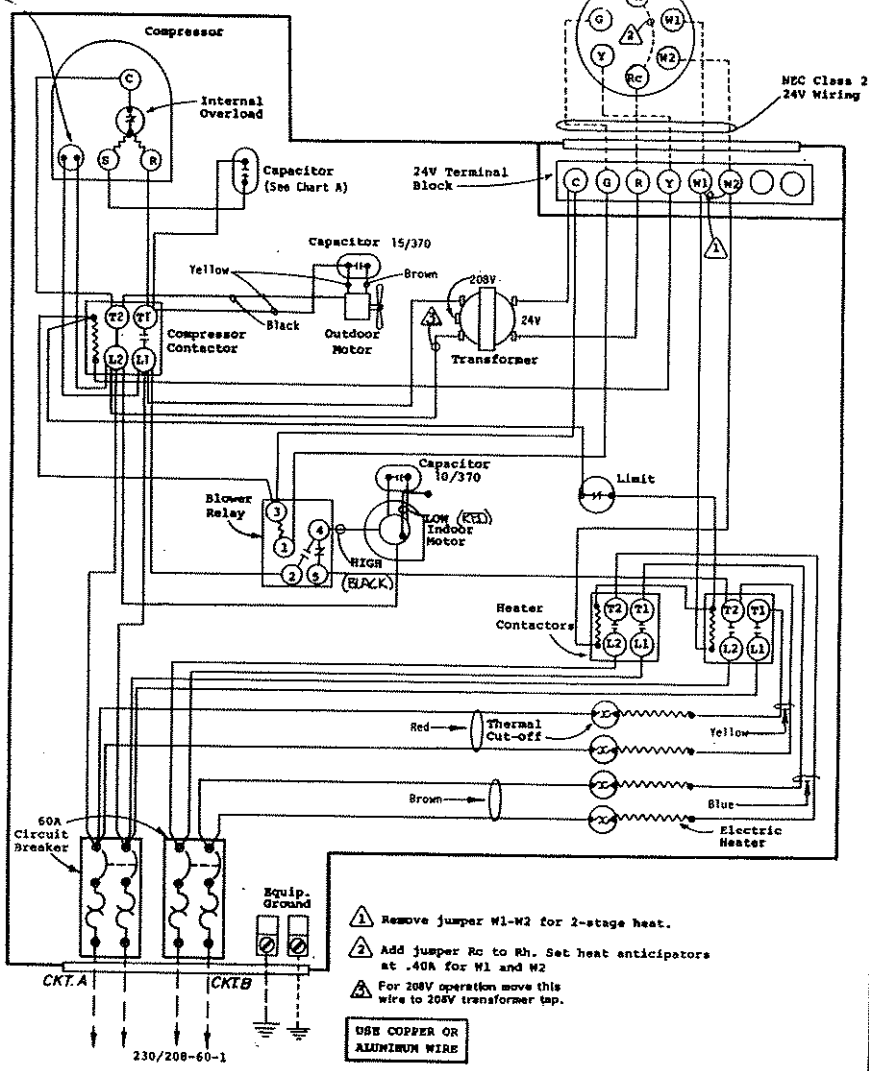


Immersion
Crankcase
Heater

CHART A		
42WA	49WA	50WA
35/440	40/440	45/440

T872C1004 Thermostat or T874C1000
Q672A1005 Subbase or Q674A1001



Factory Wiring ———
Field Wiring - - - - -

- ⚠ Remove jumper W1-W2 for 2-stage heat.
- ⚠ Add jumper Rc to Rh. Set heat anticipators at .40A for W1 and W2
- ⚠ For 208V operation move this wire to 208V transformer tap.

USE COPPER OR ALUMINUM WIRE

4010-151F