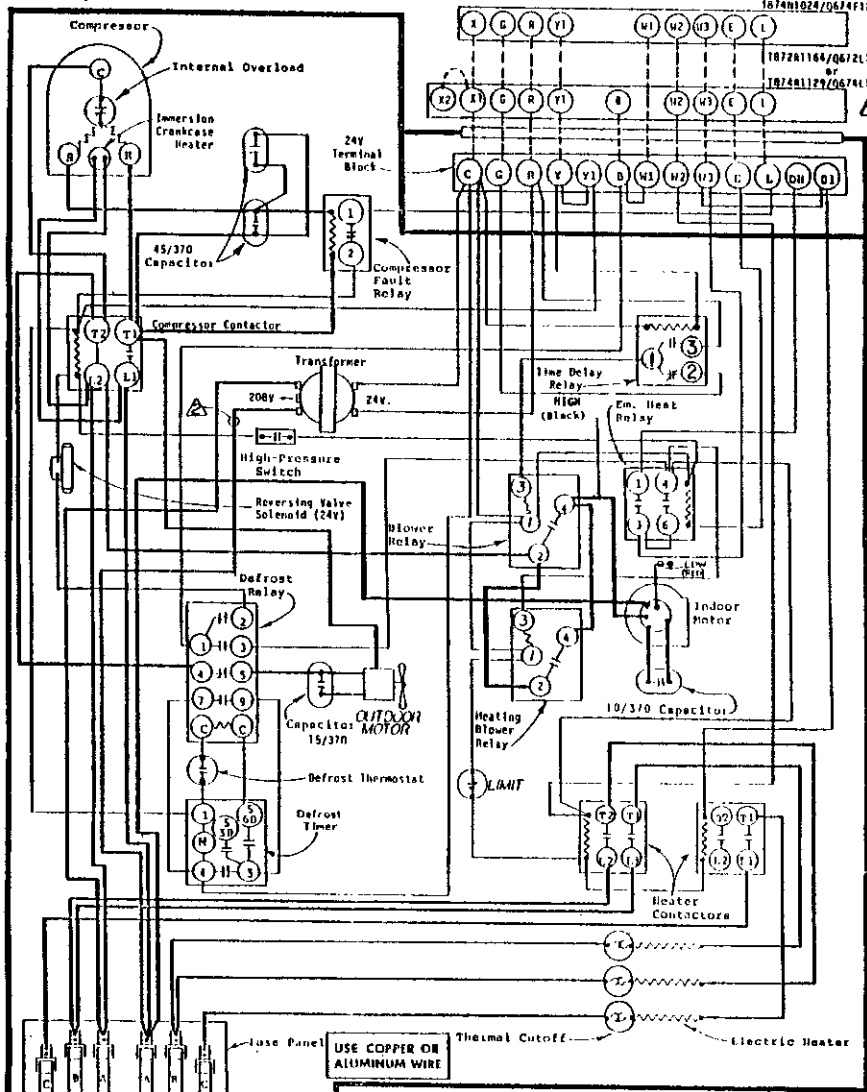


1072N1036/067211299
 or
 1072N1024/06741261

1072N1164/067211105
 or
 1072N1129/067411101



USE COPPER OR ALUMINUM WIRE

Fuse A - 60A Time Delay
 Fuse B - 60A Standard
 Fuse C - 30A Standard

FACILITY WIRING	FIELD WIRING
Low Voltage	-----
High Voltage	-----

All fuses Class KS

⚠ If there is an X1 and X2 (terminal on 107211101), jumper them together and connect from C to either one

⚠ For 208V operation move this wire to 208V transformer tap

MODEL
 81WH
 HEAT PUMP
 15 kw

230/208-60-1

4078-142 A