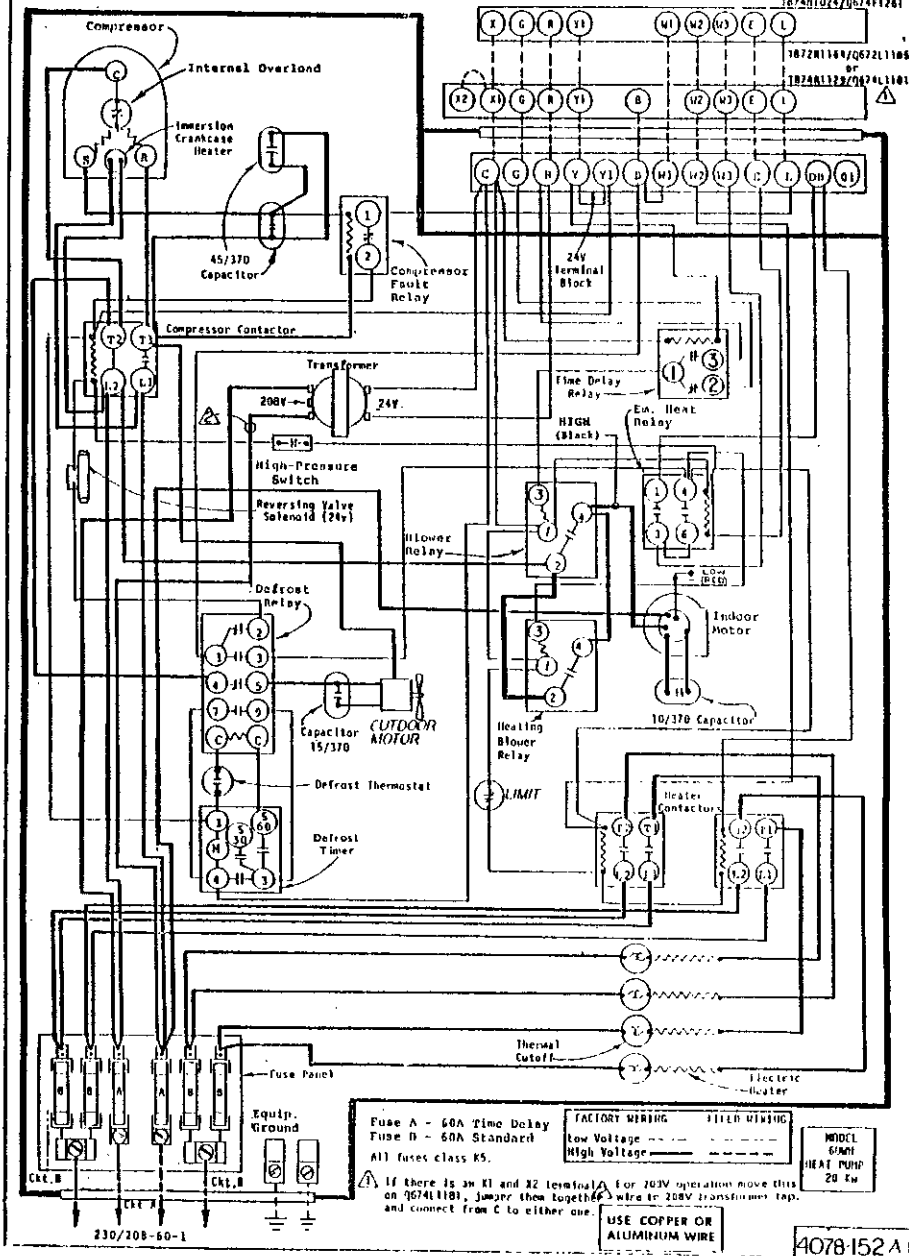


TR7241036/G672/1294  
 or  
 TR7411024/G674F1261

TR7241148/G672L1185  
 or  
 TR7241129/G674L1181



Fuse A - 60A Time Delay  
 Fuse B - 60A Standard  
 All fuses class K5.

⚠ If there is an K1 and K2 terminal ⚠ For 203V operation move this wire to 208V transformer tap, and connect from C to either one.

FACTORY WIRING      FIELD WIRING

Low Voltage - - - - -  
 High Voltage - - - - -

MODEL  
 4078  
 HEAT PUMP  
 20 KW

USE COPPER OR ALUMINUM WIRE

4078-152A