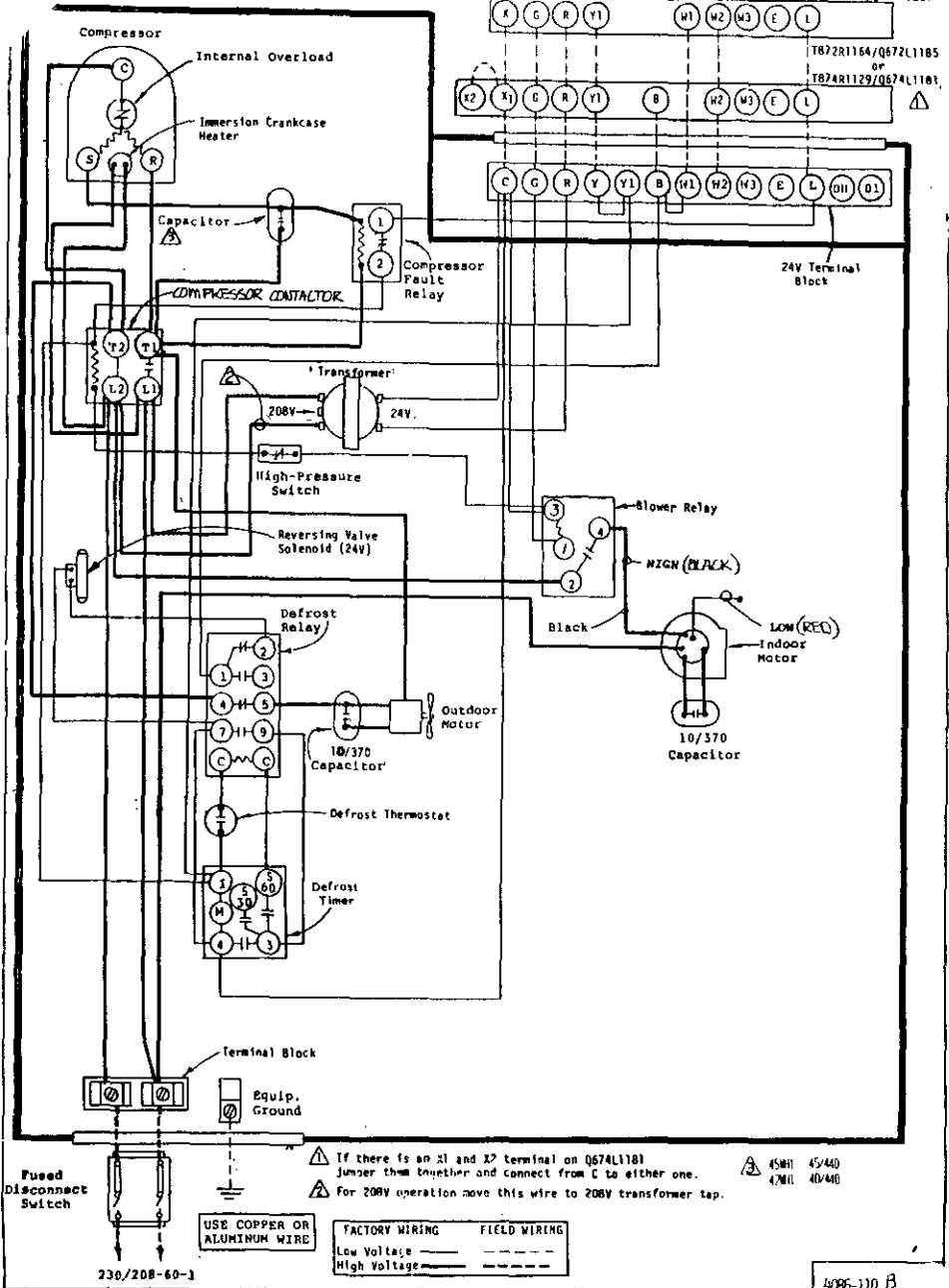


T872N1036/Q672F1299
 or
 T874N1024/Q674F1261

T872R1164/Q672L1185

or
 T874R1129/Q674L1181



⚠ If there is an X1 and X2 terminal on Q674L1181 jumper them together and connect from C to either one.
 ⚠ For 208V operation move this wire to 208V transformer tap.

⚠ 45M1 45/40
 47M11 40/40

USE COPPER OR ALUMINUM WIRE

FACTORY WIRING	FIELD WIRING
Low Voltage: _____	Low Voltage: _____
High Voltage: _____	High Voltage: _____

230/208-60-1

4885-110 B