

⚠ If there is an X1 jumper then together.   
 ⚠ If there is an X1 jumper then together.   
 ⚠ If there is an X1 jumper then together.

⚠ For 208V operation move this wire to 208V transformer tap.

⚠ 45M1 - 45/40  
 47M1 - 40/40

T872N1036/0672F1299  
 or  
 T874R1024/0674F1261

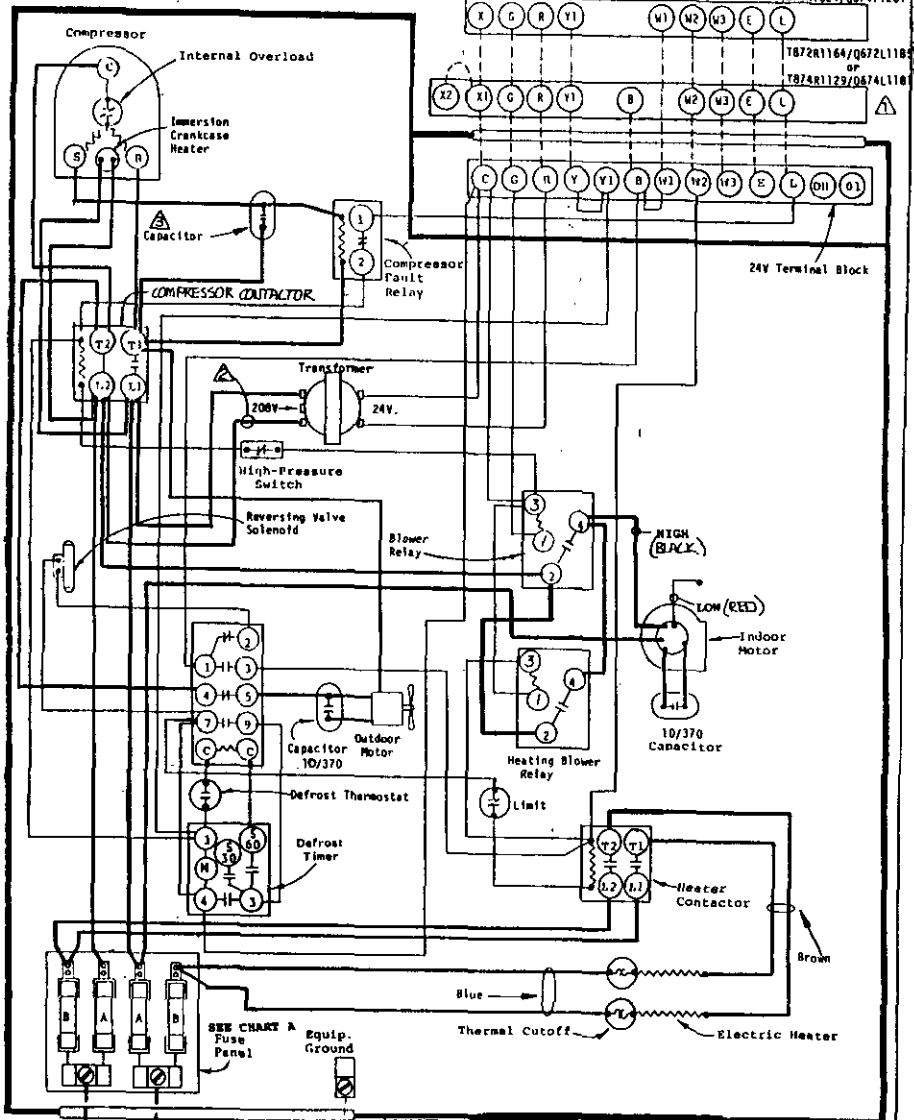


CHART A

Fuse A	50A Time Delay
Fuse B	60A Standard

ALL FUSES CLASS K5

FACTORY WIRING	FIELD WIRING
Low Voltage	-----
High Voltage	-----

USE COPPER OR ALUMINUM WIRE

230/208-60-1

4086-130 B