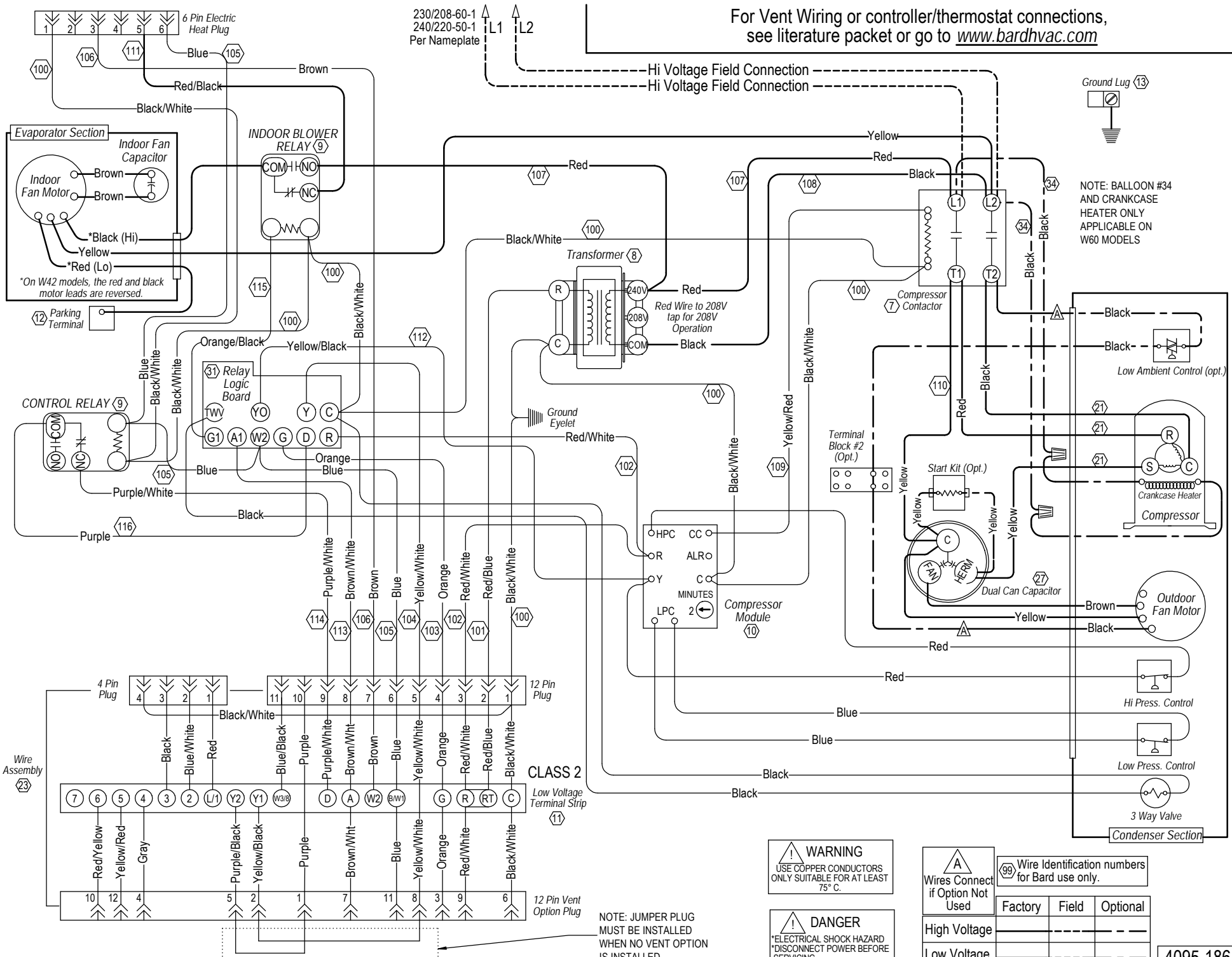


For Vent Wiring or controller/thermostat connections,
see literature packet or go to www.bardhvac.com



NOTE: BALLOON #34
AND CRANKCASE
HEATER ONLY
APPLICABLE ON
W60 MODELS

NOTE: JUMPER PLUG
MUST BE INSTALLED
WHEN NO VENT OPTION
IS INSTALLED

WARNING
USE COPPER CONDUCTORS
ONLY SUITABLE FOR AT LEAST
75° C.

DANGER
ELECTRICAL SHOCK HAZARD
DISCONNECT POWER BEFORE
SERVICING.

A
Wires Connect
if Option Not
Used

99 Wire Identification numbers
for Bard use only.

	Factory	Field	Optional
High Voltage			
Low Voltage			

4095-186 B