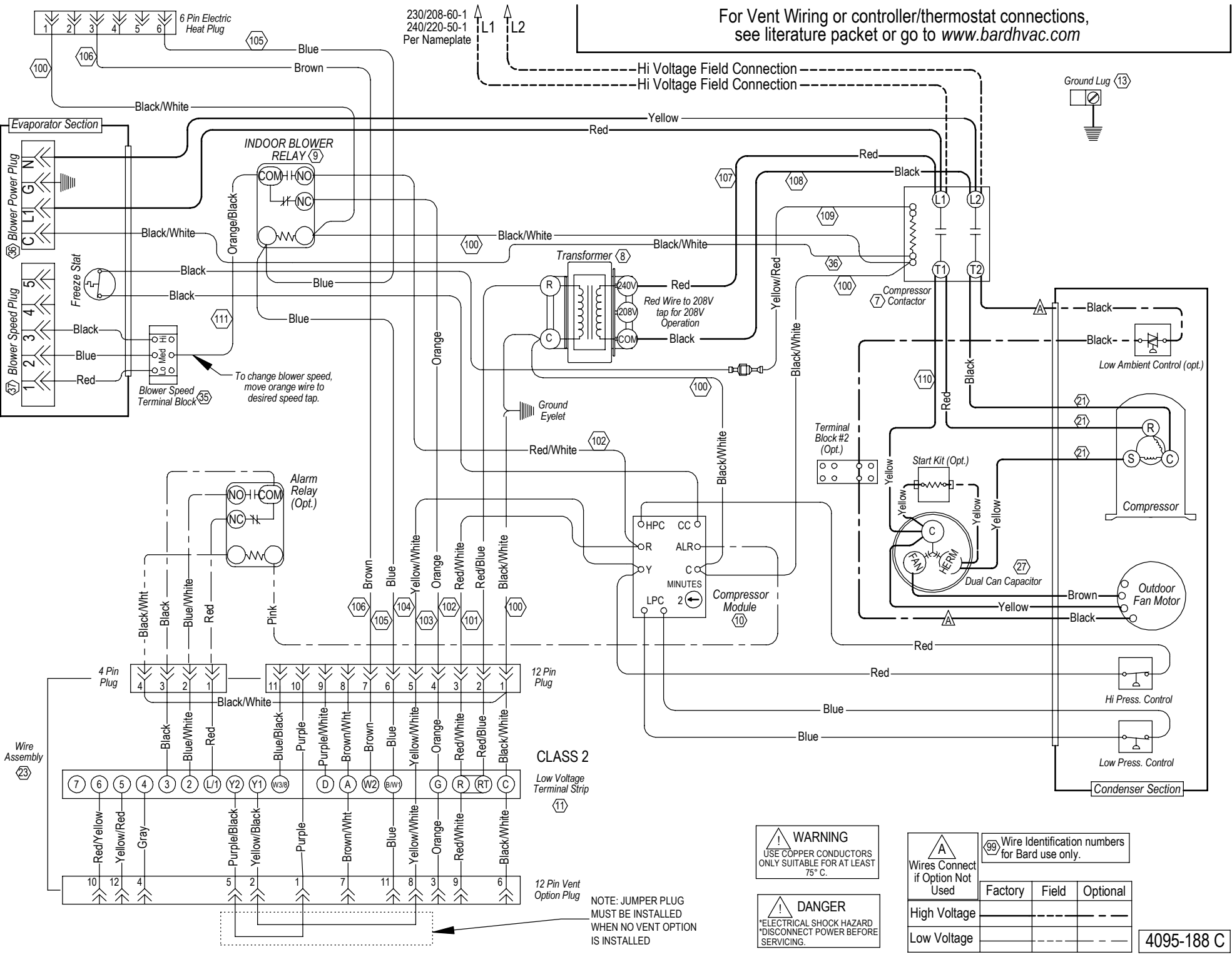


For Vent Wiring or controller/thermostat connections, see literature packet or go to www.bardhvac.com



230/208-60-1
240/220-50-1
Per Nameplate

Evaporator Section

INDOOR BLOWER RELAY (9)

Transformer (8)

Compressor Module (10)

Condenser Section

Wire Assembly (23)

CLASS 2
Low Voltage Terminal Strip (11)

NOTE: JUMPER PLUG MUST BE INSTALLED WHEN NO VENT OPTION IS INSTALLED

WARNING
USE COPPER CONDUCTORS ONLY SUITABLE FOR AT LEAST 75° C.

DANGER
ELECTRICAL SHOCK HAZARD DISCONNECT POWER BEFORE SERVICING.

A
Wires Connect if Option Not Used

High Voltage	-----	-----	-----
Low Voltage	-----	-----	-----

(99) Wire Identification numbers for Bard use only.

	Factory	Field	Optional
High Voltage	-----	-----	-----
Low Voltage	-----	-----	-----

4095-188 C