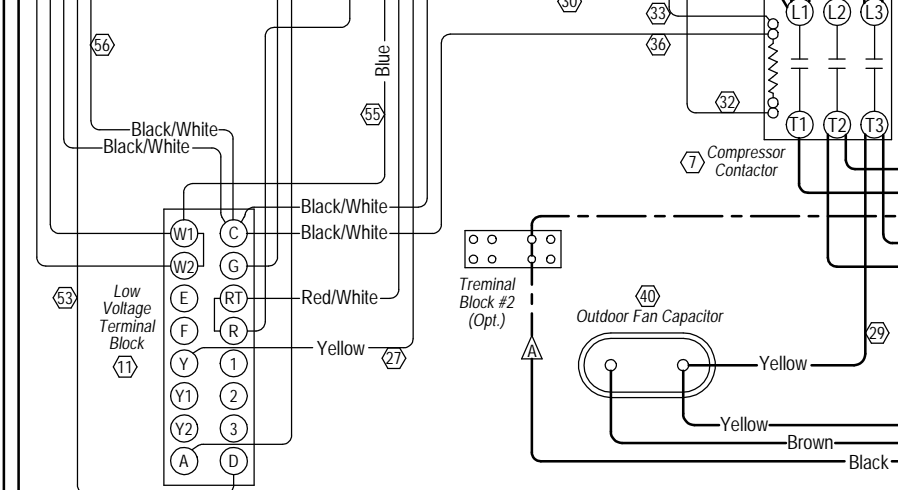
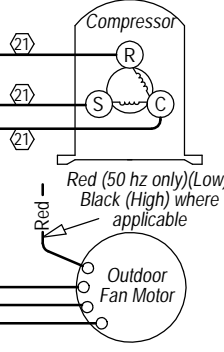
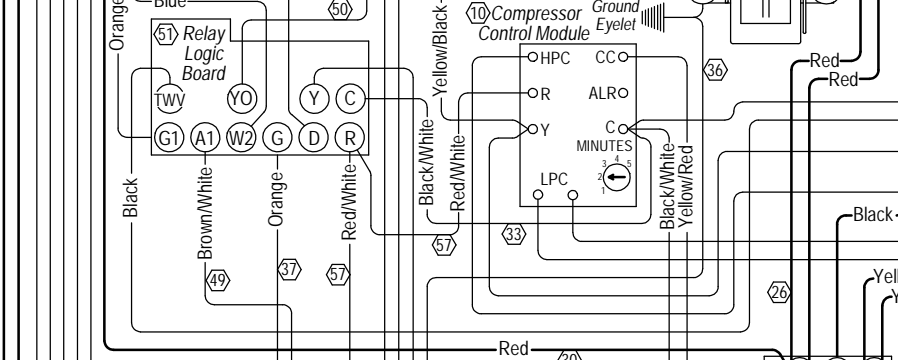
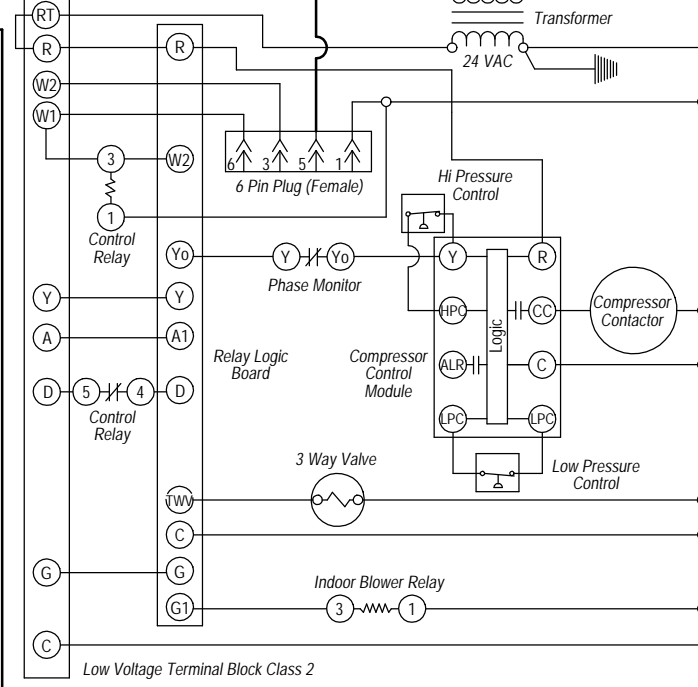
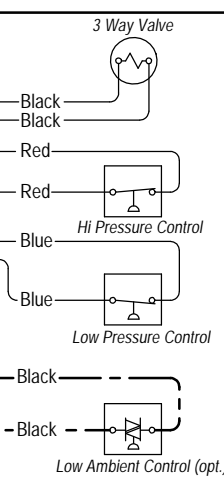
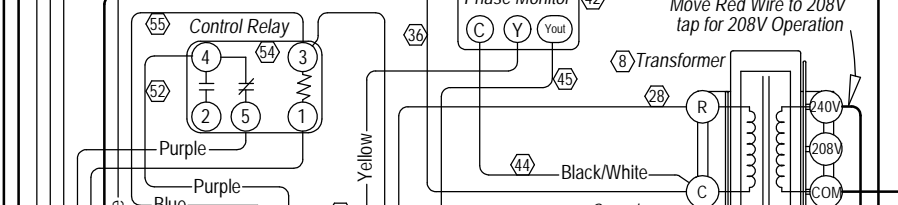
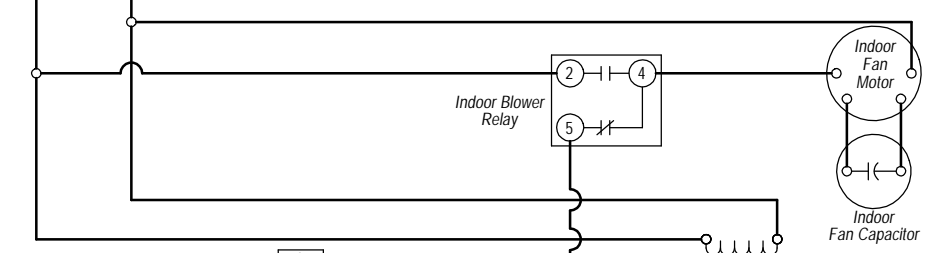
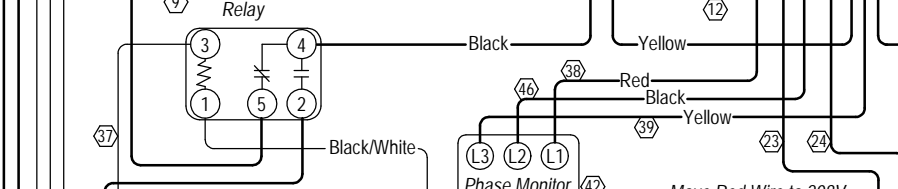
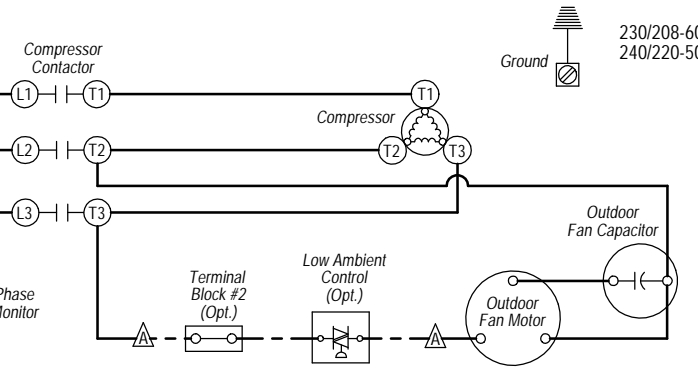
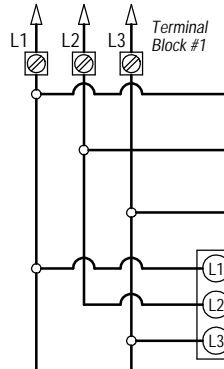
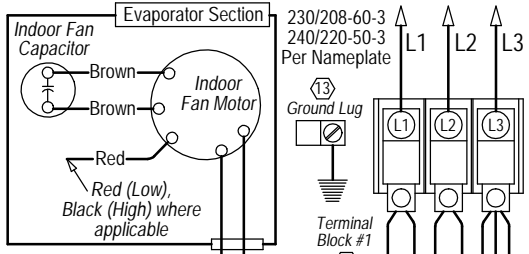
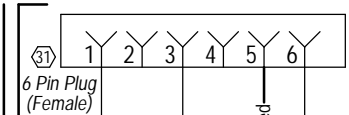


230/208-60-3
240/220-50-3



| | | | |
|--|---|-------|----------|
| <p>A Wires Connect if Option Not Used</p> | <p>99 Wire Identification numbers for Bard use only.</p> | | |
| | Factory | Field | Optional |
| High Voltage | ----- | ----- | ----- |
| Low Voltage | ----- | ----- | ----- |

WARNING
USE COPPER CONDUCTORS
ONLY SUITABLE FOR AT LEAST
75° C.

DANGER
ELECTRICAL SHOCK HAZARD
DISCONNECT POWER BEFORE
SERVICING.

4095-258 B