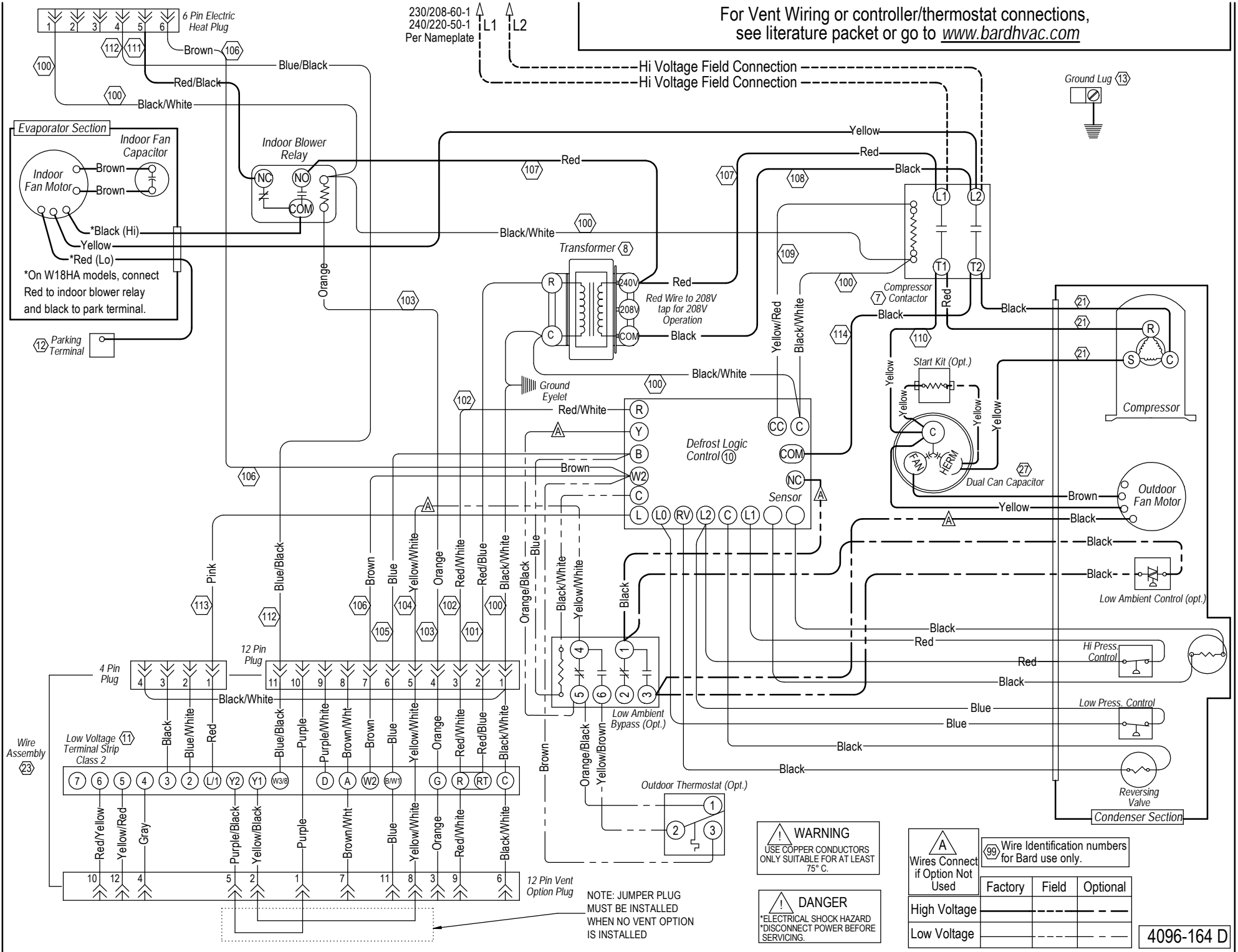


For Vent Wiring or controller/thermostat connections, see literature packet or go to www.bardhvac.com

230/208-60-1
240/220-50-1
Per Nameplate



*On W18HA models, connect Red to indoor blower relay and black to park terminal.

NOTE: JUMPER PLUG MUST BE INSTALLED WHEN NO VENT OPTION IS INSTALLED

WARNING
USE COPPER CONDUCTORS ONLY SUITABLE FOR AT LEAST 75° C.

DANGER
ELECTRICAL SHOCK HAZARD DISCONNECT POWER BEFORE SERVICING.

A
Wires Connect if Option Not Used

Wire Identification numbers for Bard use only.

	Factory	Field	Optional
High Voltage			
Low Voltage			

4096-164 D