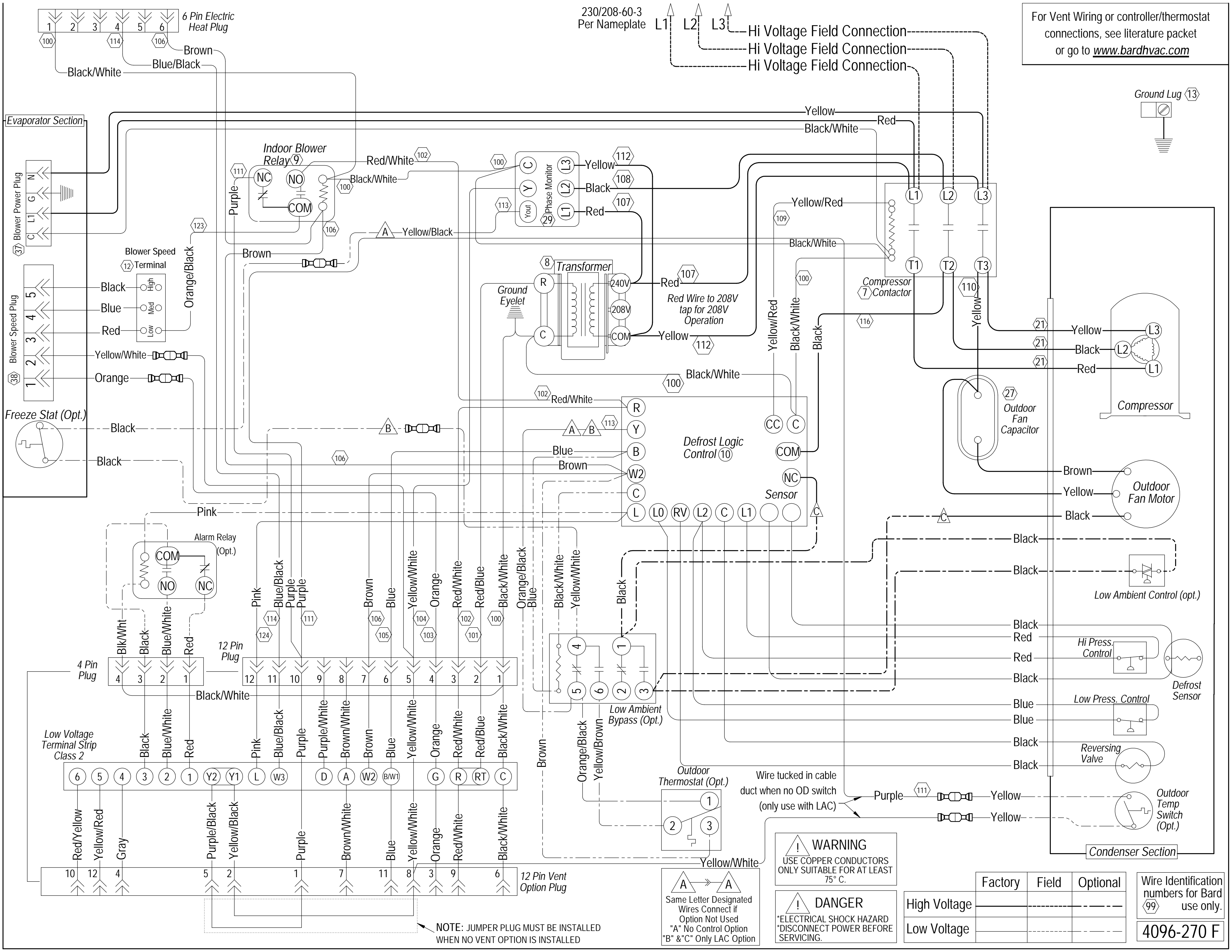


230/208-60-3
Per Nameplate

L1 L2 L3
Hi Voltage Field Connection
Hi Voltage Field Connection
Hi Voltage Field Connection

For Vent Wiring or controller/thermostat connections, see literature packet or go to www.bardhvac.com



NOTE: JUMPER PLUG MUST BE INSTALLED WHEN NO VENT OPTION IS INSTALLED

A → **A**
Same Letter Designated Wires Connect if Option Not Used
"A" No Control Option
"B" & "C" Only LAC Option

WARNING
USE COPPER CONDUCTORS ONLY SUITABLE FOR AT LEAST 75° C.

DANGER
*ELECTRICAL SHOCK HAZARD
*DISCONNECT POWER BEFORE SERVICING.

	Factory	Field	Optional
High Voltage			
Low Voltage			

Wire Identification numbers for Bard use only.
4096-270 F