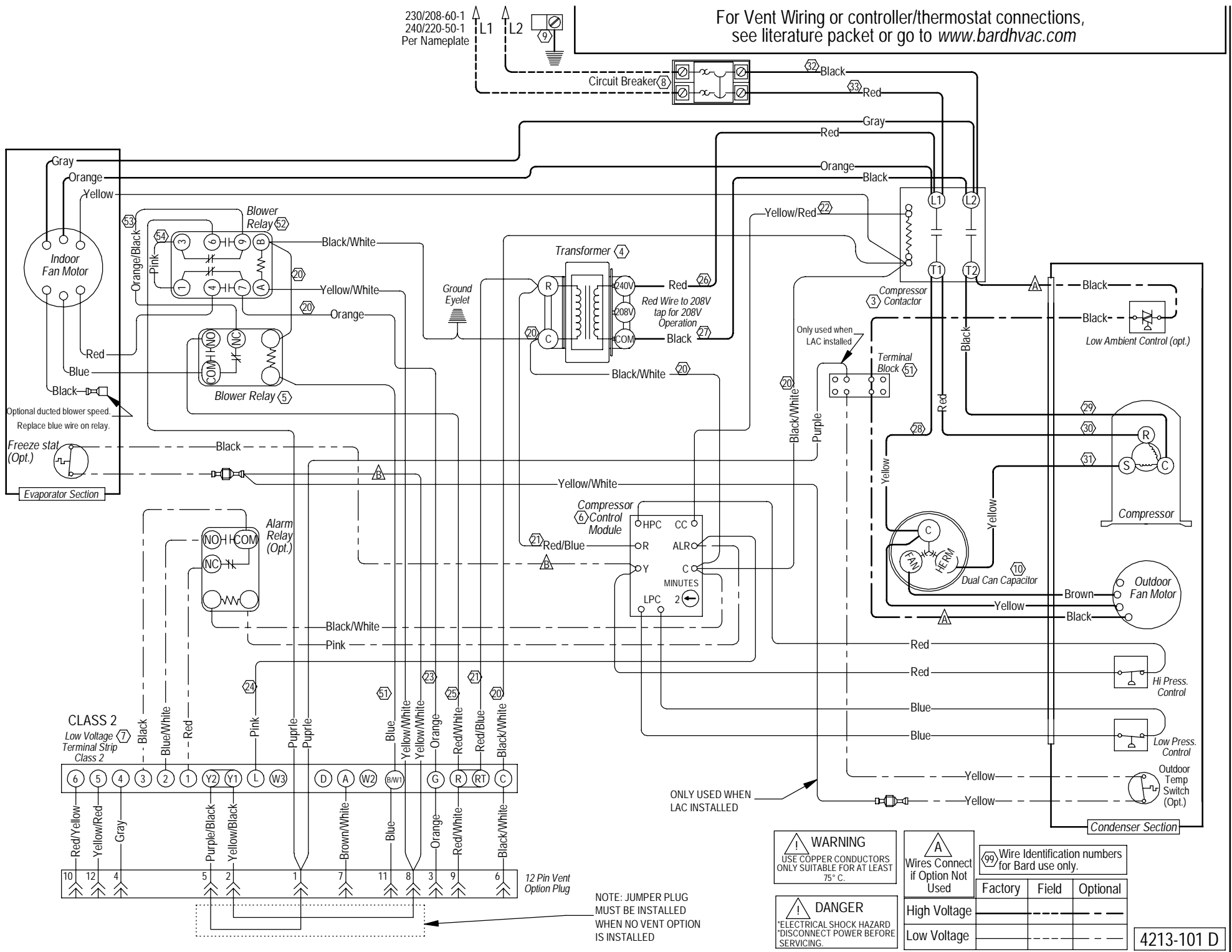


230/208-60-1  
240/220-50-1  
Per Nameplate

For Vent Wiring or controller/thermostat connections,  
see literature packet or go to [www.bardhvac.com](http://www.bardhvac.com)



Optional ducted blower speed.  
Replace blue wire on relay.

Freeze stat (Opt.)

Evaporator Section

Blower Relay (5)

Blower Relay (5)

Alarm Relay (Opt.)

CLASS 2  
Low Voltage  
Terminal Strip  
Class 2

10 12 4 5 2 1 7 11 8 3 9 6

Red/Yellow Yellow/Red Gray Purple/Black Yellow/Black Brown/White Blue Orange Red/White Black/White

6 5 4 3 2 1 Y2 Y1 L W3 D A W2 B/W1 G R RT C

12 Pin Vent Option Plug

NOTE: JUMPER PLUG MUST BE INSTALLED WHEN NO VENT OPTION IS INSTALLED

ONLY USED WHEN LAC INSTALLED

**WARNING**  
USE COPPER CONDUCTORS ONLY SUITABLE FOR AT LEAST 75° C.

**DANGER**  
ELECTRICAL SHOCK HAZARD DISCONNECT POWER BEFORE SERVICING.

**A**  
Wires Connect if Option Not Used

High Voltage

Low Voltage

99 Wire Identification numbers for Bard use only.

	Factory	Field	Optional
High Voltage			
Low Voltage			

4213-101 D