

T874N1024/
Q674F1261
or
T874R1129/
Q674F1181

24V. Terminal
Block

Defrost
Therm.

20A
Circuit
Breaker
for 18WH4
30A
Circuit
Breaker
for 24WH4
Equip.
Ground

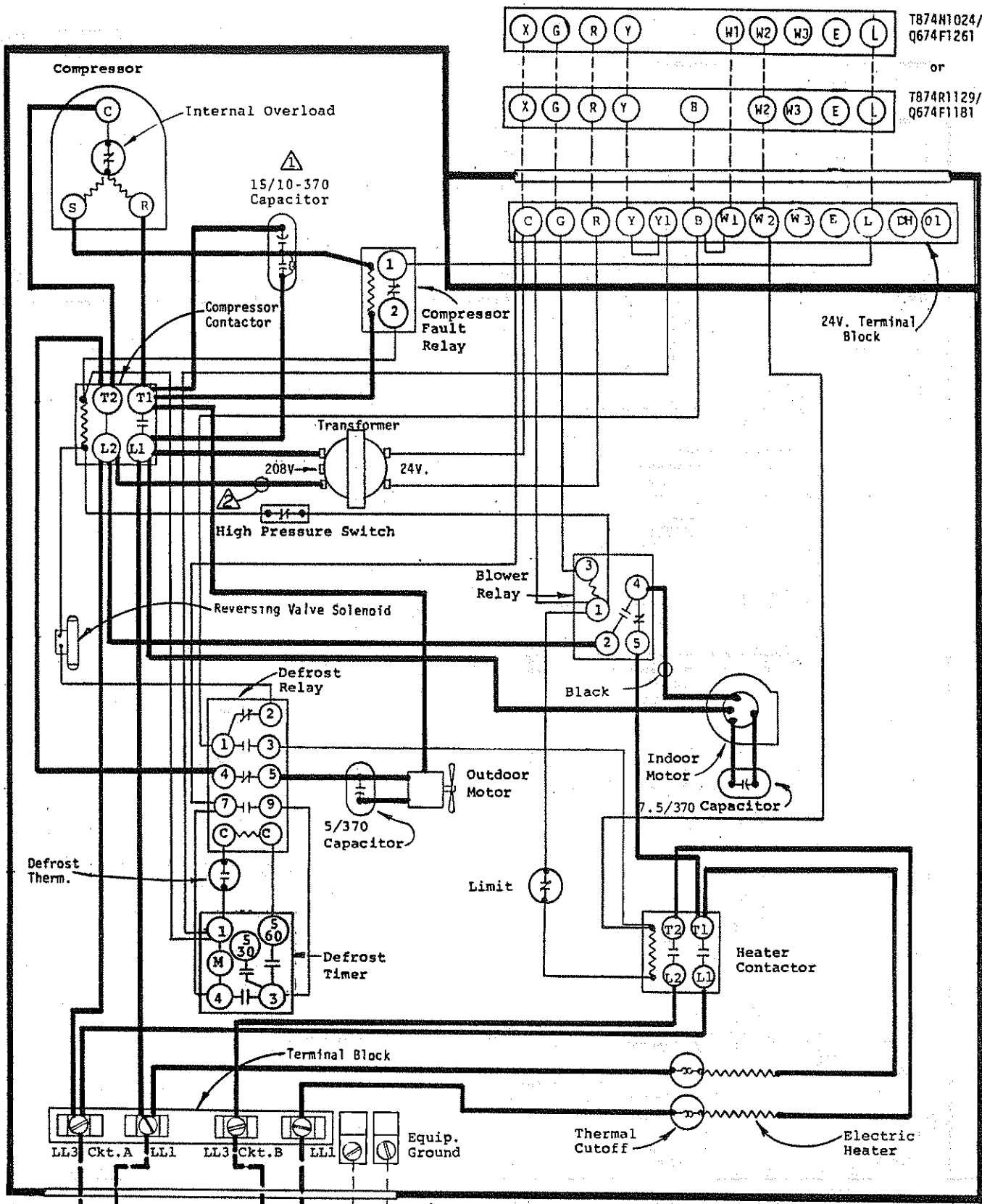
⚠ Capacitor provides off-cycle
crankcase heat.
⚠ For 208V operation move this
wire to 208V transformer tap.

FACTORY WIRING	FIELD WIRING
Low Voltage	-----
High Voltage	-----

18WH4-24WH4
Heat Pump

4011-111

230/208-60-1



T874N1024/
Q674F1261

or
T874R1129/
Q674F1181

24V. Terminal
Block

Defrost
Therm.

⚠ Capacitor provides off-cycle
crankcase heat.
⚠ For 208V operation move this
wire to 208V transformer tap.

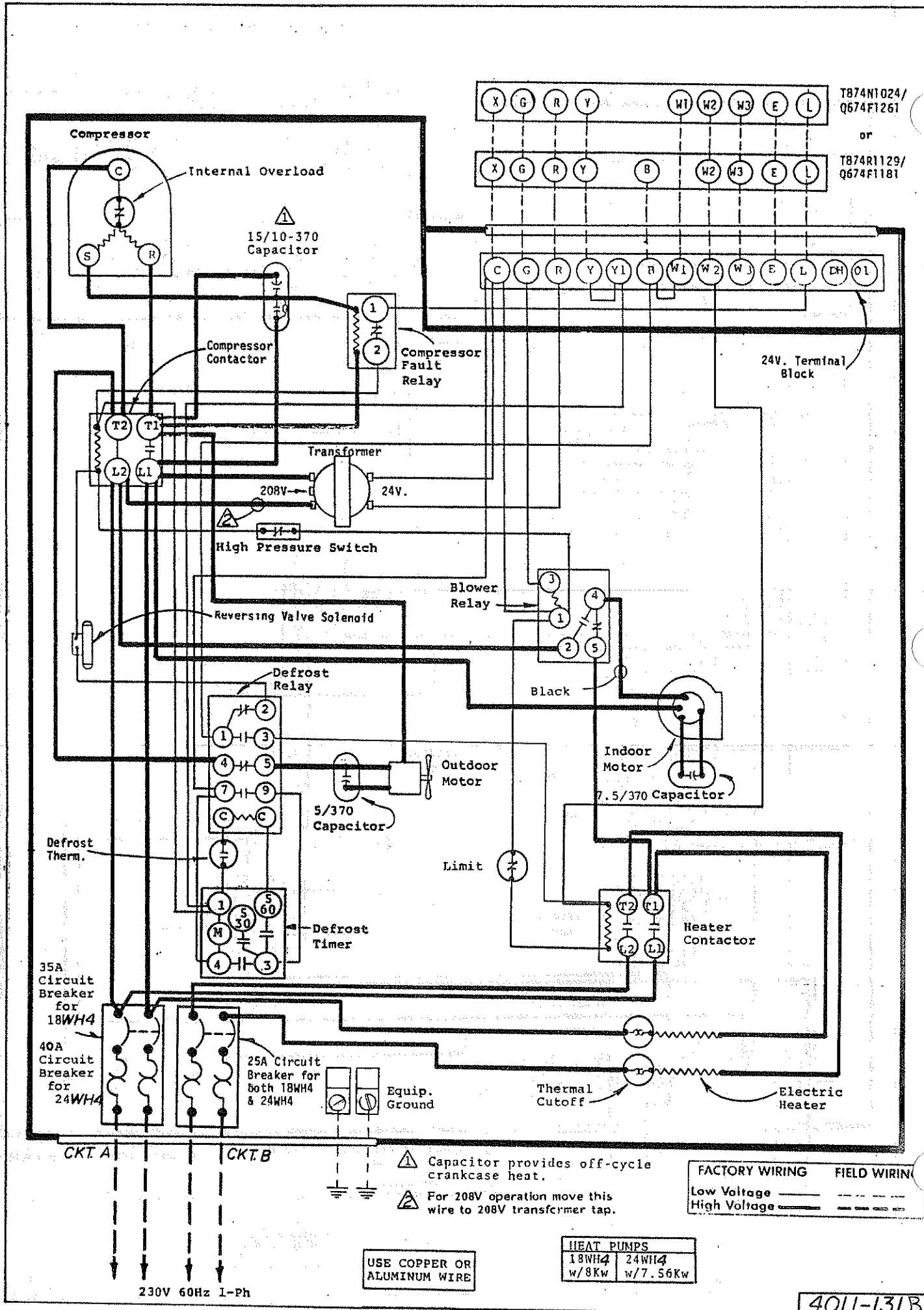
FACTORY WIRING	FIELD WIRING
Low Voltage	-----
High Voltage	-----

HEAT PUMPS	
18WH4	24WH4
w/8Kw	w/7.56Kw

USE COPPER OR
ALUMINUM WIRE

230V 60Hz 1-Ph

4011-130M



T874N1024/
Q674F1261

or
T874R1129/
Q674F1181

24V. Terminal Block

35A
Circuit
Breaker
for
18WH4

40A
Circuit
Breaker
for
24WH4

25A Circuit
Breaker
for
Both 18WH4
& 24WH4

Equip.
Ground

- ⚠ Capacitor provides off-cycle crankcase heat.
- ⚠ For 208V operation move this wire to 208V transformer tap.

FACTORY WIRING	FIELD WIRING
Low Voltage	-----
High Voltage	-----

HEAT PUMPS	
18WH4	24WH4
w/8Kw	w/7.56Kw

USE COPPER OR ALUMINUM WIRE

4011-131B

230V 60Hz 1-Ph