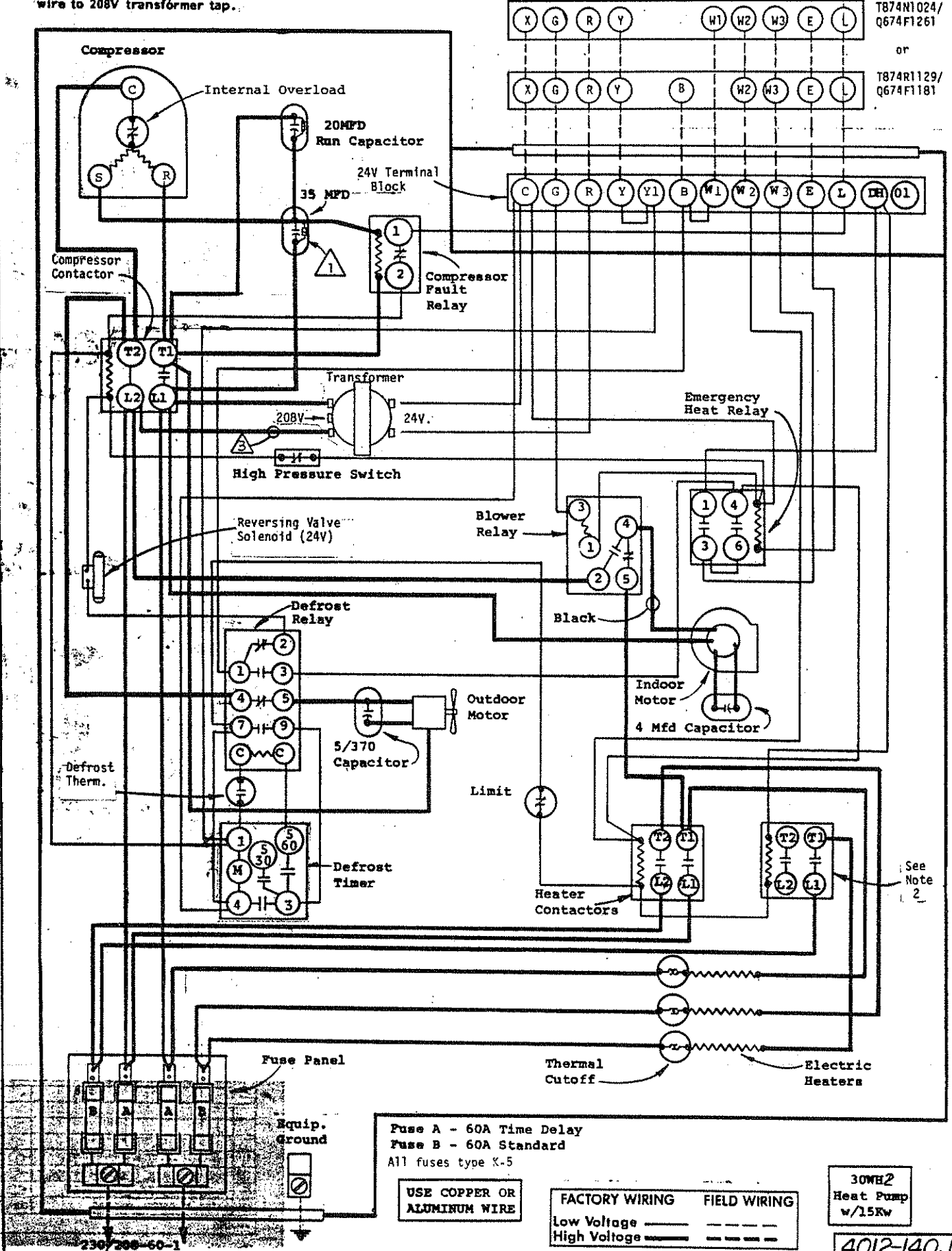


- ⚠️ Capacitor provides off-cycle crankcase heat.
- ⚠️ 2nd heat contactor operates only during emergency heat or compressor cutoff.
- ⚠️ For 208V operation move this wire to 208V transformer tap.



T874N1024/
Q674F1261
or
T874R1129/
Q674F1181

Fuse A - 60A Time Delay
Fuse B - 60A Standard
All fuses type K-5

USE COPPER OR ALUMINUM WIRE

	FACTORY WIRING	FIELD WIRING
Low Voltage	_____	-----
High Voltage	_____	-----

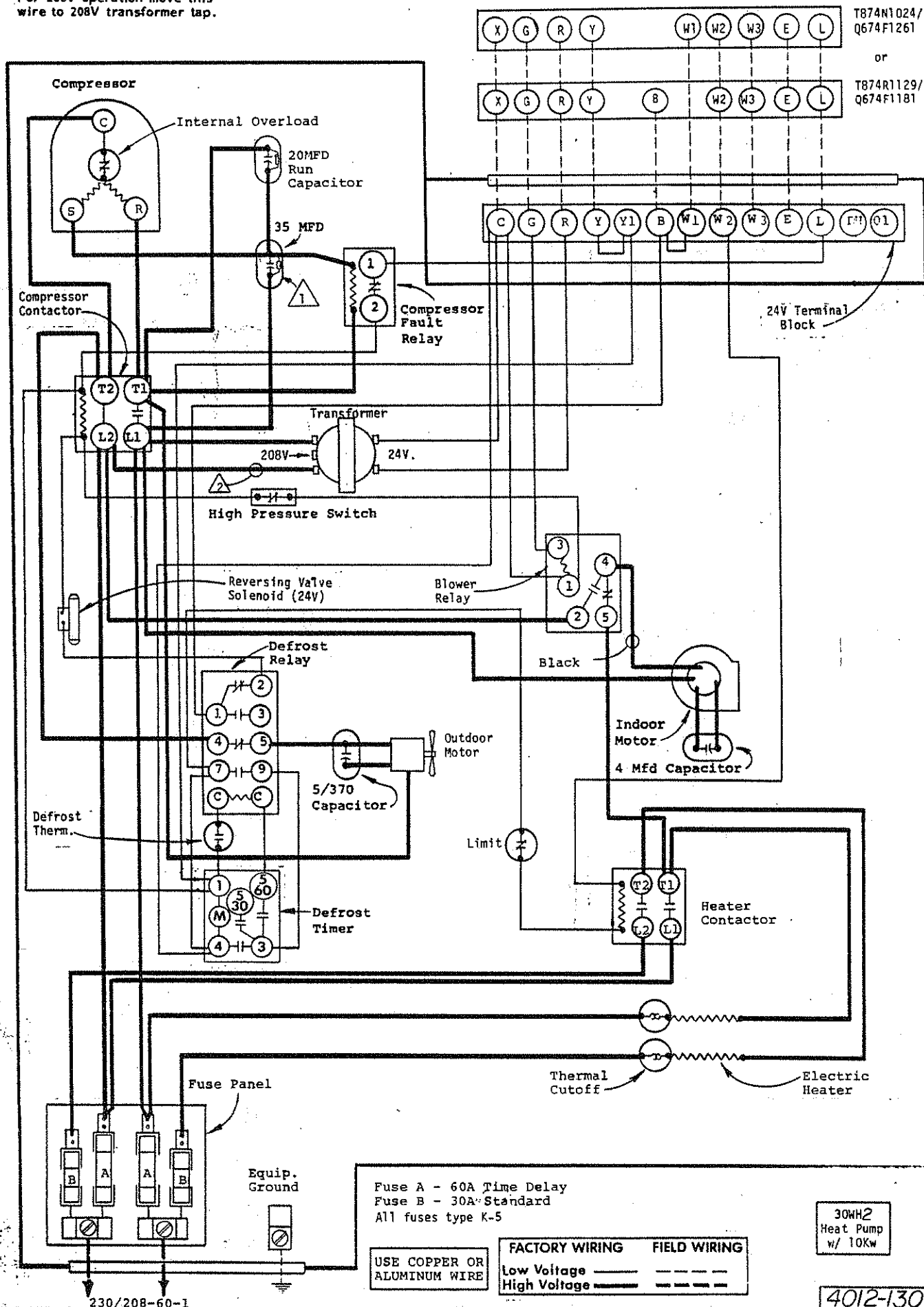
30WB2
Heat Pump
w/15Kw

4012-140J

230/208-60-1

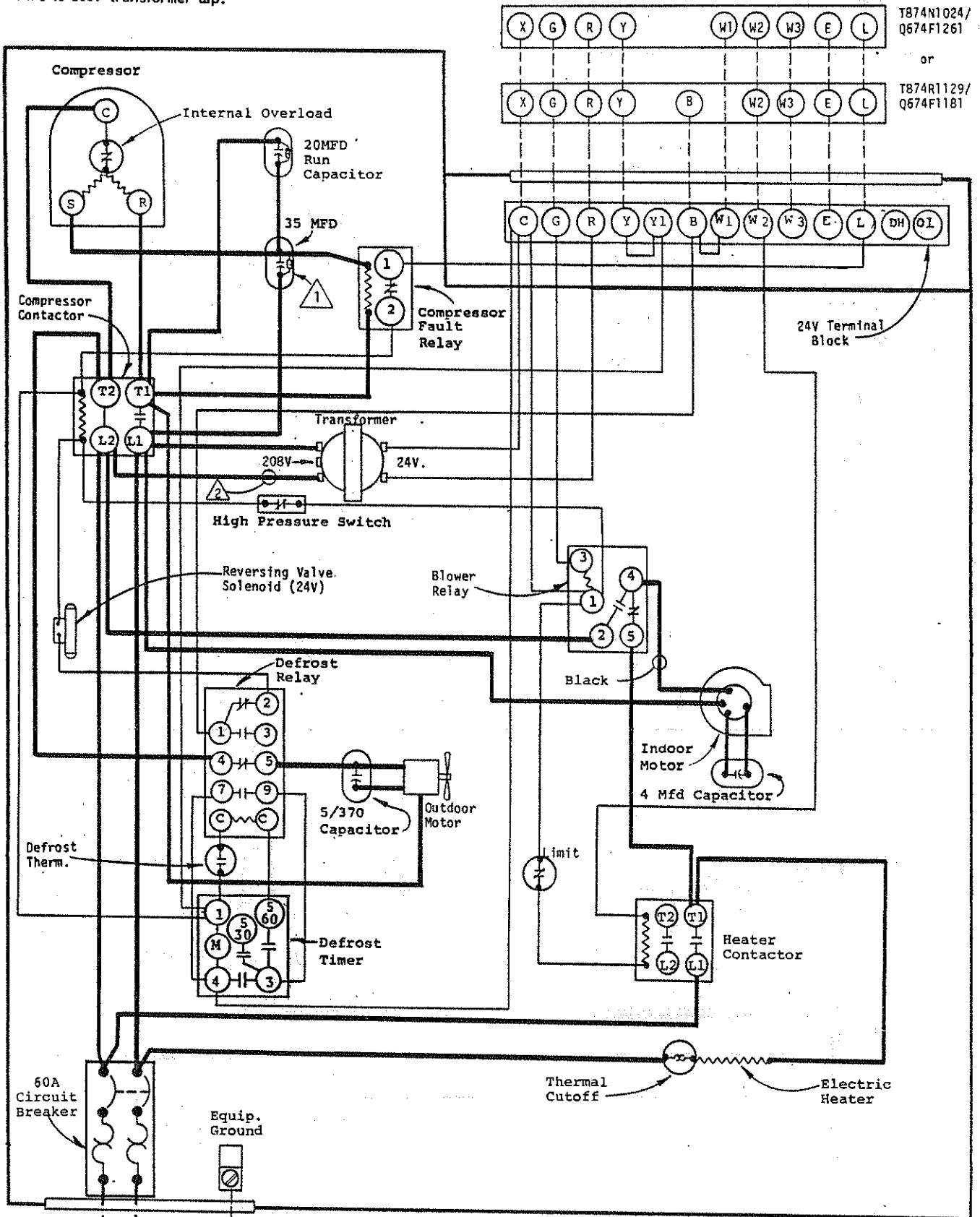
⚠ Capacitor provides off-cycle crankcase heat.

⚠ For 208V operation move this wire to 208V transformer tap.



1 Capacitor provides off-cycle crankcase heat.

2 For 208V operation move this wire to 208V transformer tap.



T874N1024/
Q674F1261

or
T874R1129/
Q674F1181

24V Terminal Block

Black

Heater Contactor

30WH2
Heat Pump
w/5Kw

230/208-60-1

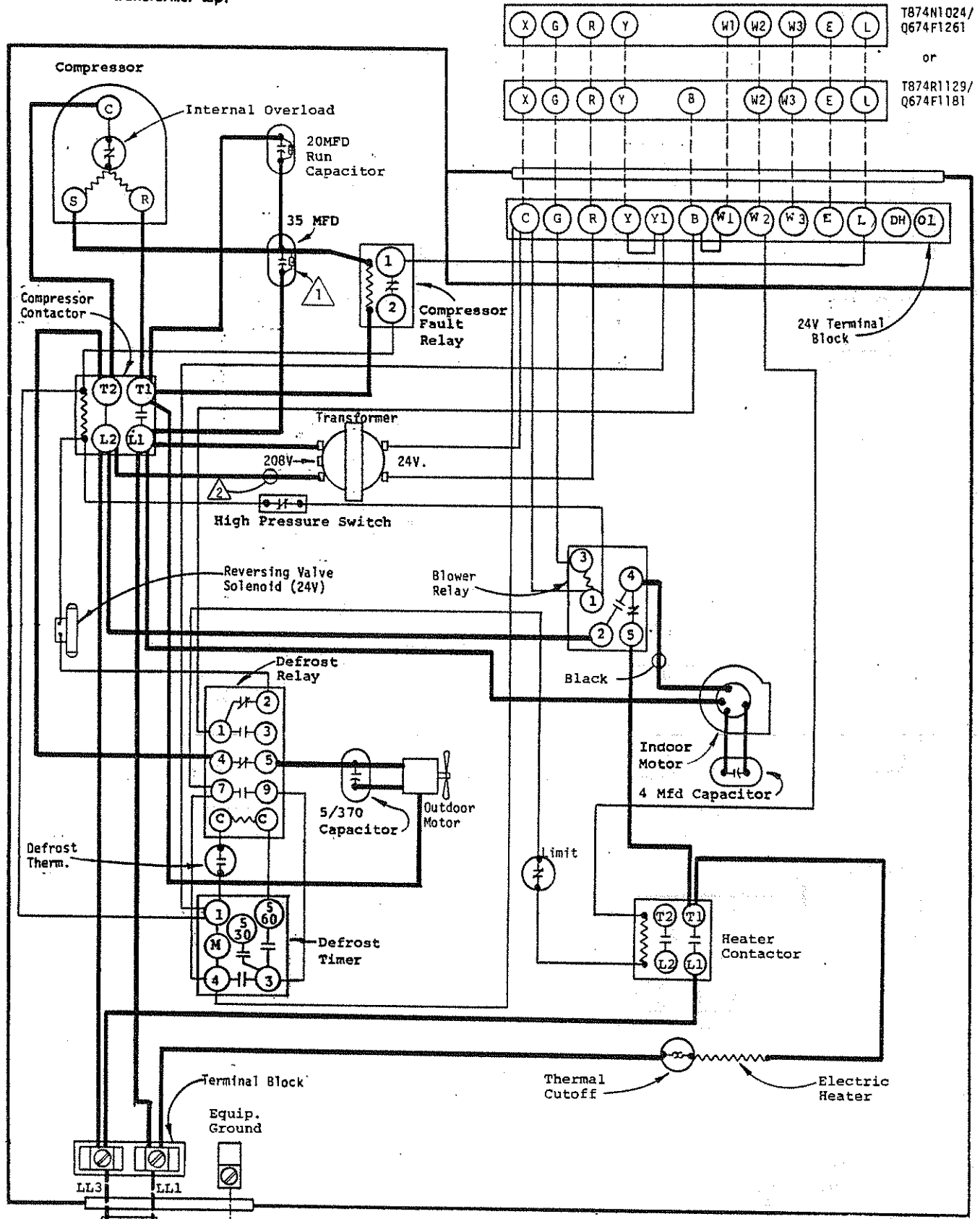
USE COPPER OR
ALUMINUM WIRE

	FACTORY WIRING	FIELD WIRING
Low Voltage	—————	-----
High Voltage	—————	-----

4012-121

⚠️ Capacitor provides off-cycle crankcase heat.

⚠️ For 208V operation move this wire to 208V transformer tap.



T874N1024/
Q674F1261
or
T874R1129/
Q674F1181

24V Terminal Block

230/208-60-1

USE COPPER OR ALUMINUM WIRE

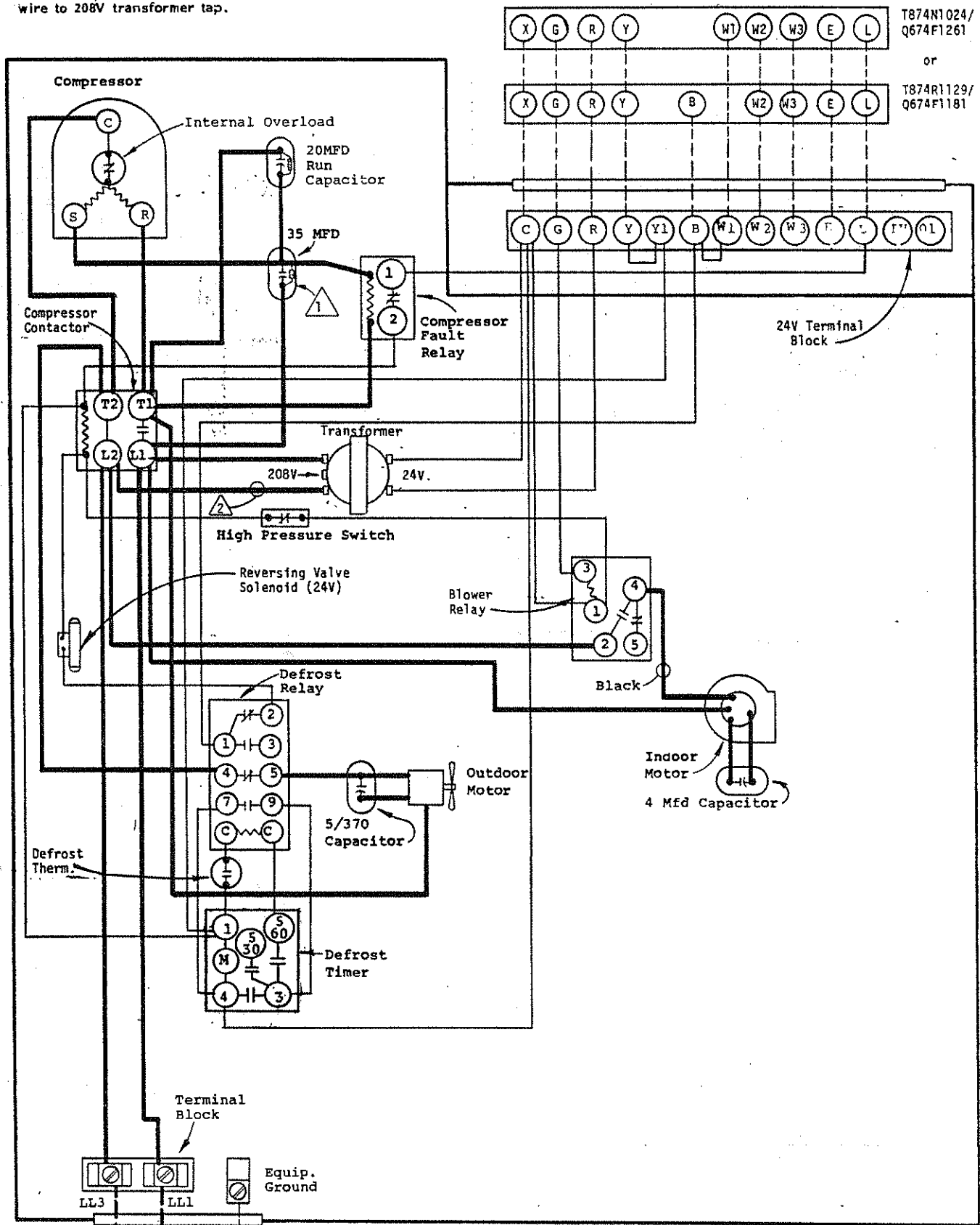
	FACTORY WIRING	FIELD WIRING
Low Voltage	—————	- - - - -
High Voltage	—————	- - - - -

30WH2
Heat Pump
w/5Kw

4012-120.1

⚠ Capacitor provides off-cycle crankcase heat.

⚠ For 208V operation move this wire to 208V transformer tap.



T874N1024/
Q674F1261

or
T874R1129/
Q674F1181

24V Terminal
Block

Indoor
Motor
4 Mfd Capacitor

Fused
Disconnect
Switch

230/208-60-1

USE COPPER OR
ALUMINUM WIRE

	FACTORY WIRING	FIELD WIRING
Low Voltage	————	-----
High Voltage	————	-----

30WH2
Heat Pump

4012-110I