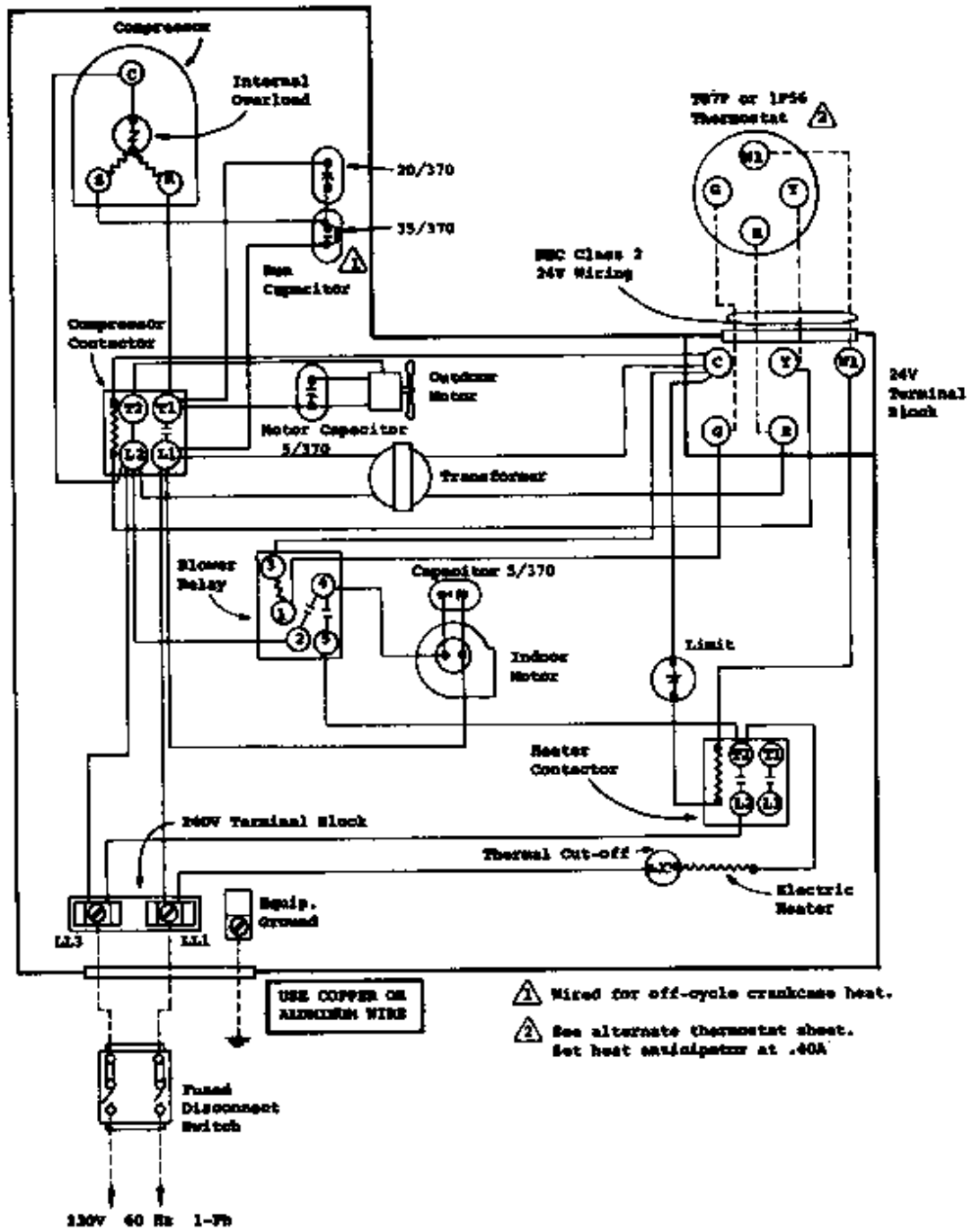


Model  
36NA3

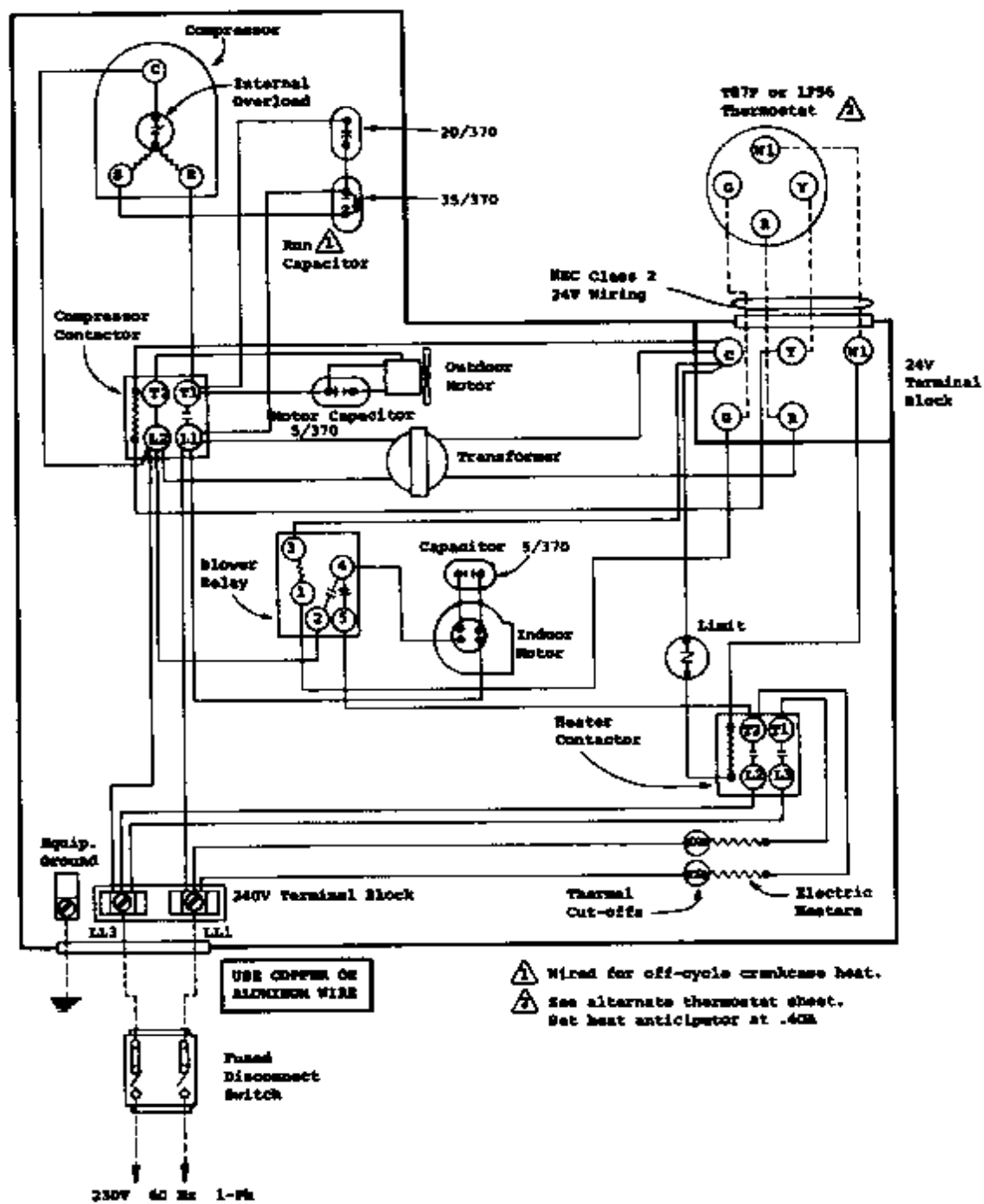
Factory Wiring ———  
Field Wiring - - - - -

4009-110 Rev.A



Model  
14WA3  
w/3W

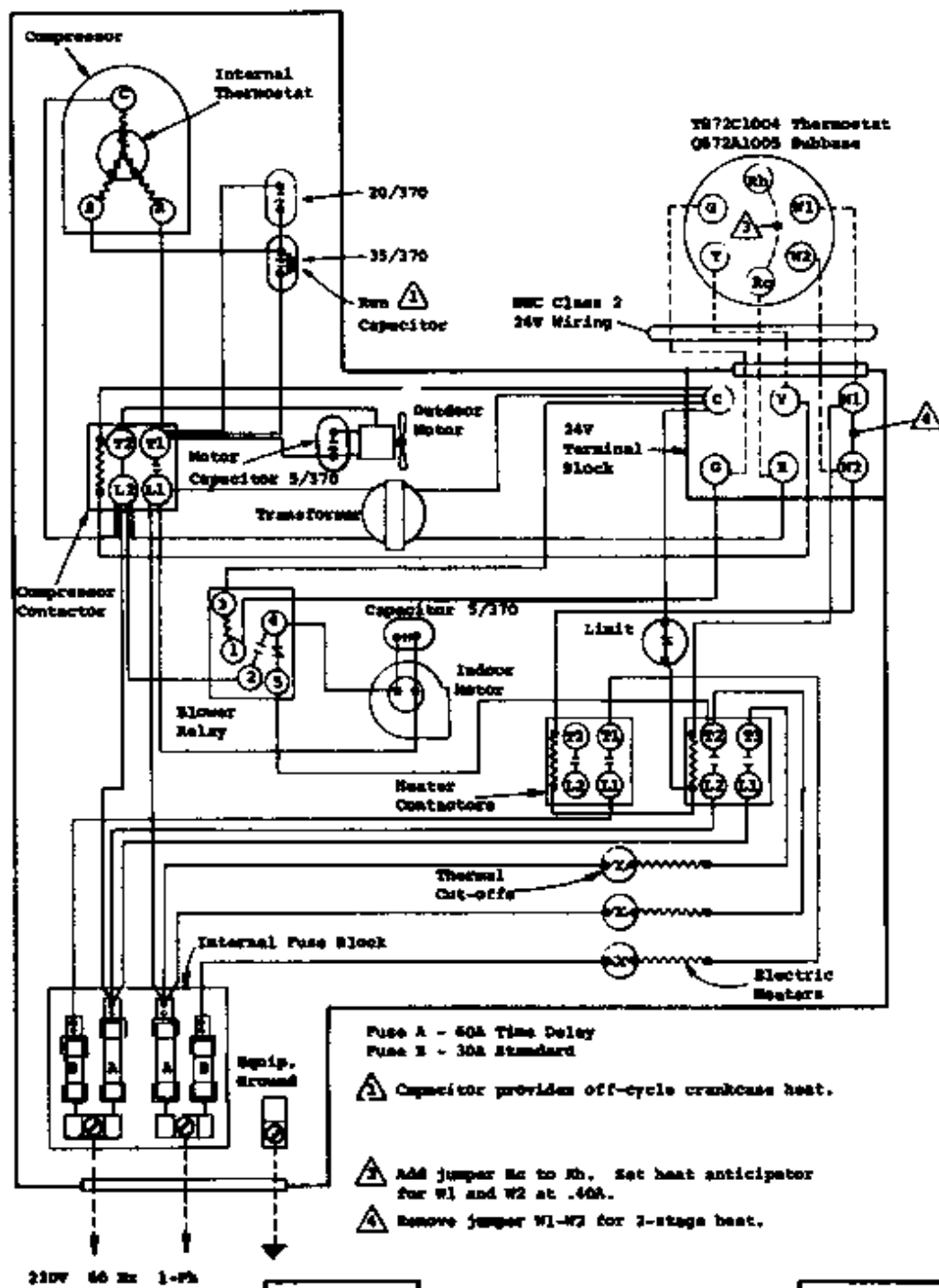
Factory Wiring ———  
Field Wiring - - - - -



Model  
368A3  
w/100r

Factory Wiring ———  
Field Wiring - - - - -

4009-130 Rev.A



Fuse A - 60A Time Delay  
 Fuse B - 30A Standard

⚠ Capacitor provides off-cycle crankcase heat.

⚠ Add jumper R2 to Rh. Set heat anticipator for W1 and W2 at .40A.

⚠ Remove jumper W1-W2 for 2-stage heat.

USE COPPER OR ALUMINUM WIRE

Model 300A.3  
 w/LSR

Factory Wiring ———  
 Field Wiring - - - - -