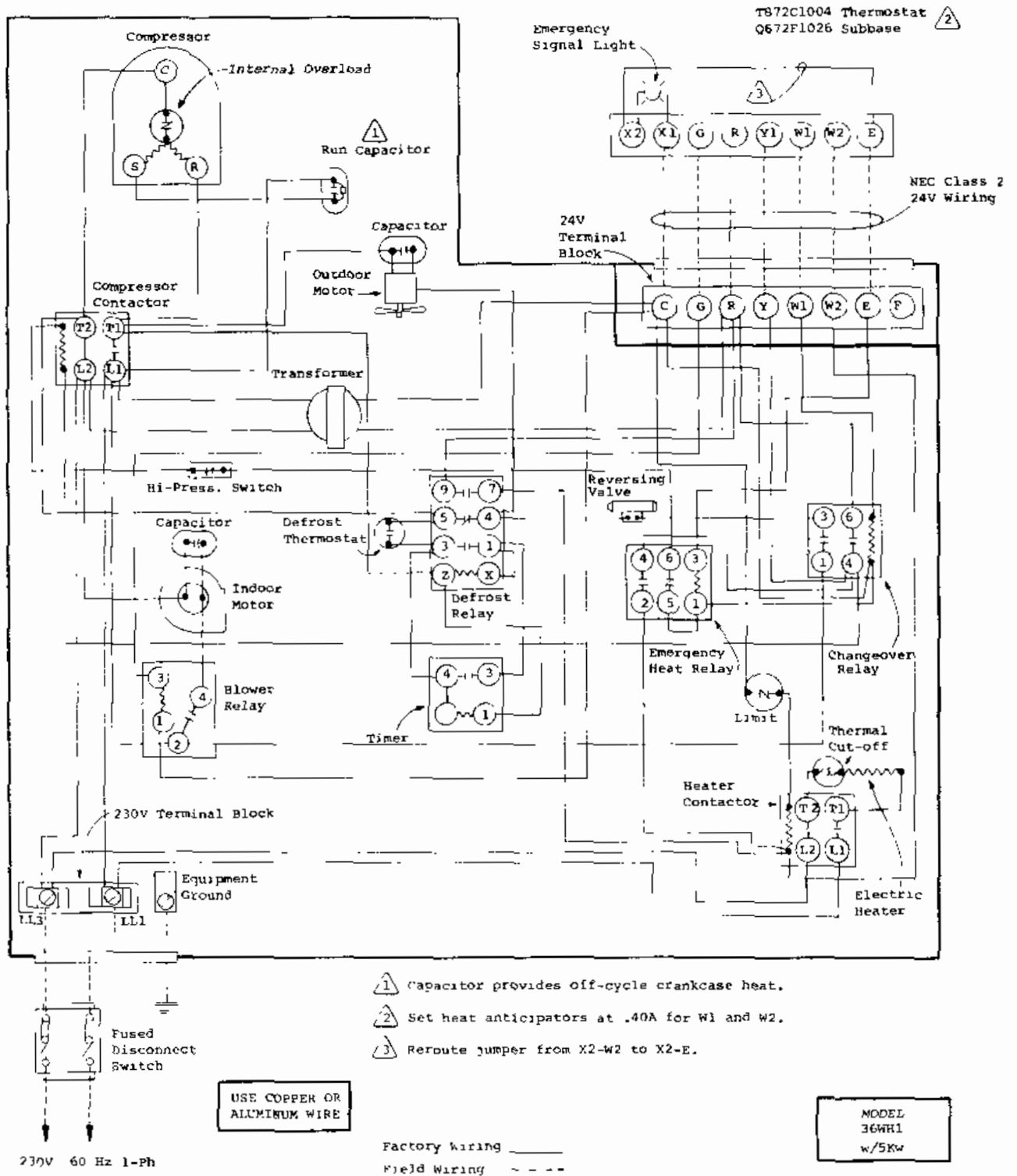
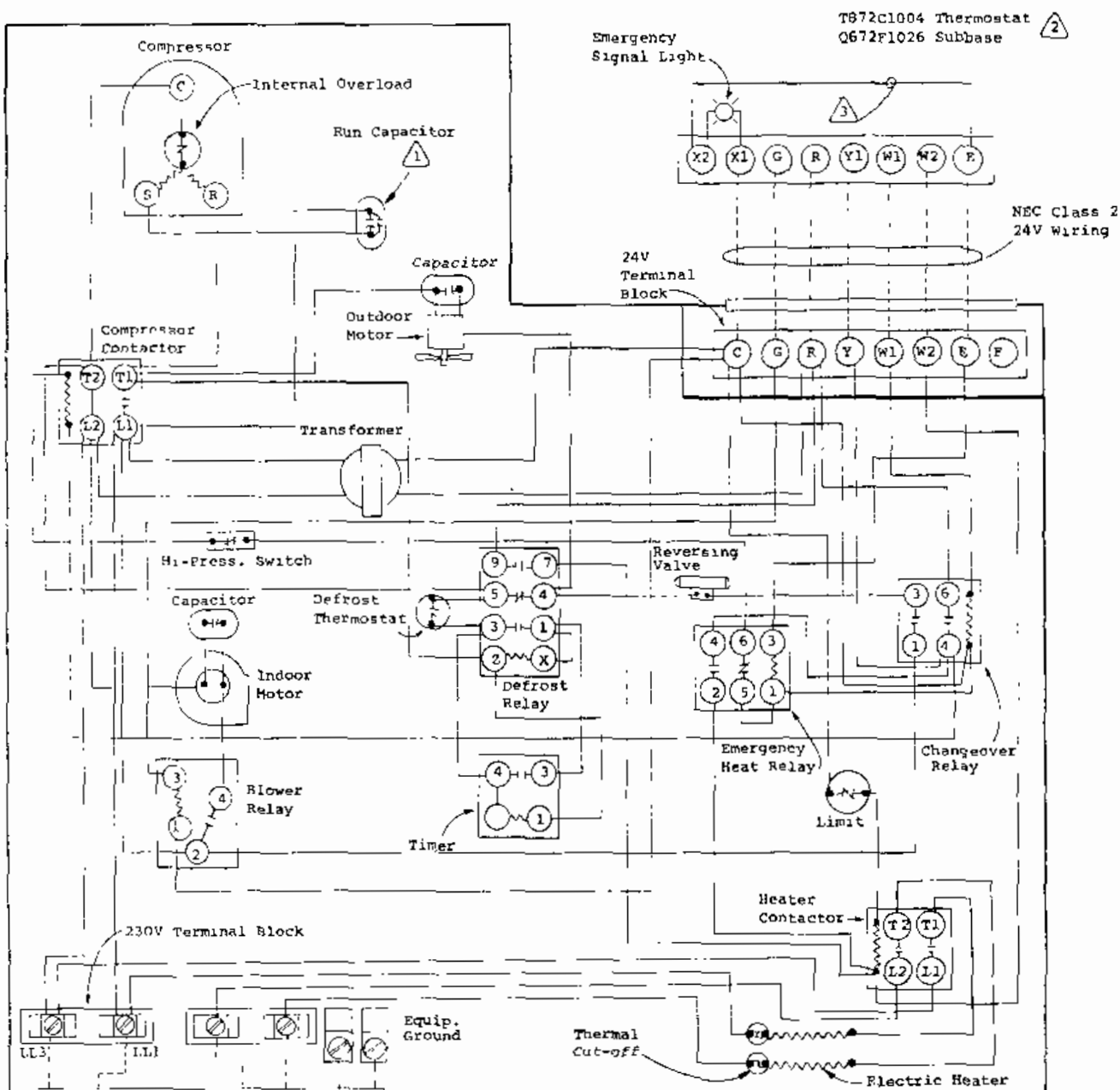


- ⚠ Capacitor provides off-cycle crankcase heat.
- ⚠ Set heat anticipators at .40A for W1 and W2.
- ⚠ Reroute jumper from X2-W2 to X2-E.



- ① Capacitor provides off-cycle crankcase heat.
- ② Set heat anticipators at .40A for W1 and W2.
- ③ Reroute jumper from X2-W2 to X2-E.



- ① Capacitor provides off-cycle crankcase heat.
- ② Set heat anticipators at .40A for W1 and W2.
- ③ Reroute jumper from X2-W2 to X2-E.

MODEL
36WH1
w/10KW

230V 60 Hz 1-Ph

Factory Wiring ———
Field Wiring - - - -

