

T874N1024/
Q674F1261

or

T874R1129/
Q674F1181

X G R Y W1 W2 W3 E L

X G R Y B W2 W3 E L

C G R Y Y1 B W1 W2 W3 E L DI1 O1

24V Terminal Block

24V Transformer

High-Pressure Switch

Defrost Relay

Blower Relay

Indoor Motor

4 MFD Capacitor

Outdoor Motor

Equip. Ground

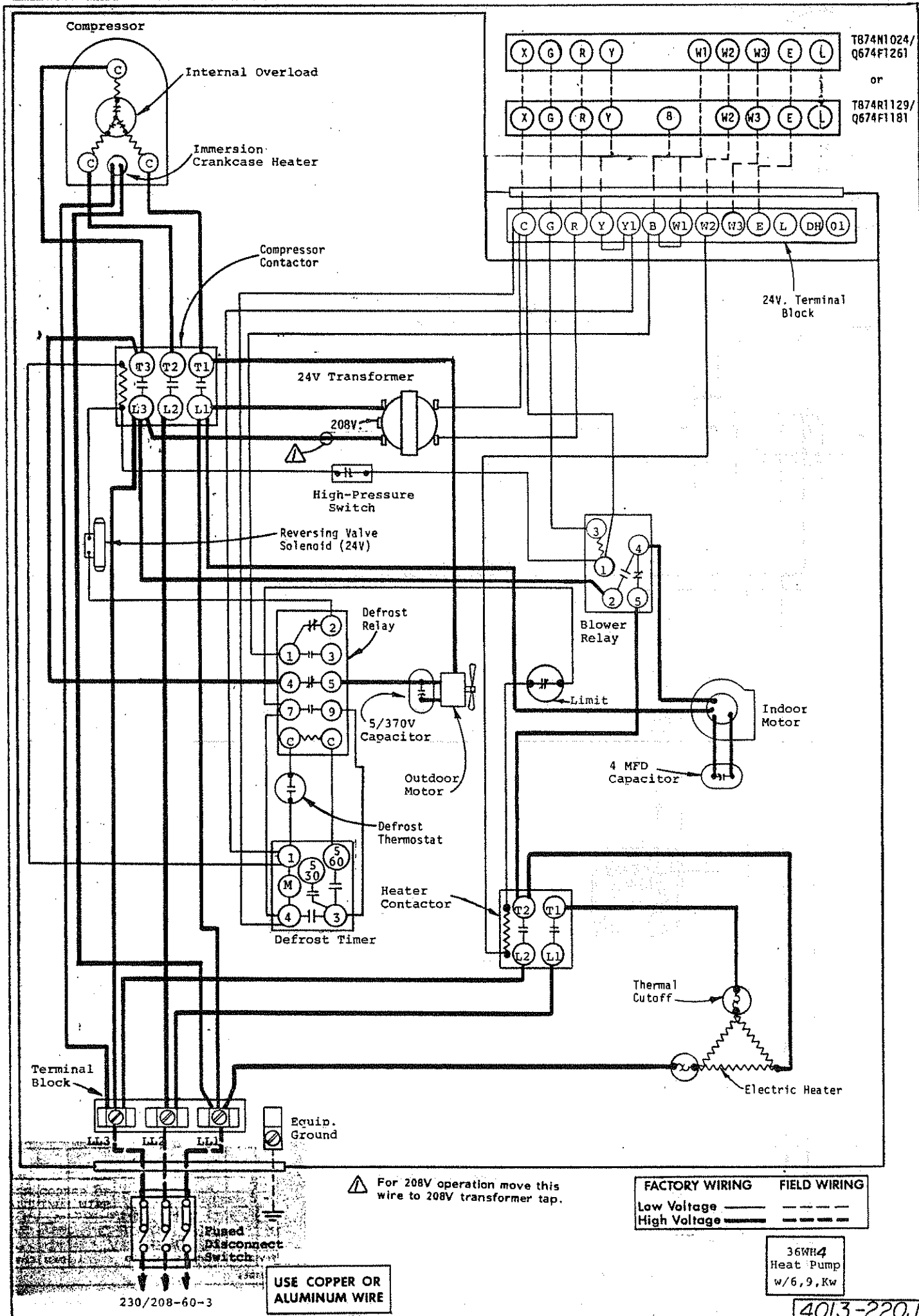
Fused Disconnect Switch

USE COPPER OR ALUMINUM WIRE

FACTORY WIRING FIELD WIRING
Low Voltage -----
High Voltage -----

36WH4 Heat Pump

4013-210G



TB74N1024/
Q674F1261
or
TB74R1129/
Q674F1181

24V. Terminal Block

⚠ For 208V operation move this wire to 208V transformer tap.

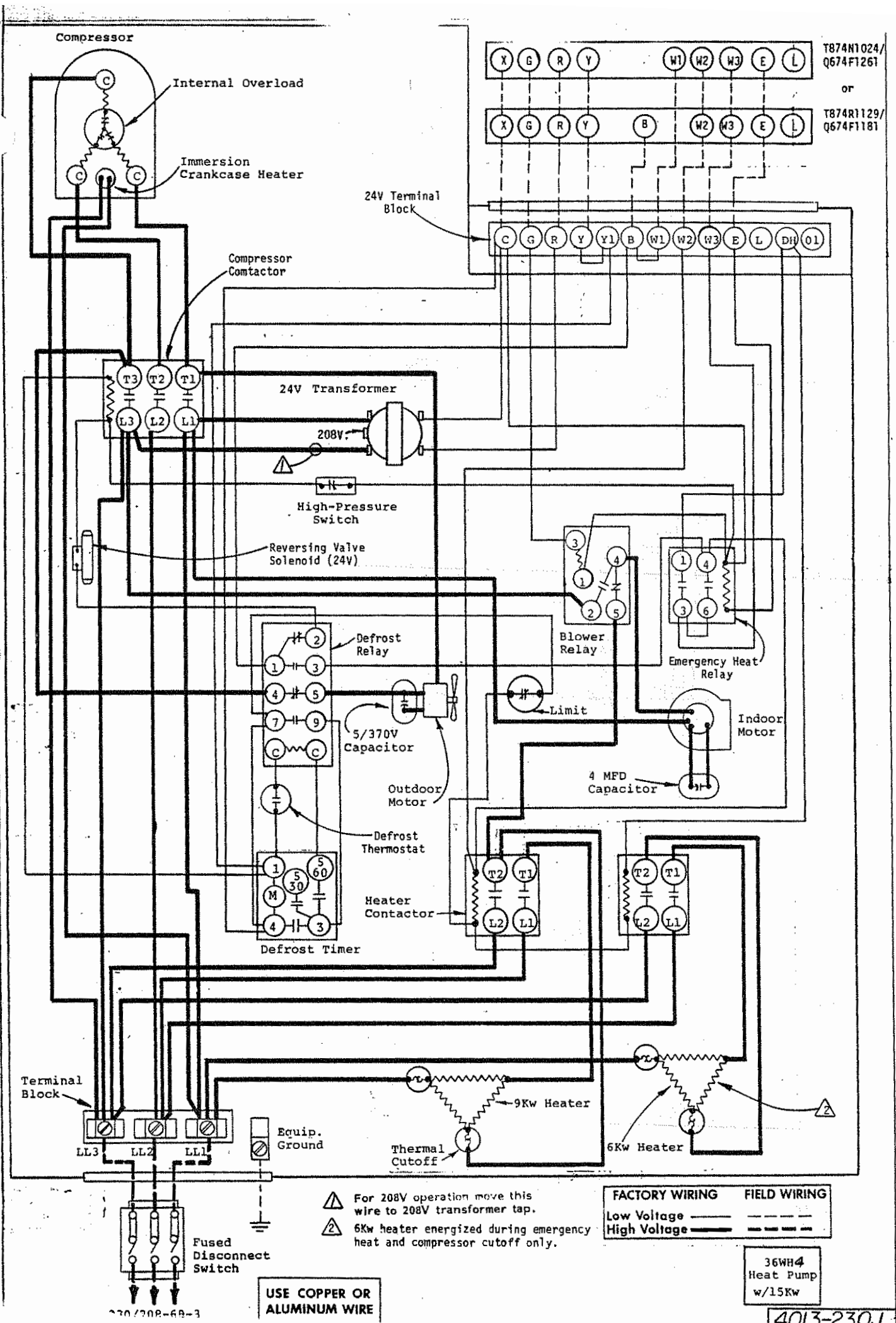
FACTORY WIRING	FIELD WIRING
Low Voltage	-----
High Voltage	-----

36WR4
Heat Pump
w/6,9,Kw

USE COPPER OR ALUMINUM WIRE

4013-220J

230/208-60-3



T874N1024/
Q674F126T

or

T874R1129/
Q674F118T

⚠ For 208V operation move this wire to 208V transformer tap.
 ⚠ 6Kw heater energized during emergency heat and compressor cutoff only.

FACTORY WIRING	FIELD WIRING
Low Voltage	-----
High Voltage	-----

36WH4
Heat Pump
w/15Kw

USE COPPER OR
ALUMINUM WIRE

4013-230J

330/208-6B-3