

T874N1024/  
Q674F1261

or  
T874R1129/  
Q674F1181

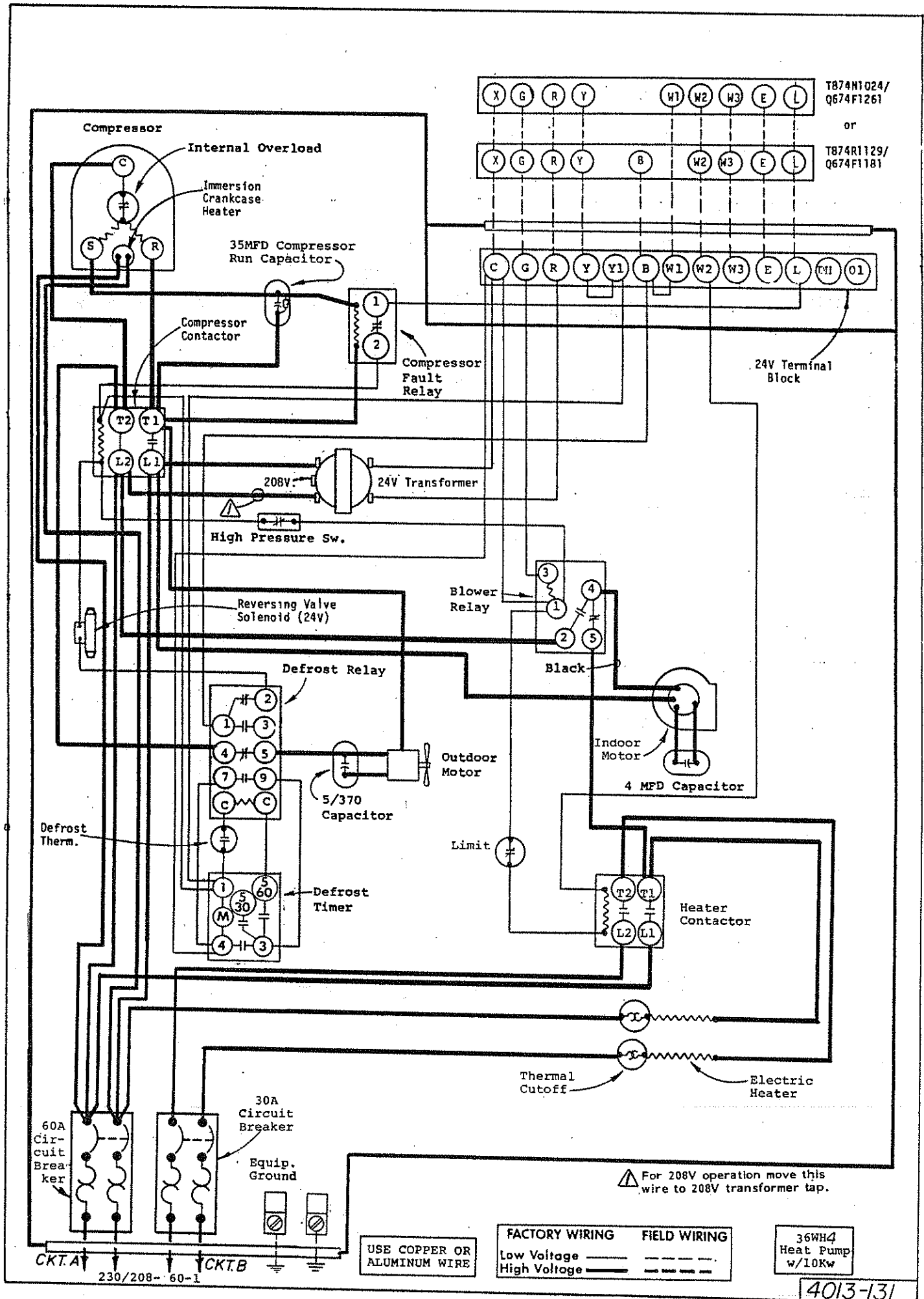
24V Terminal Block

Black

36WH4  
Heat Pump  
w/5Kw

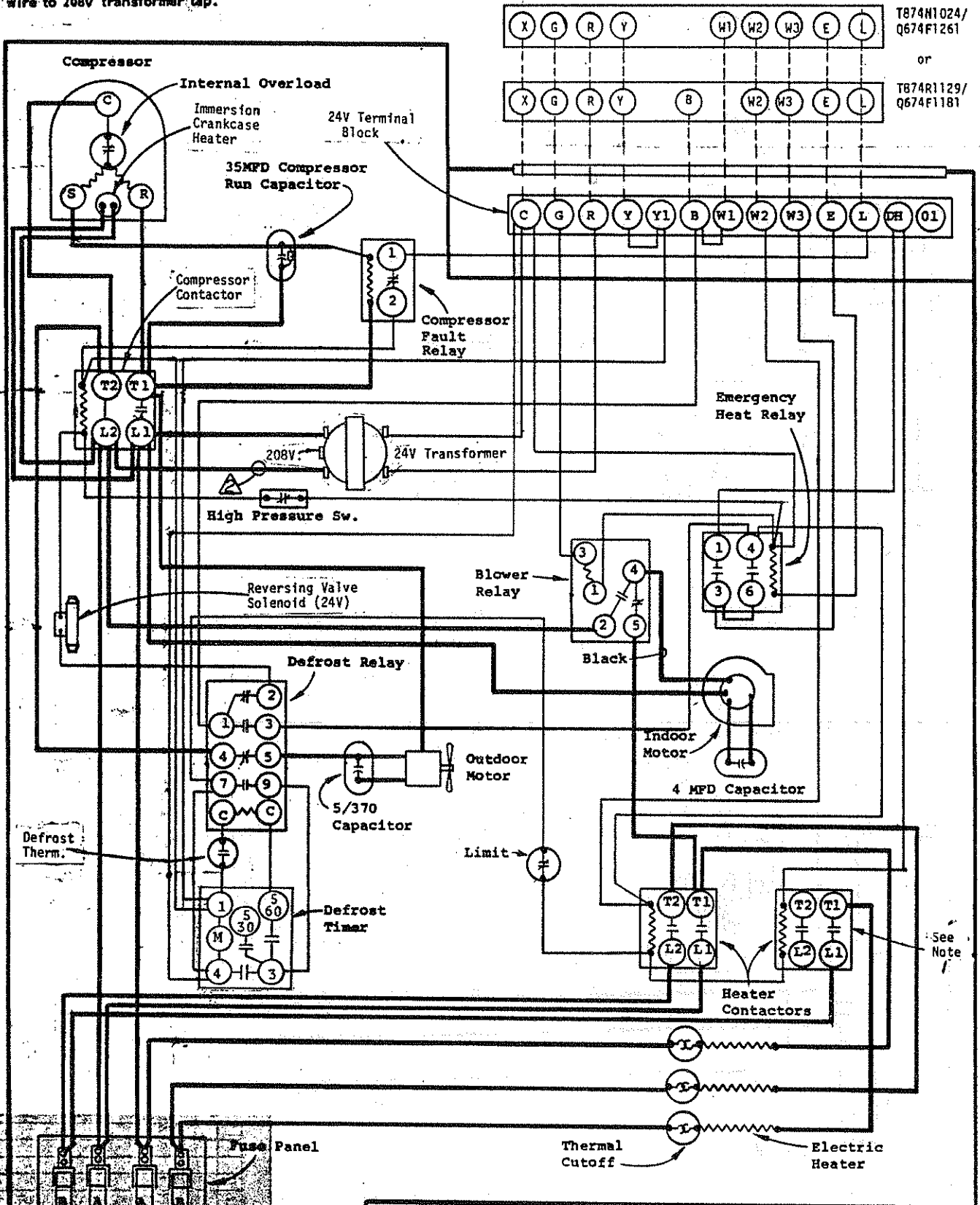
4013-120H





⚠ 2nd heat contactor operates only during emergency heat or compressor cutoff.

⚠ For 208V operation move this wire to 208V transformer tap.



T874N1024/  
Q674F1261  
or  
T874R1129/  
Q674F1181

Fuse A - 60A Time Delay  
Fuse B - 60A Standard  
All fuses type K-5

USE COPPER OR ALUMINUM WIRE

FACTORY WIRING	FIELD WIRING
Low Voltage	-----
High Voltage	-----

36WH4  
Heat Pump  
w/15Kw

230/208-60-1

4013-140/H