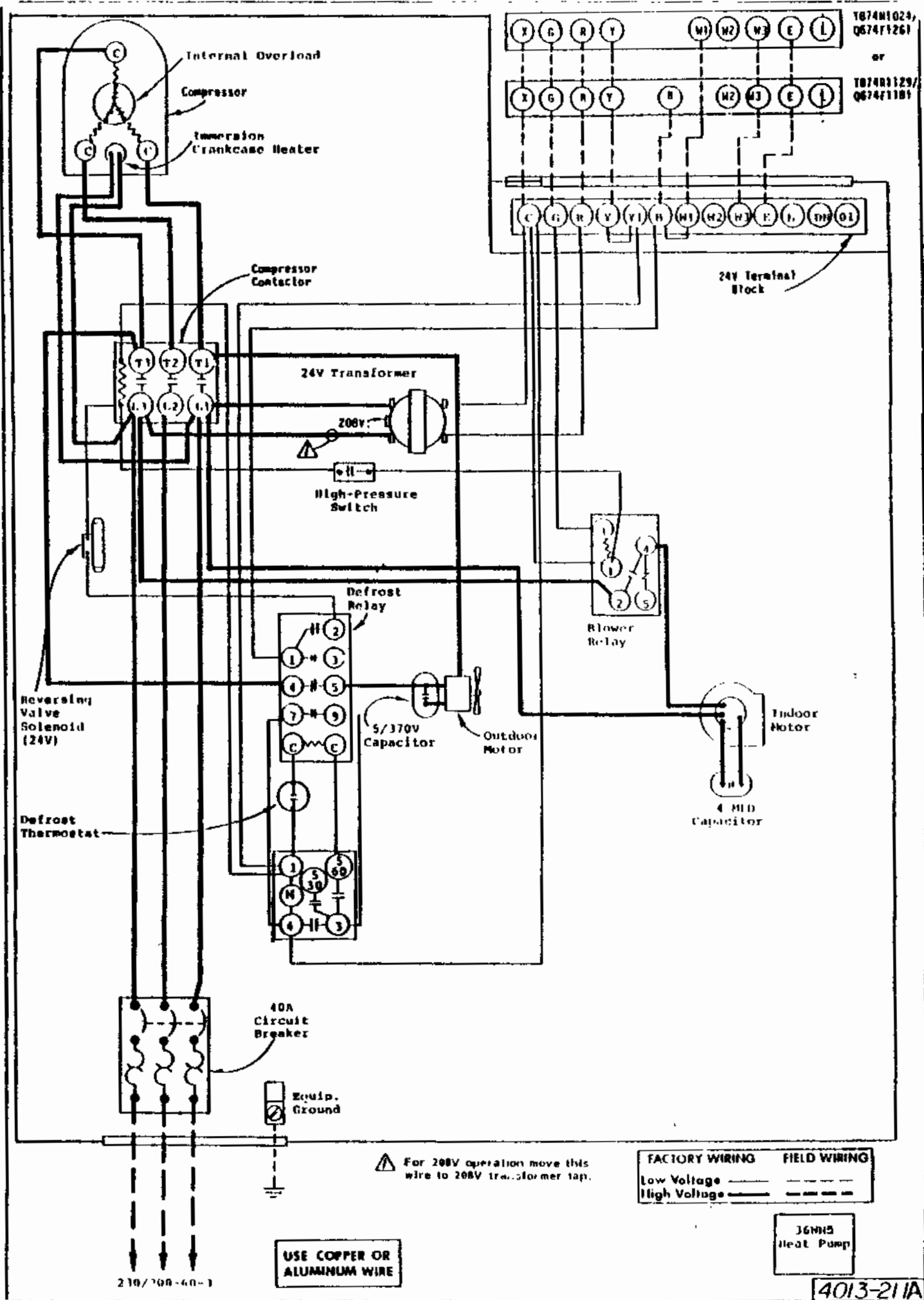


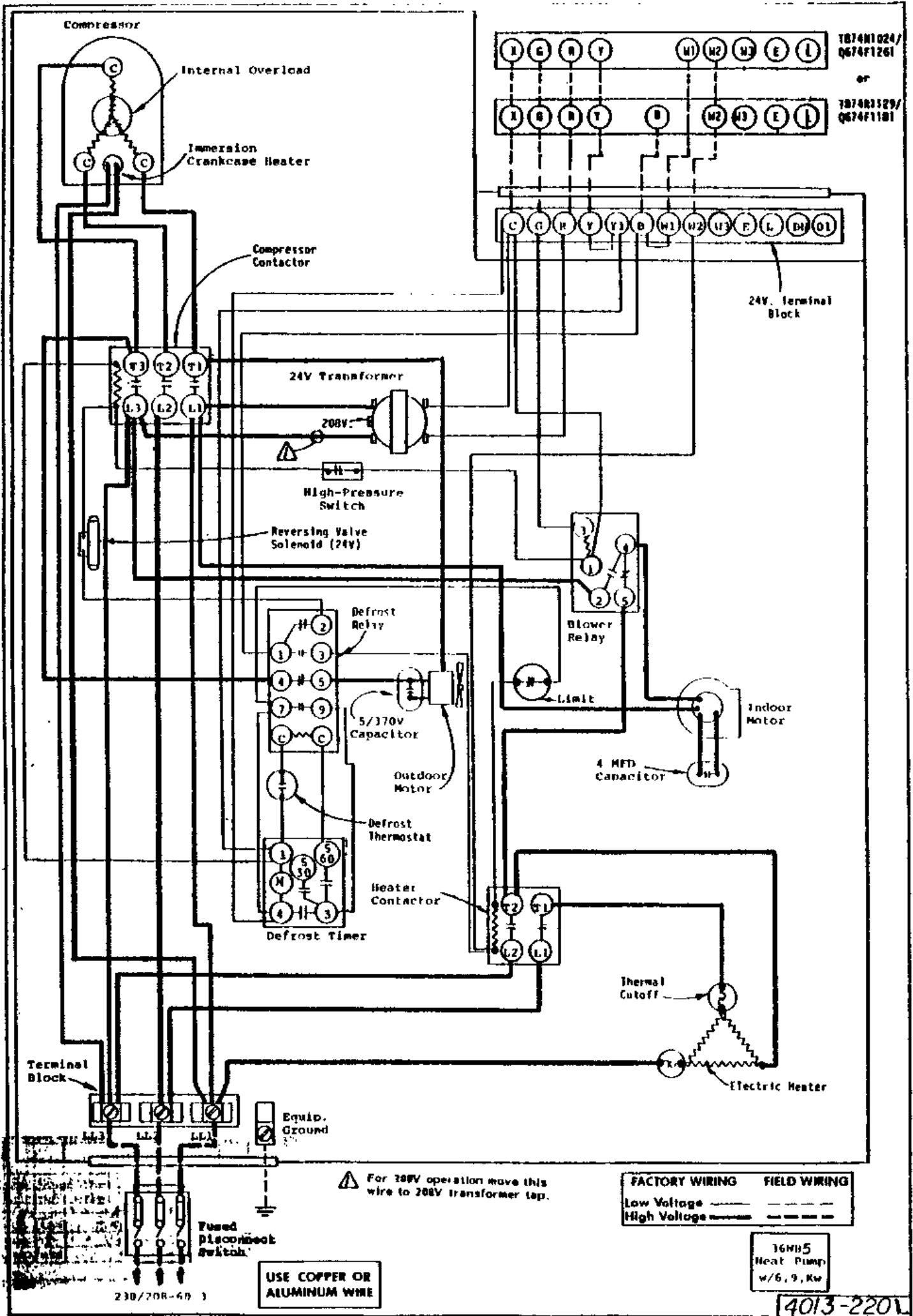
⚠ For 208V operation move this wire to 208V transformer tap.

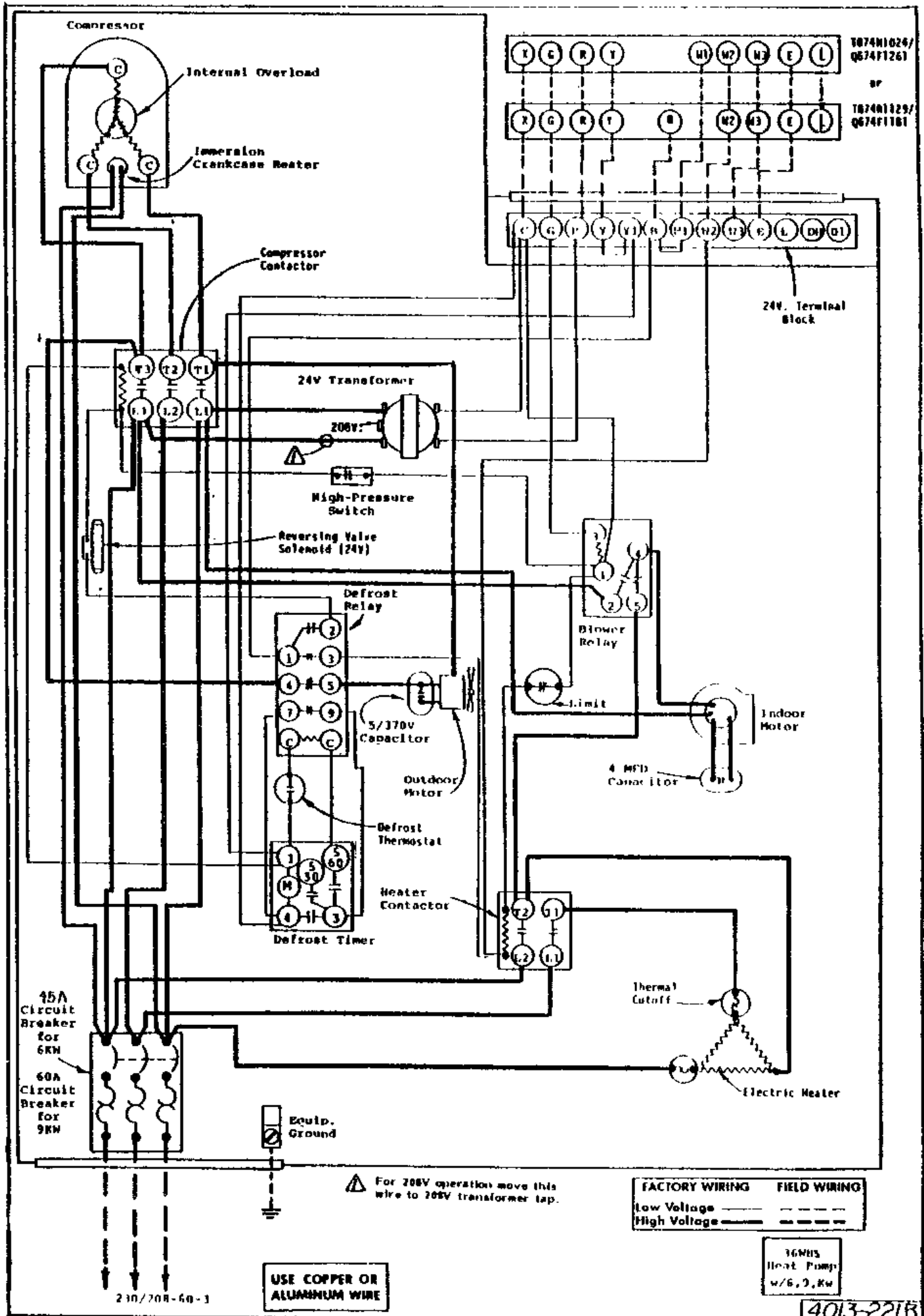
FACTORY WIRING	FIELD WIRING
Low Voltage ———	Low Voltage ———
High Voltage - - - - -	High Voltage - - - - -

16MHS-1
Heat Pump

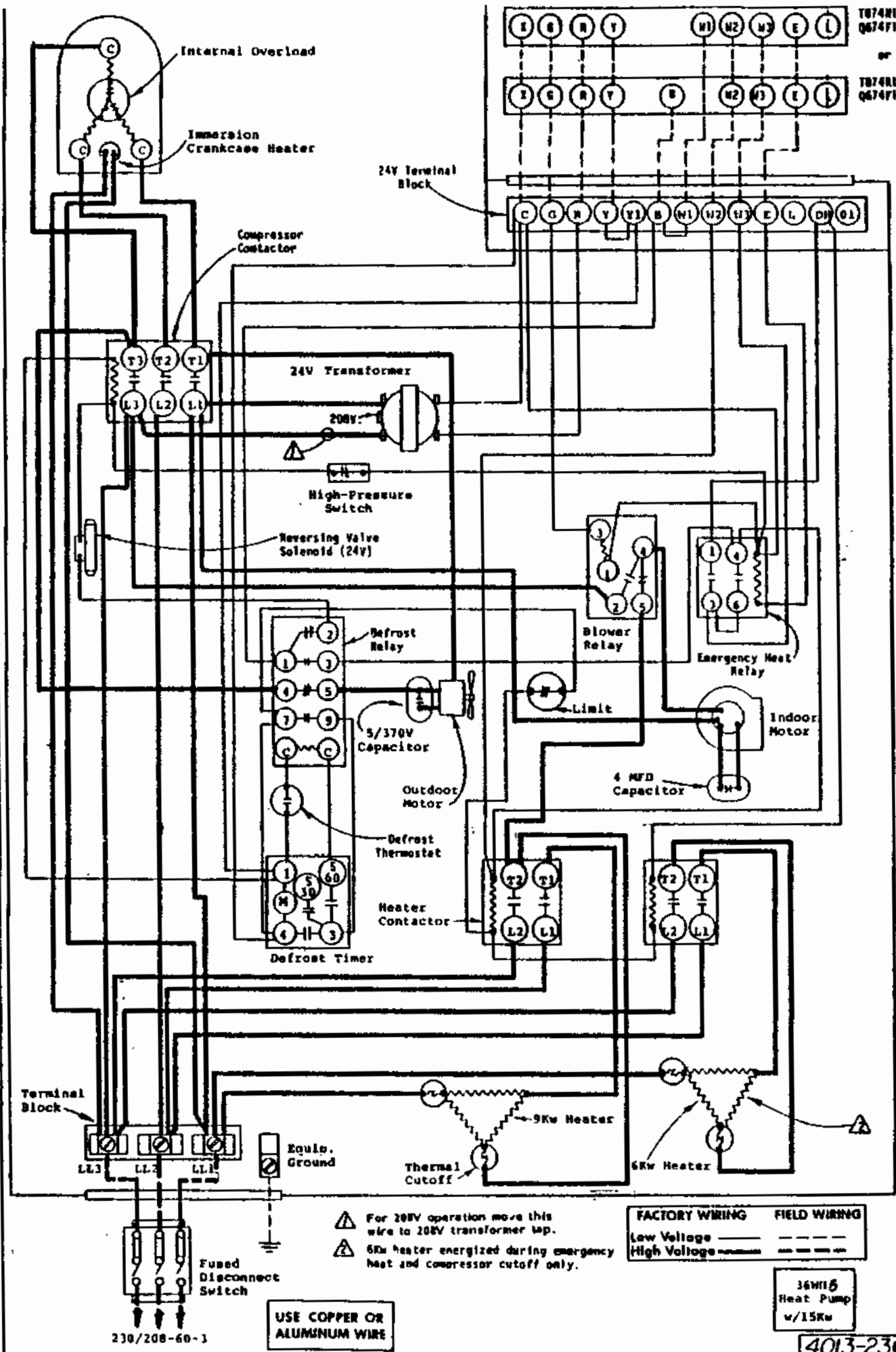
4013-210H







TU74R1224/
Q674F1261
or
TU74R1229/
Q674F1181



⚠ For 208V operation move this wire to 208V transformer tap.
 ⚠ 6Kw heater energized during emergency heat and compressor cutoff only.

FACTORY WIRING	FIELD WIRING
Low Voltage ———	-----
High Voltage ———	-----

36W115
Heat Pump
w/15Kw

USE COPPER OR ALUMINUM WIRE

4013-230K

230/208-60-3

