

1874H1024/
Q574F1261
or
1874H1129/
Q574F1181

24V Terminal
Block

24V Transformer

200V

High-Pressure
Switch

Defrost
Relay

5/370V
Capacitor

Outdoor
Motor

Blower
Relay

HIGH
208V

LOW

Indoor
Motor

5 HFD
Capacitor

Reversing
Valve
Solenoid
(24V)

Defrost
Thermostat

40A
Circuit
Breaker

Equip.
Ground

⚠ For 208V operation move this
wire to 208V transformer tap.

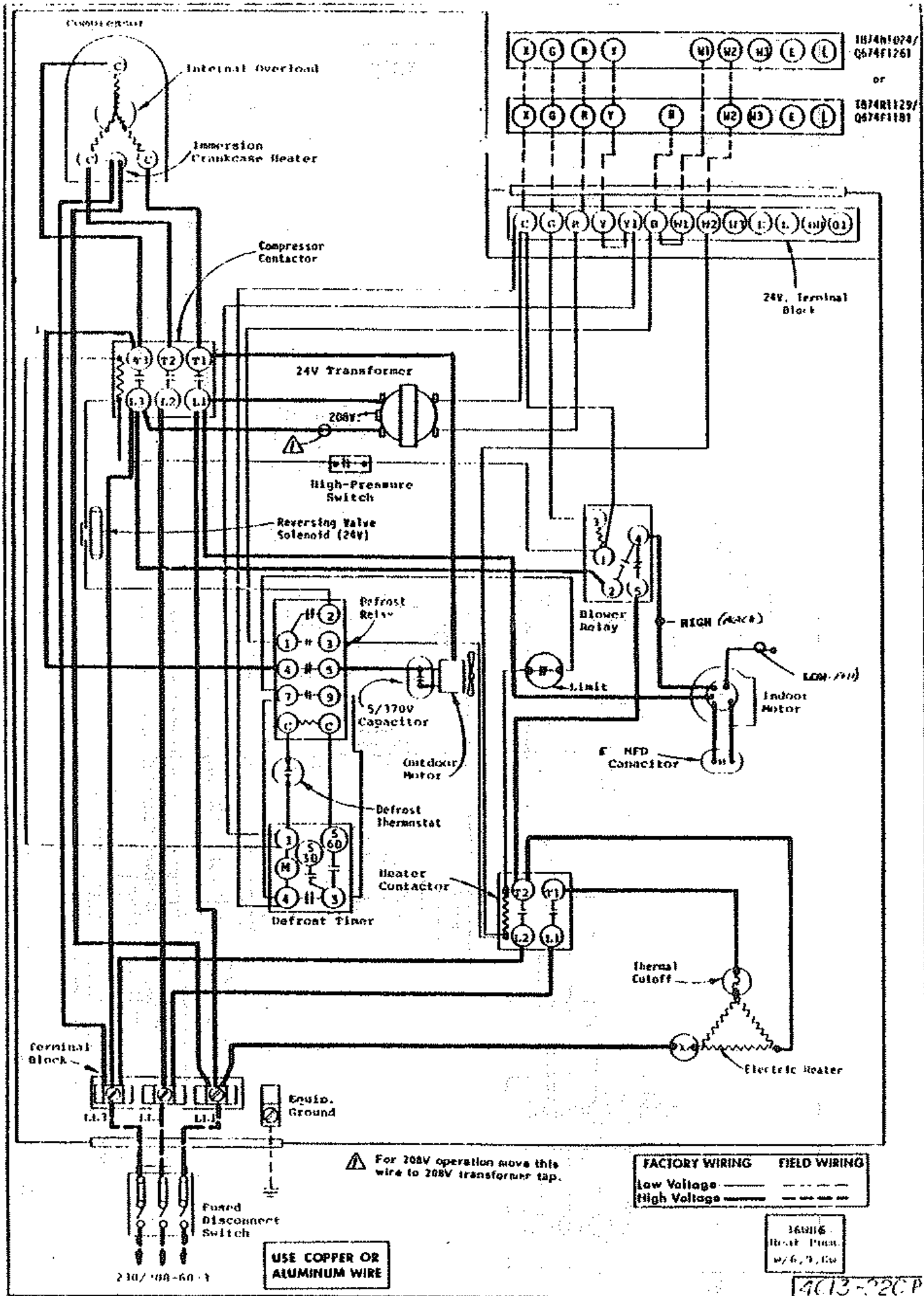
FACTORY WIRING	FIELD WIRING
Low Voltage	-----
High Voltage	-----

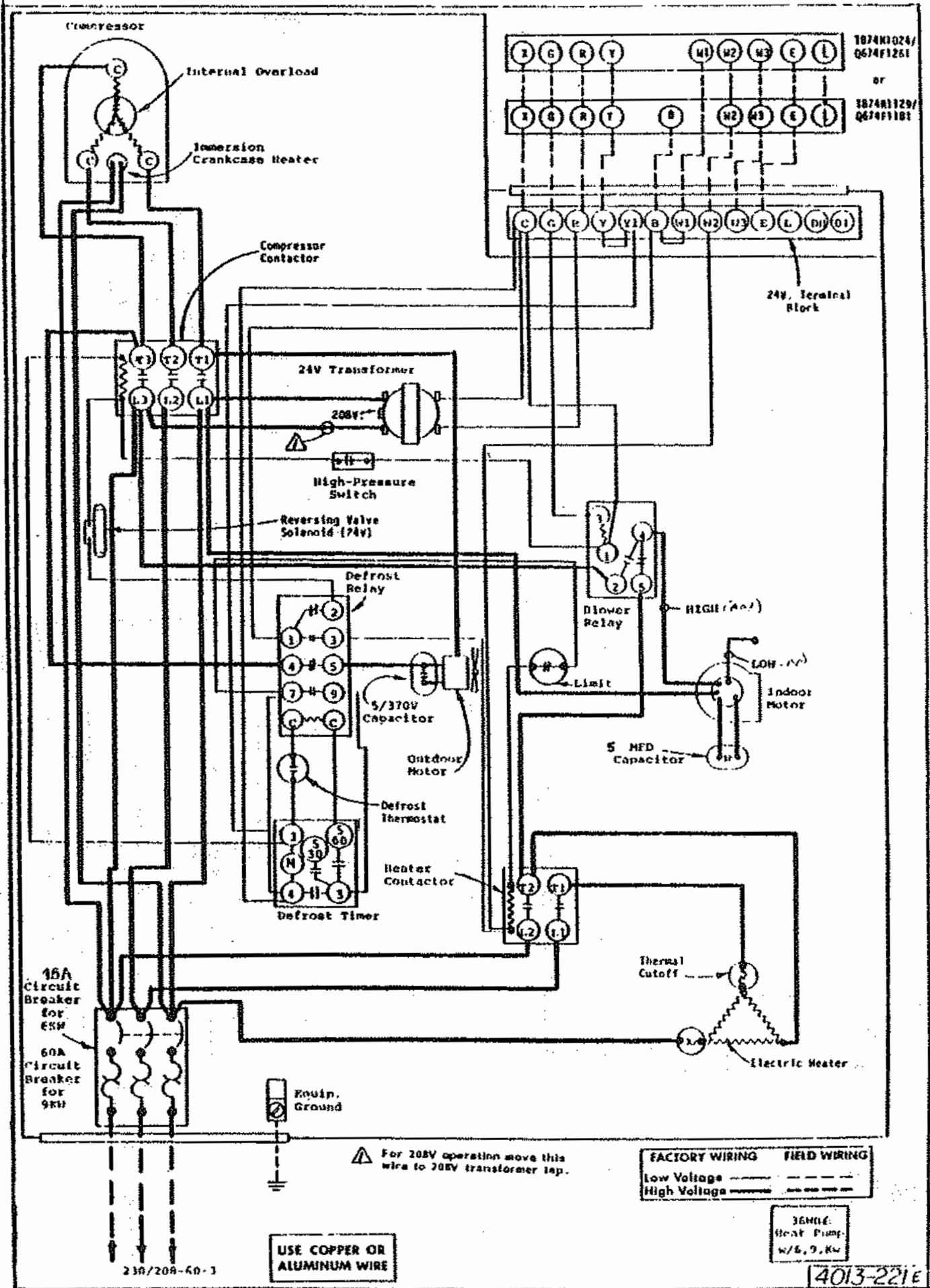
USE COPPER OR
ALUMINUM WIRE

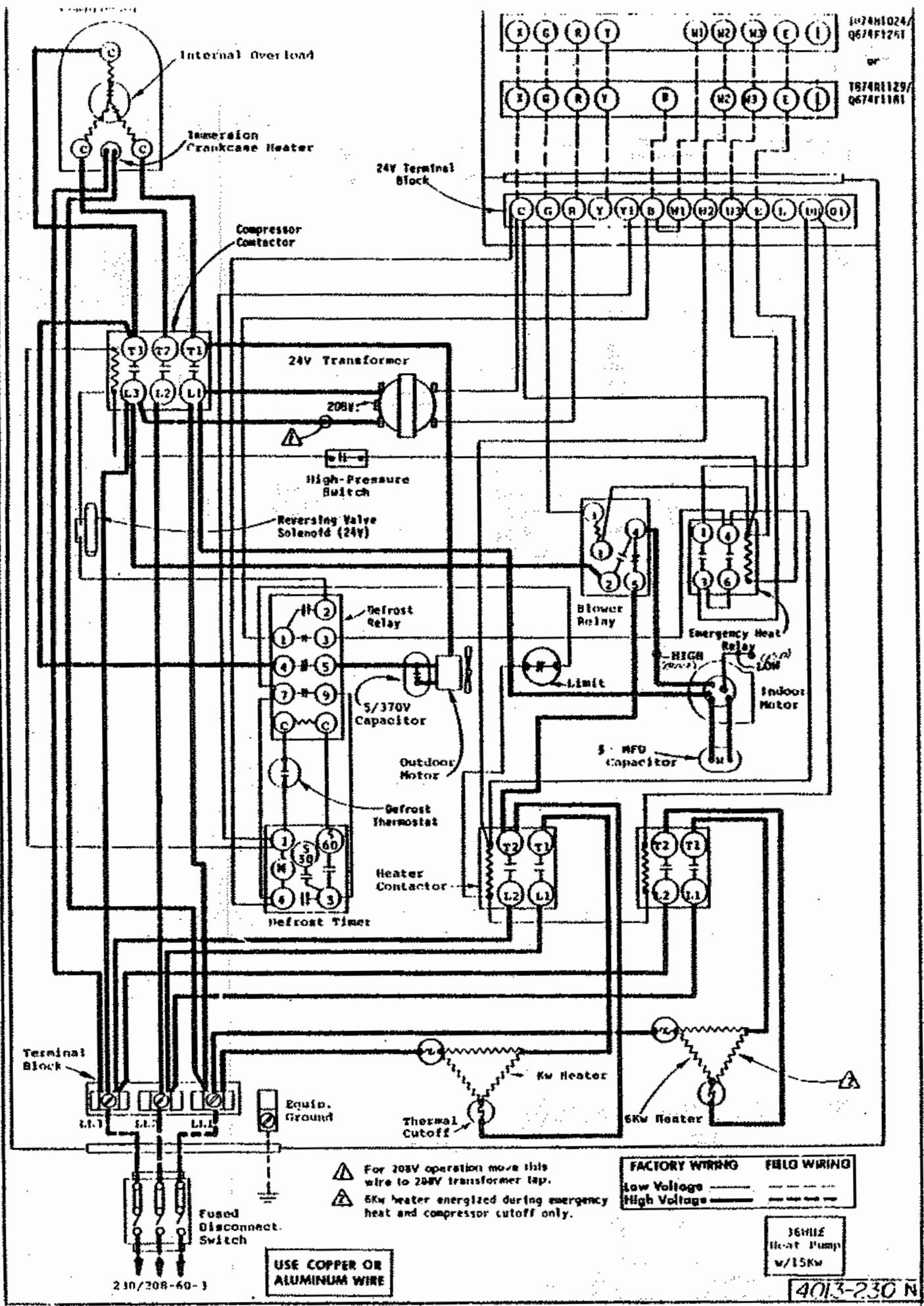
36000
Heat Pump

2013-2110

210/200-60-1







1074H1024/
Q674F1261
or
1974R1129/
Q674F1181

FACTORY WIRING	FIELD WIRING
Low Voltage	-----
High Voltage	-----

36H12
Heat Pump
w/15Kw

USE COPPER OR
ALUMINUM WIRE

210/208-60-3

4013-230 N

