

1874N1024/
Q674F1261
or
1874N1129/
Q674F1101

FACTORY WIRING **FIELD WIRING**
 Low Voltage ————
 High Voltage - - - - -

USE COPPER OR ALUMINUM WIRE

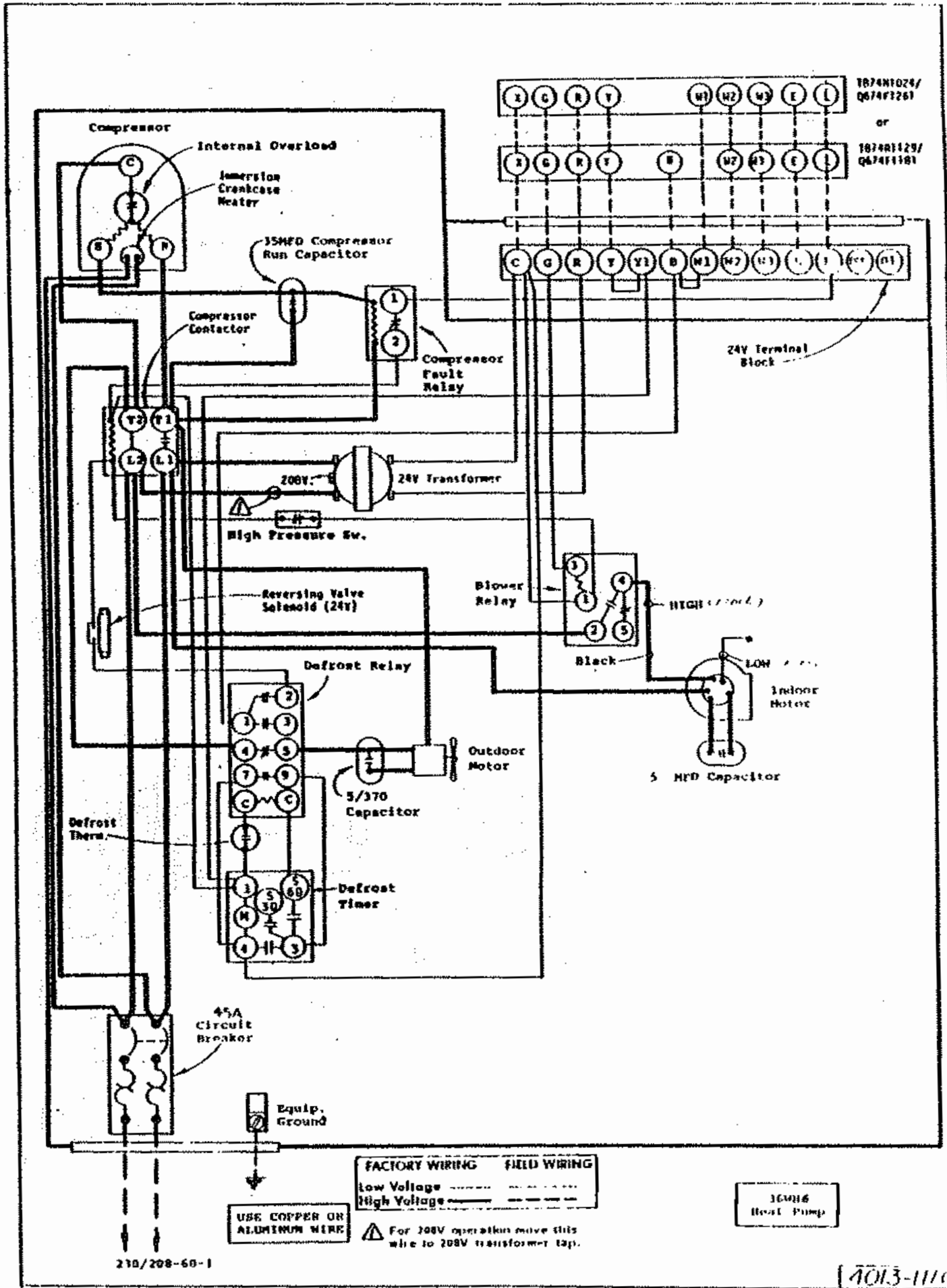
⚠ For 208V operation move this wire to 208V transformer tap.

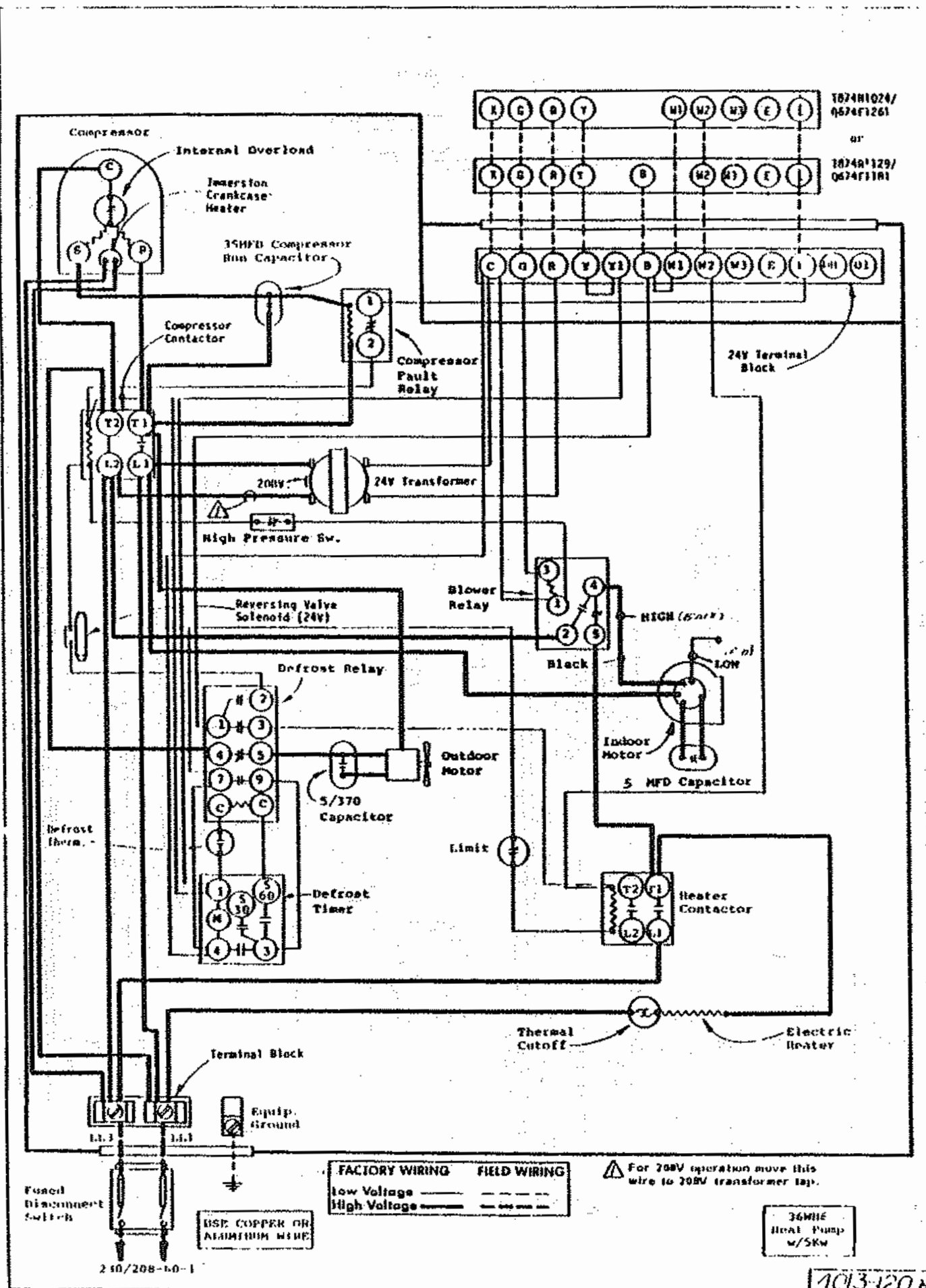
164016
Heat Pump

Fused Disconnect Switch

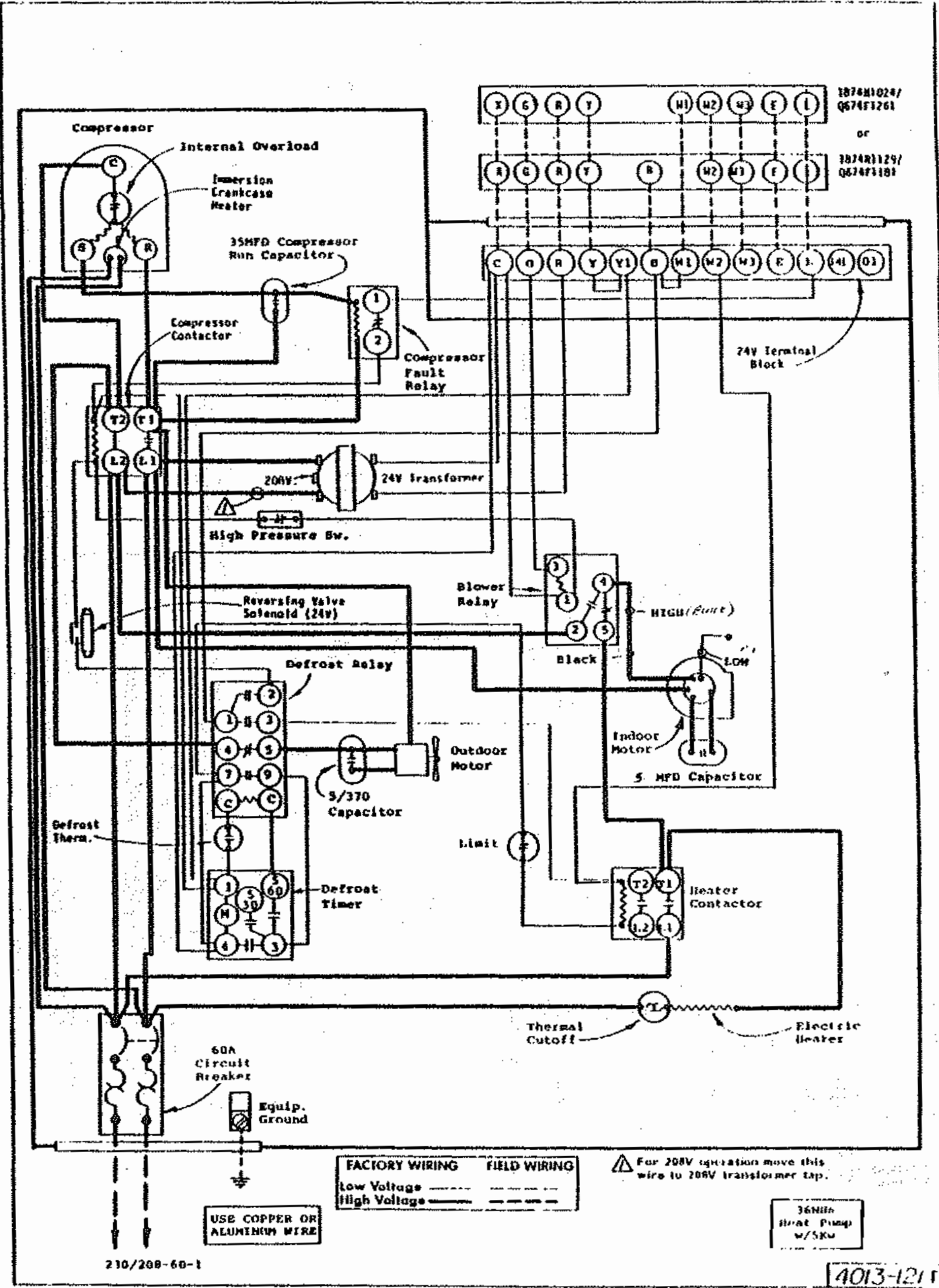
230/208-60-1

7013-110





1013-120 H



1874N1024/
Q674F1261
or
1874R1129/
Q674F1181

74V Terminal Block

HIGH (Faint)

Thermal Cutoff

Electric Heater

FACTORY WIRING **FIELD WIRING**
 Low Voltage ————
 High Voltage - - - -

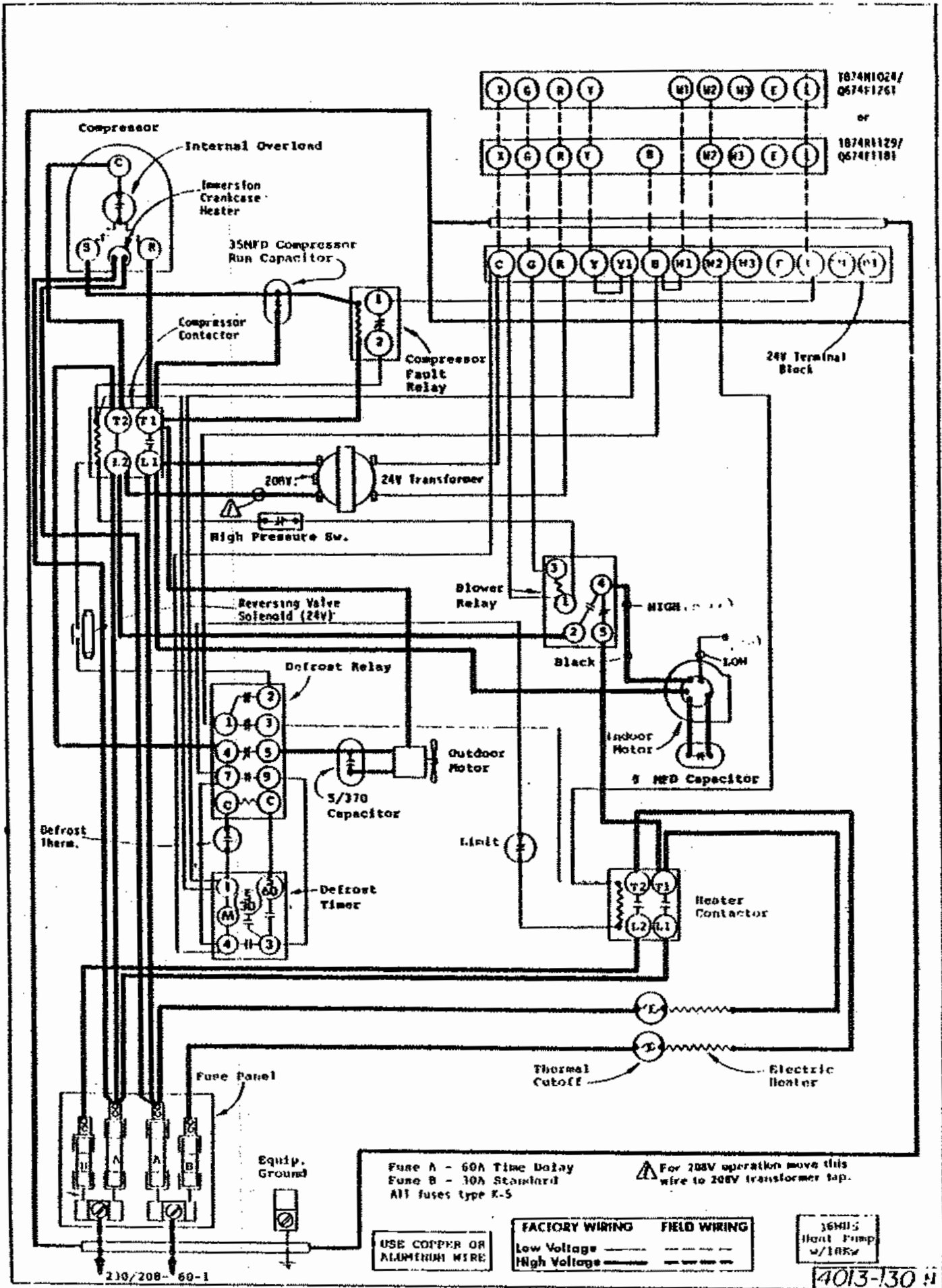
⚠ For 208V operation move this wire to 208V transformer tap.

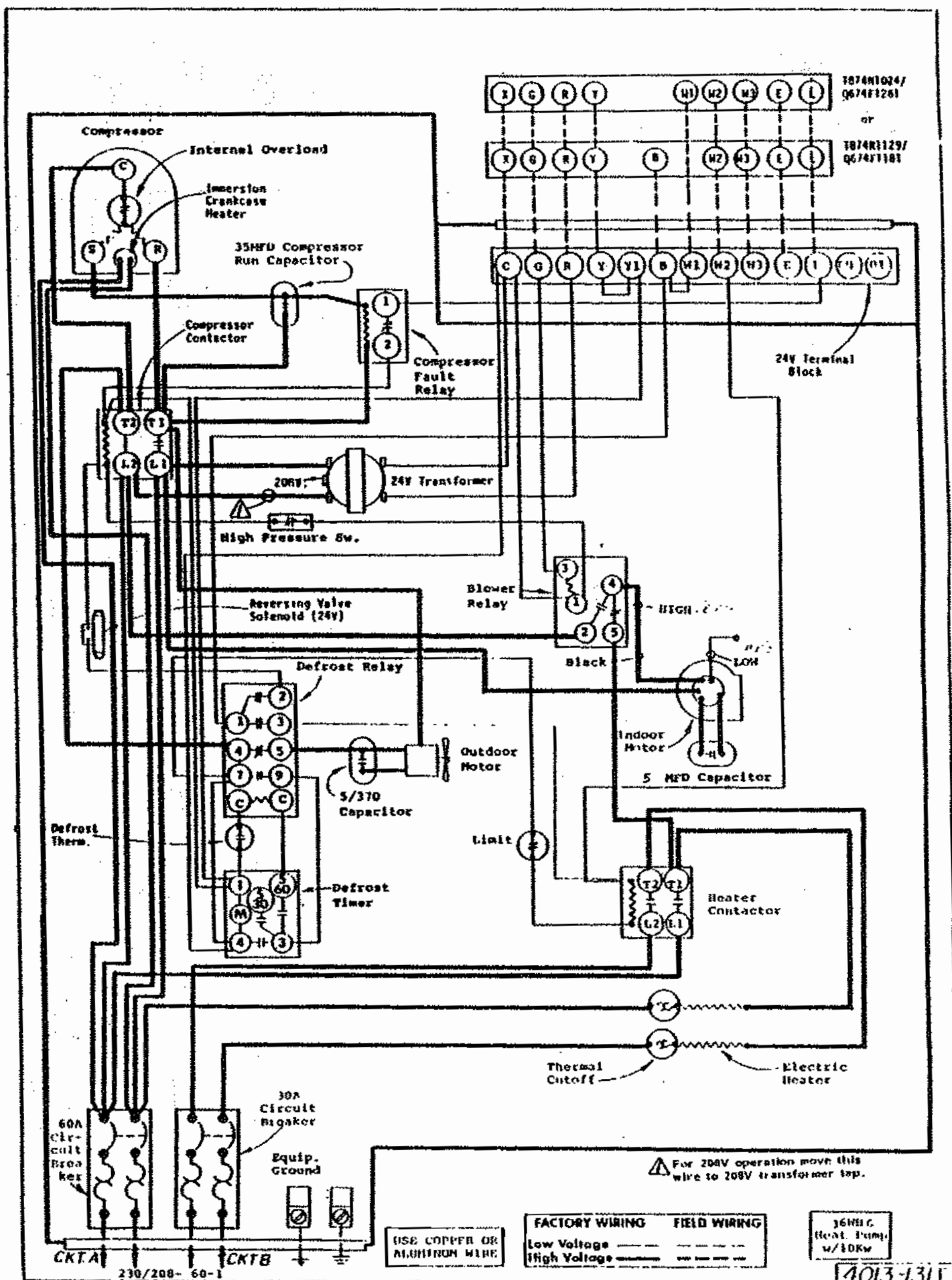
36Nin Heat Pump w/Sku

USE COPPER OR ALUMINUM WIRE

210/208-60-1

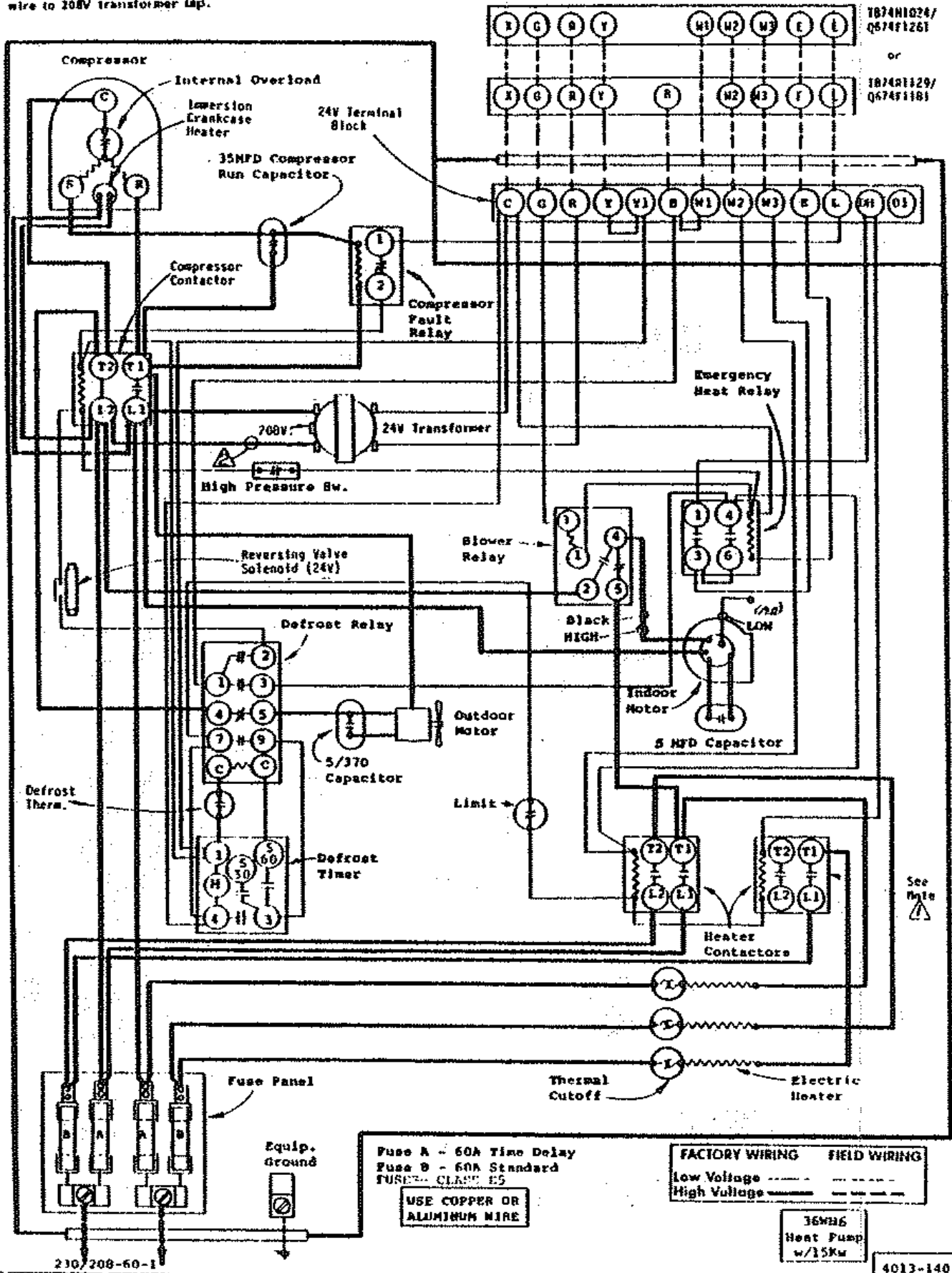
4013-1211





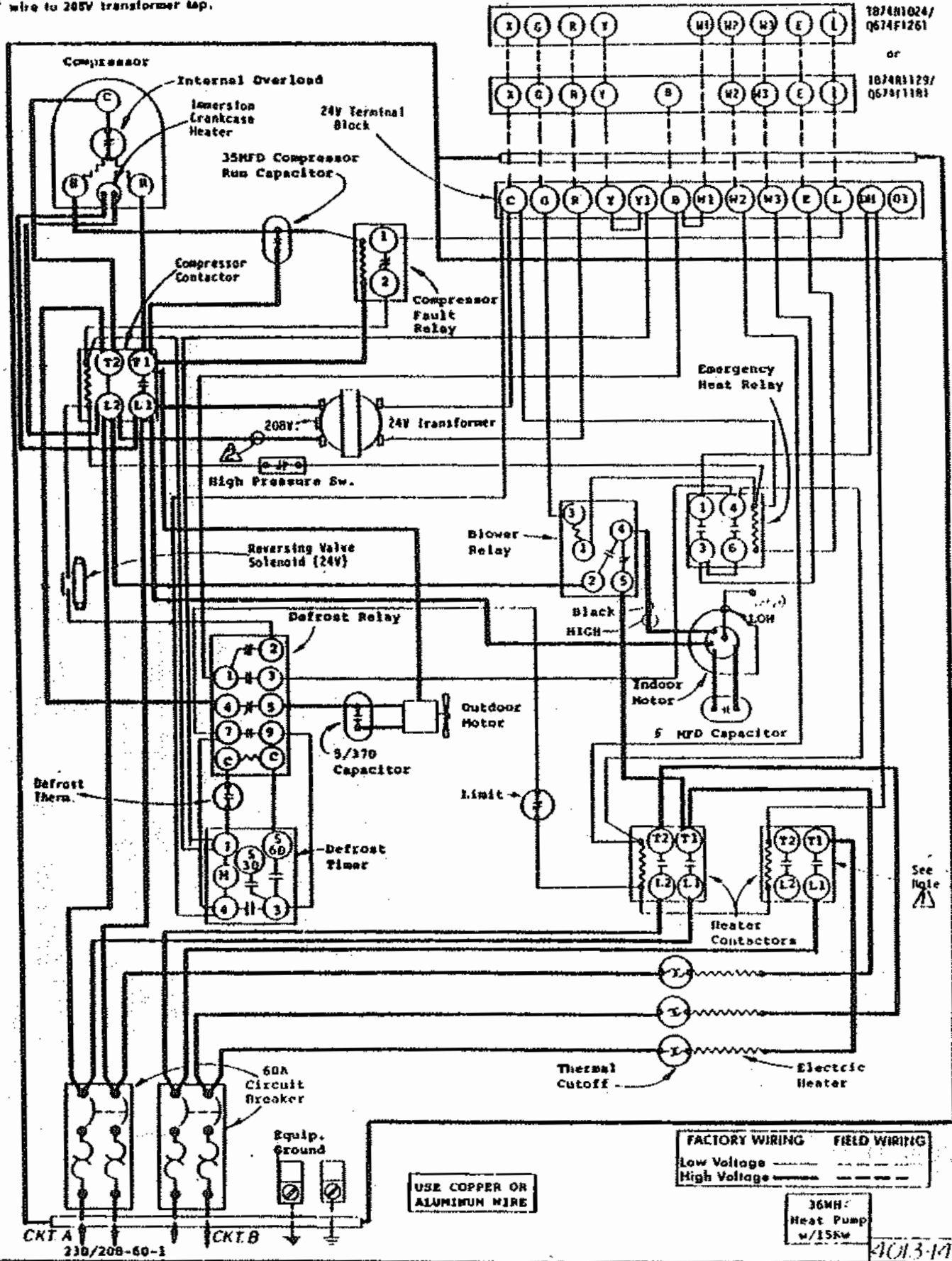
⚠ 2nd heat contactor operates only during emergency heat or compressor cutoff.

⚠ For 208V operation move this wire to 208V transformer tap.



⚠ 2nd heat contactor operates only during emergency heat or compressor cutoff.

⚠ For 208V operation move this wire to 208V transformer tap.



4013-1411