

TB74M1024/
 Q674F1261
 or
 TB74M1129/
 Q674F1181

24V Terminal Block

⚠ For 208V operation move this wire to 208V transformer tap.

USE COPPER OR ALUMINUM WIRE

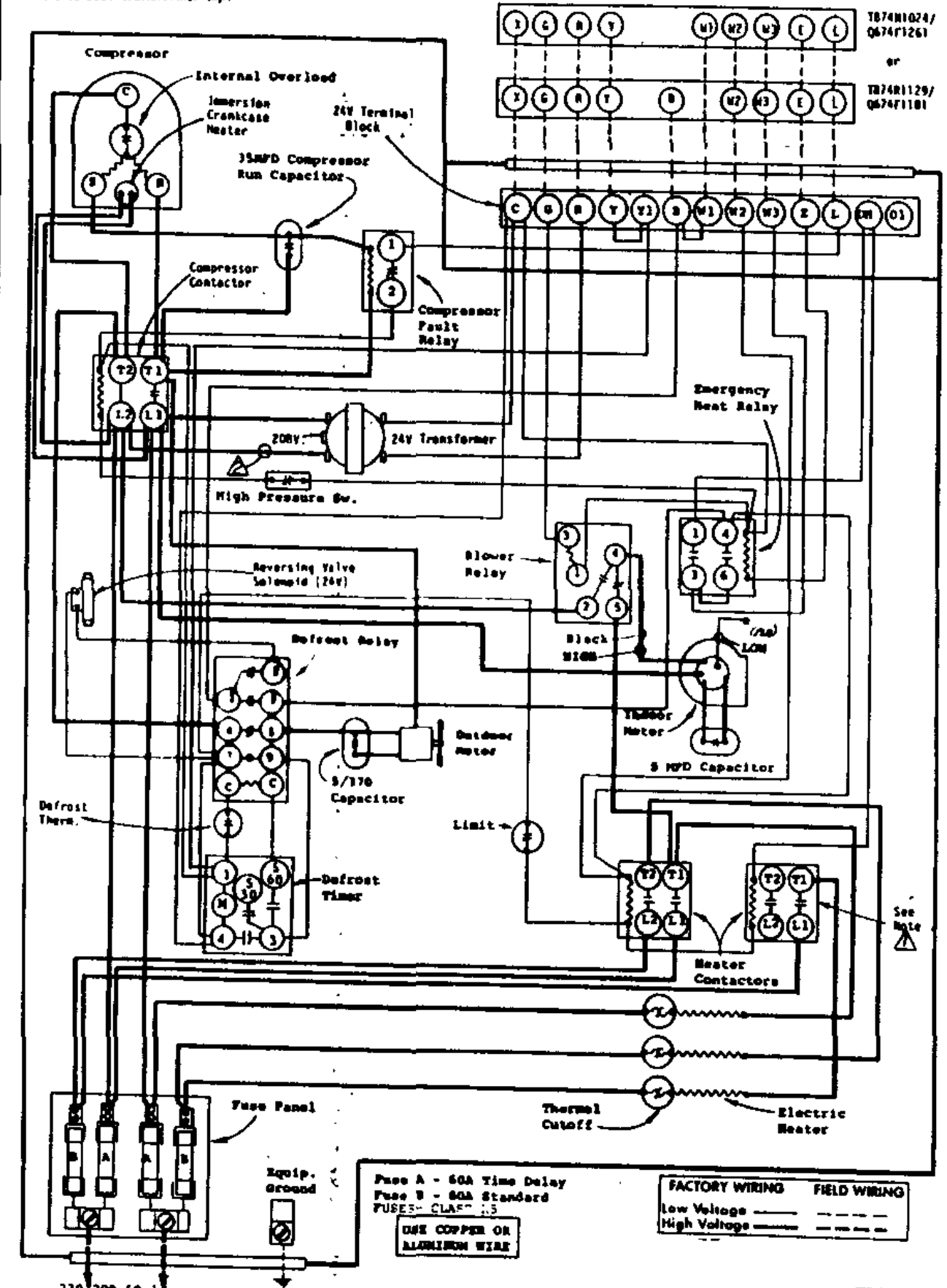
	FACTORY WIRING	FIELD WIRING
Low Voltage	————	- - - -
High Voltage	————	- - - -

4013-131F

230/208-60-1
 CKT A CKT B

⚠ 2nd heat contactor operates only during emergency heat or compressor cutoff.

⚠ For 208V operation move this wire to 208V transformer tap.



Fuse A - 60A Time Delay
 Fuse B - 60A Standard
 FUSES - CLASS 1.5
 USE COPPER OR ALUMINUM WIRE

FACTORY WIRING FIELD WIRING
 Low Voltage ———
 High Voltage - - - -

230/208-60-1

4013-140 J

⚠ Ind heat contactor operates only during emergency heat or compressor cutoff.

⚠ For 208V operation move this wire to 208V transformer tap.

