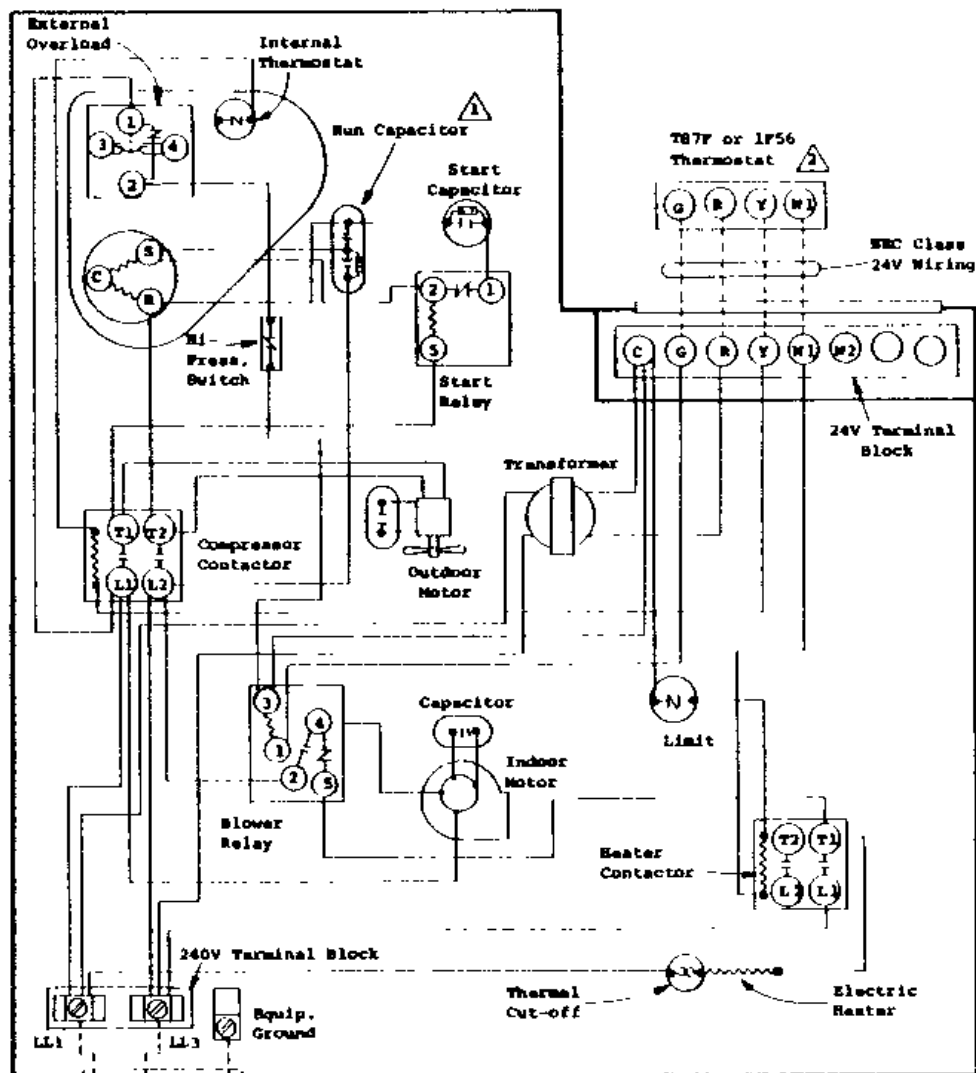


Factory Wiring \_\_\_\_\_  
 Field Wiring - - - - -

Model  
 48NA2

4010-110



- ⚠ 3-terminal capacitor provides off-cycle crankcase heat.
- ⚠ See alternate thermostat sheet. Set heat anticipator at .40A.

Fused Disconnect Switch

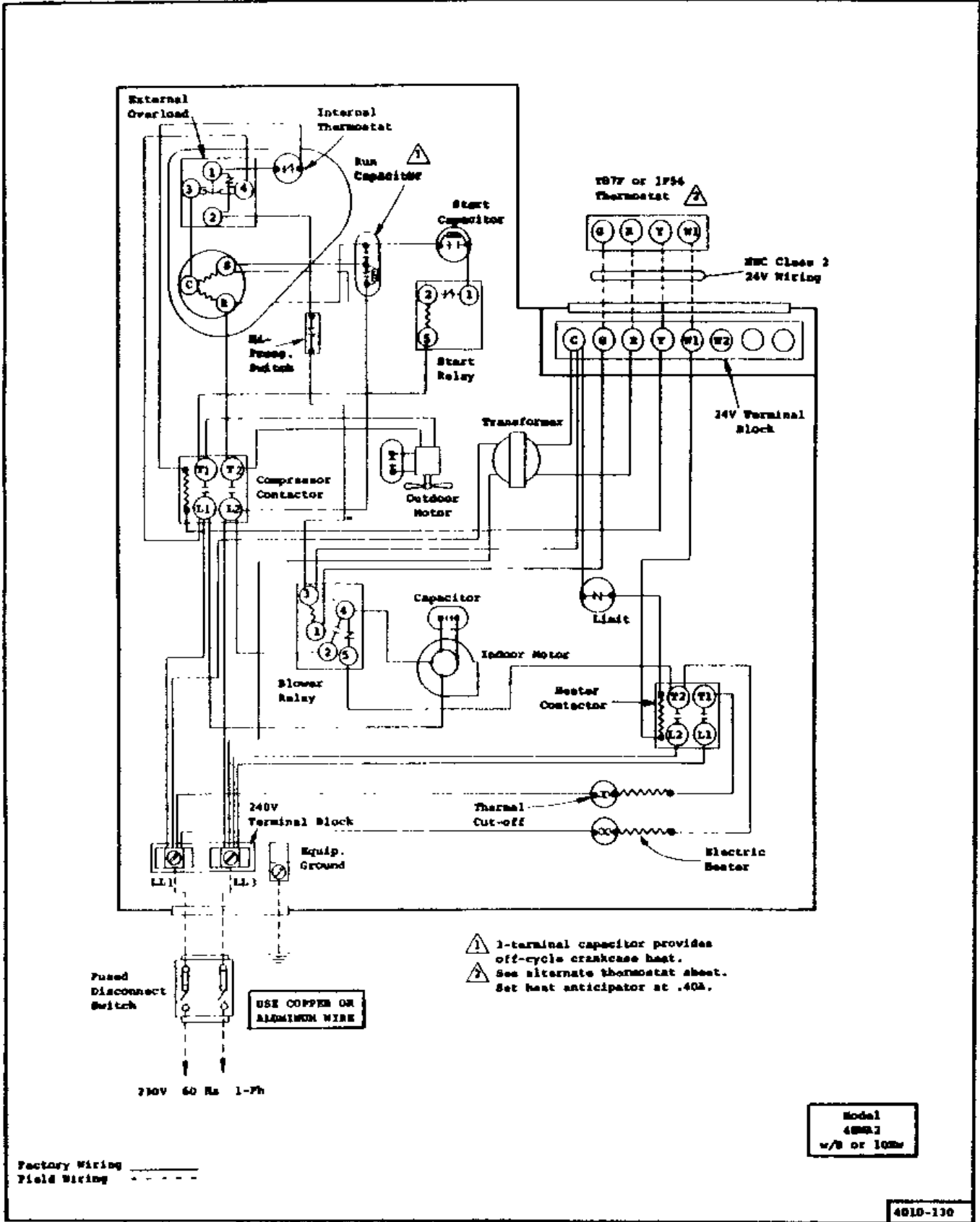
USE COPPER OR ALUMINUM WIRE

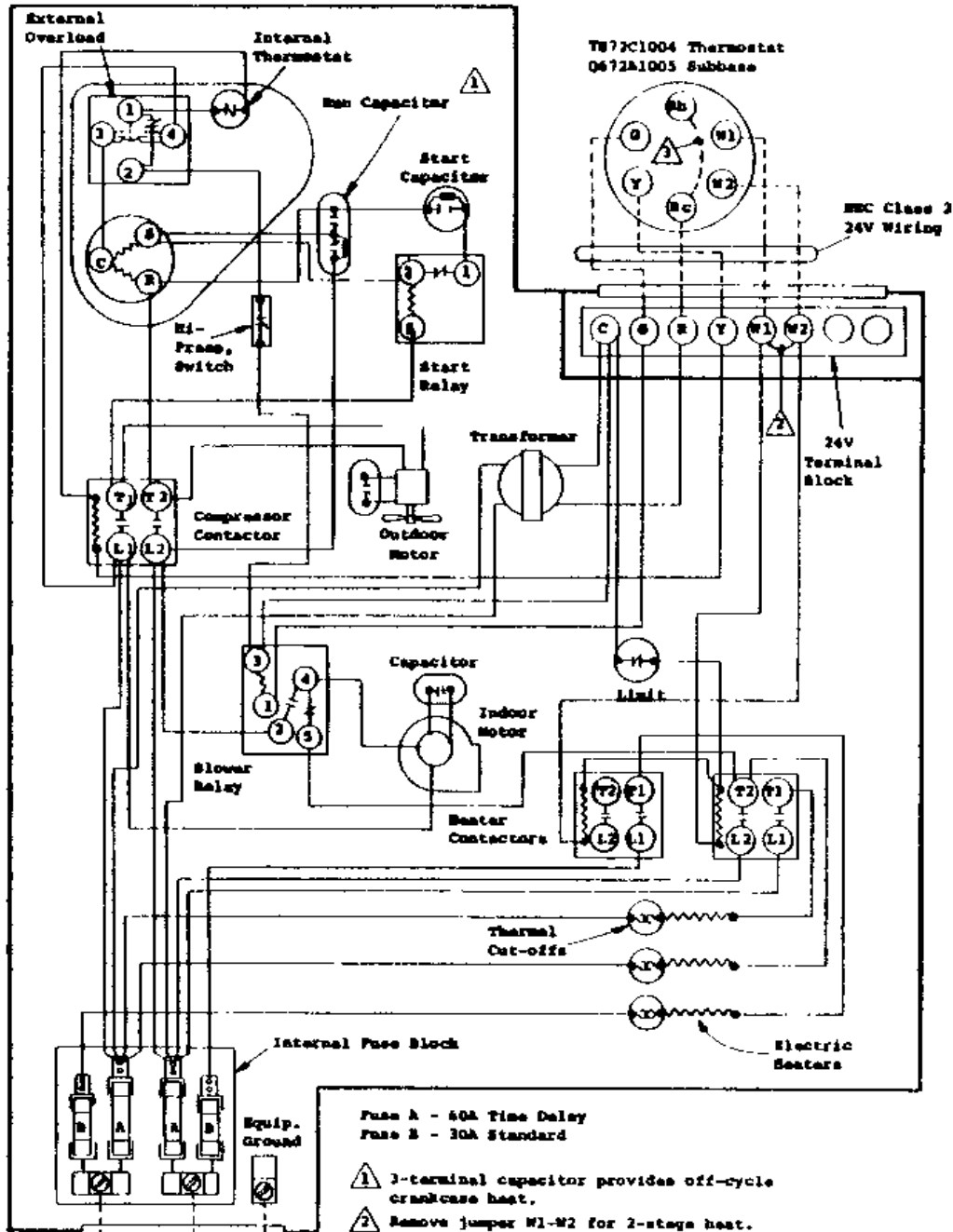
230V 60 Hz 1-Ph

Model 48MA2  
w/5Kv

Factory Wiring ———  
Field Wiring - - - - -

4010-120





Fuse A - 60A Time Delay  
 Fuse B - 30A Standard

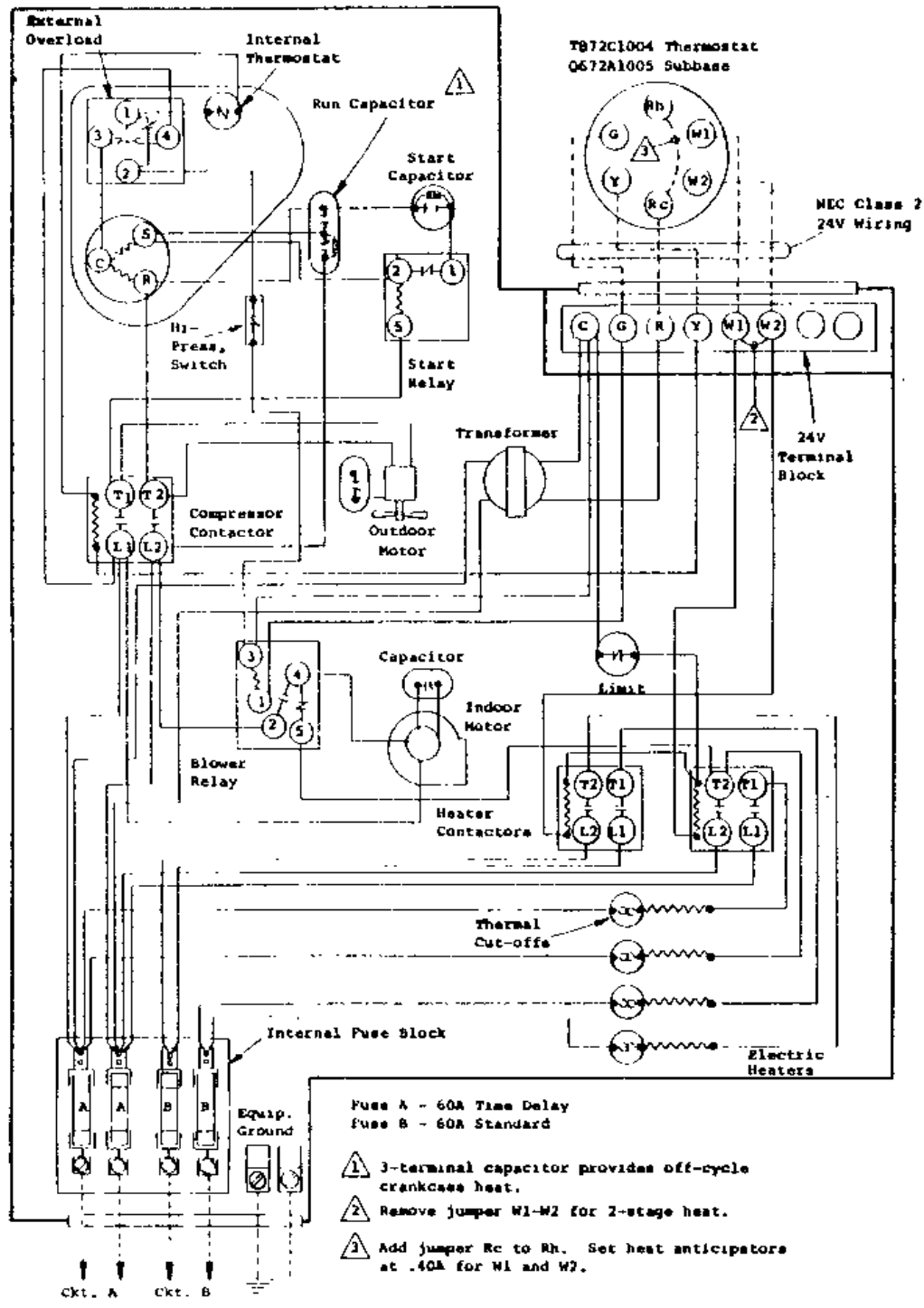
- ⚠ 1 3-terminal capacitor provides off-cycle crankcase heat.
- ⚠ 2 Remove jumper W1-W2 for 2-stage heat.
- ⚠ 3 Add jumper Rc to Rh. Set heat anticipators at .40A for W1 and W2.

210V 60 Hz 1-Ph

USE COPPER OR ALUMINUM WIRE

Model 488A2 w/15Rv

Factory Wiring -----  
 Field Wiring - - - - -



USE COPPER OR ALUMINUM WIRE

Model 48MA2

Factory Wiring ———  
Field Wiring - - - - -

4010-150