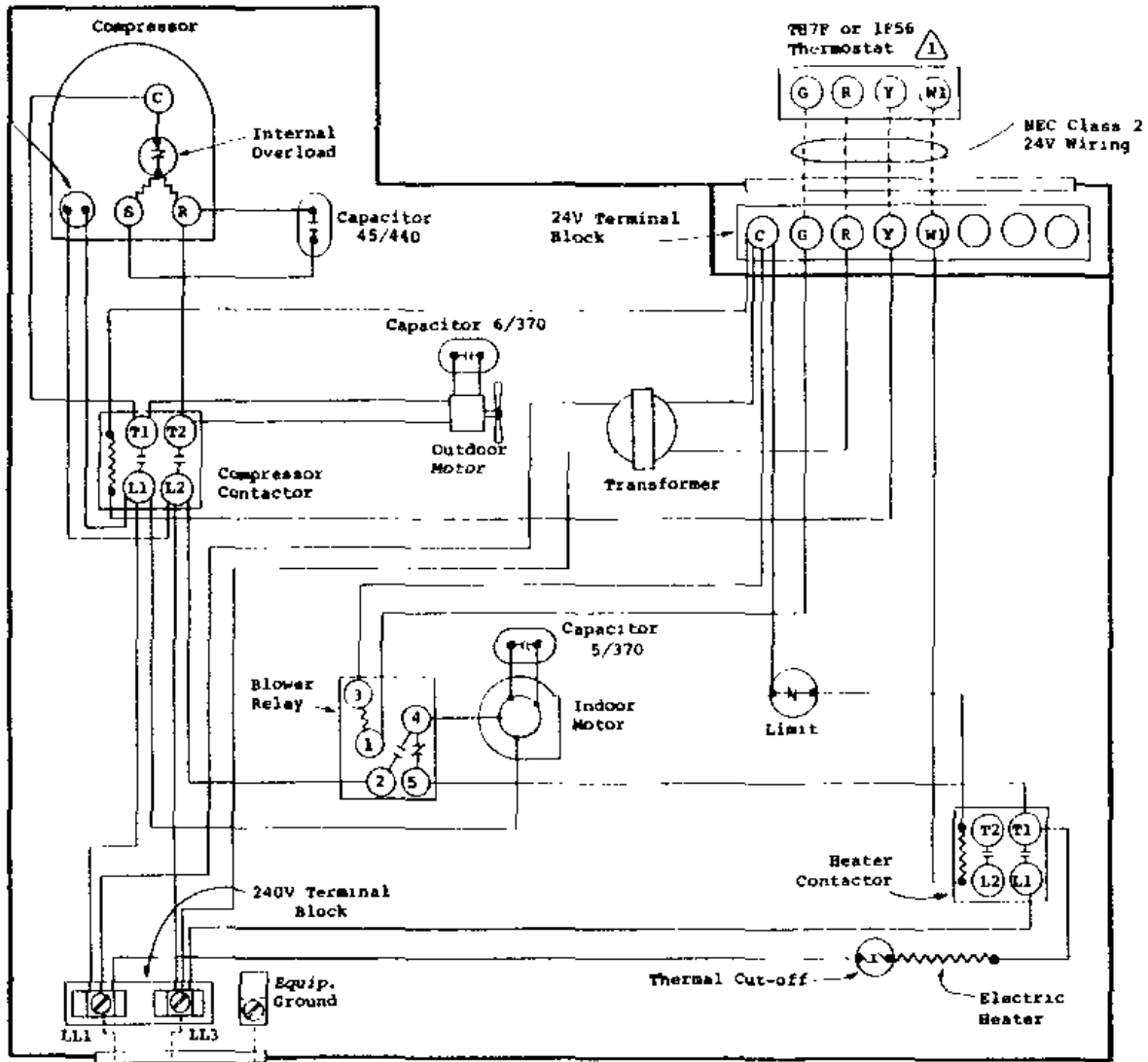


507841

MODEL 4BWA3

Factory Wiring \_\_\_\_\_  
Field Wiring - - - - -

Immersion  
CrankCase  
Heater



⚠ See alternate thermostat sheet.  
Set heat anticipator at .40A

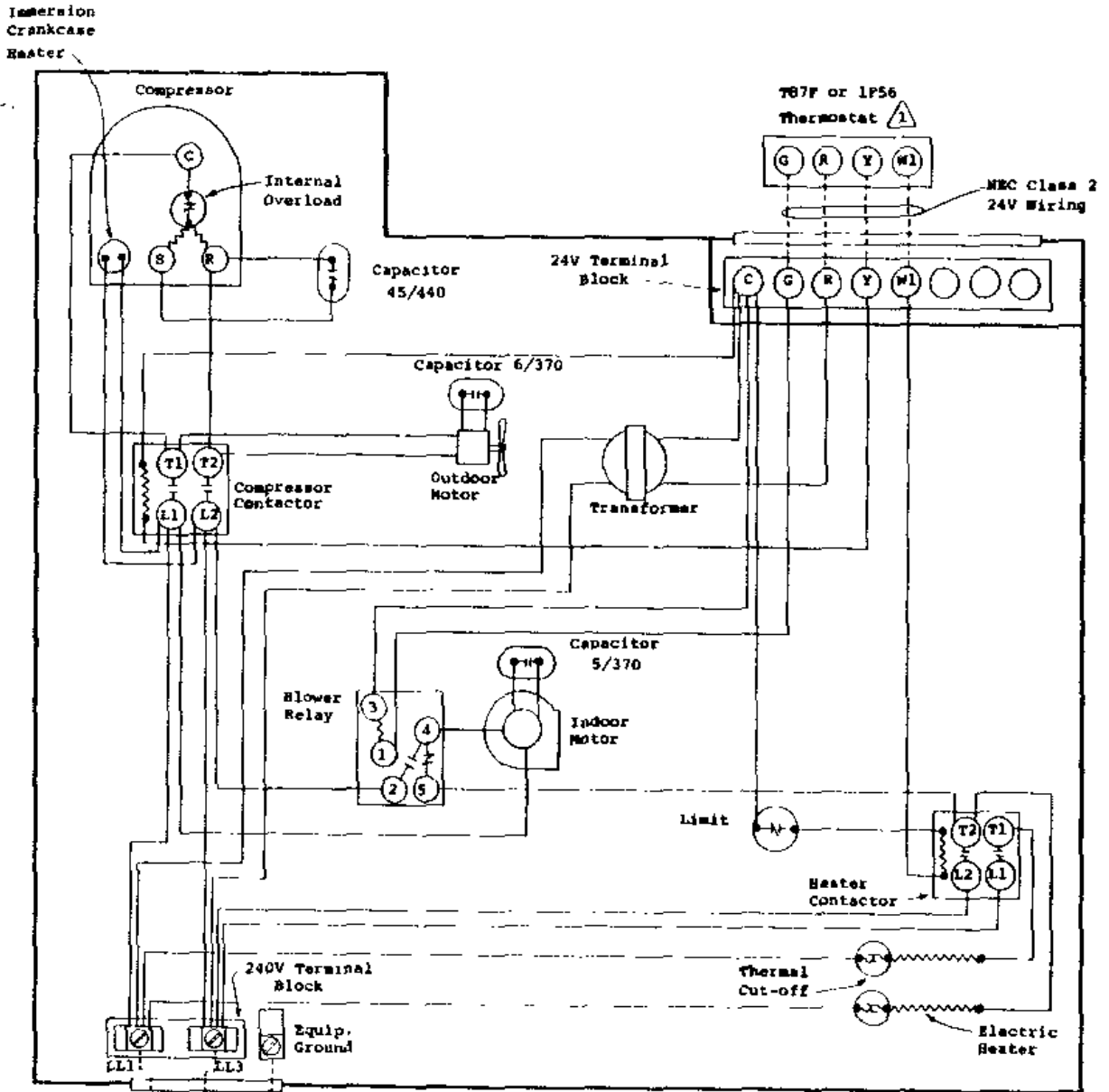
Fused  
Disconnect  
Switch

USE COPPER OR  
ALUMINUM WIRE

230V 60 Hz 1-Ph

MODEL  
48WA3  
w/3Rw

Factory Wiring ———  
Field Wiring - - - - -



⚠ See alternate thermostat sheet.  
Set heat anticipator at .40A.

Fused Disconnect Switch

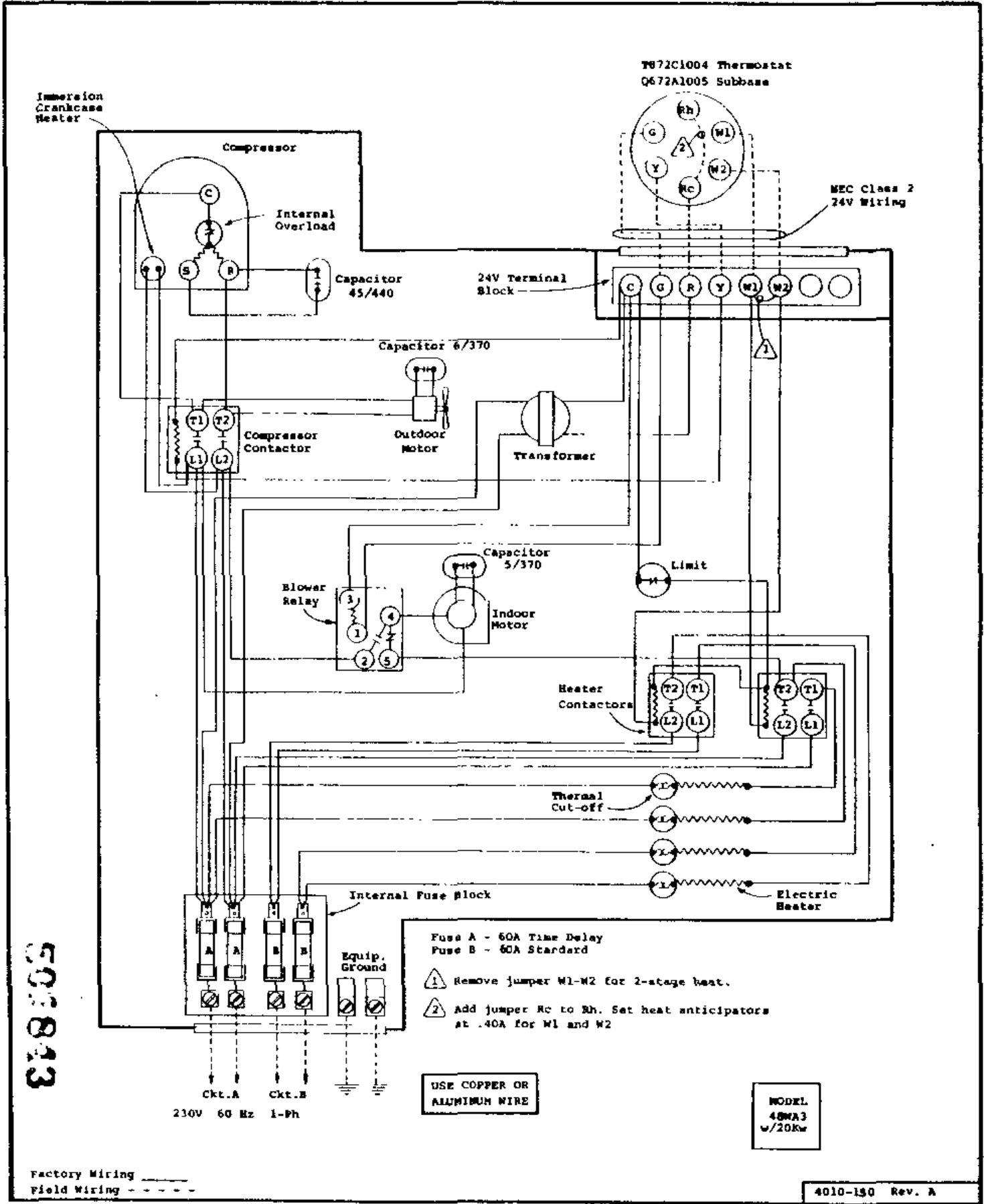
USE COPPER OR ALUMINUM WIRE

230V 60 Hz 1-Ph

MODEL  
48WA3  
w/10Hz

Factory Wiring \_\_\_\_\_  
Field Wiring - - - - -

5018A2

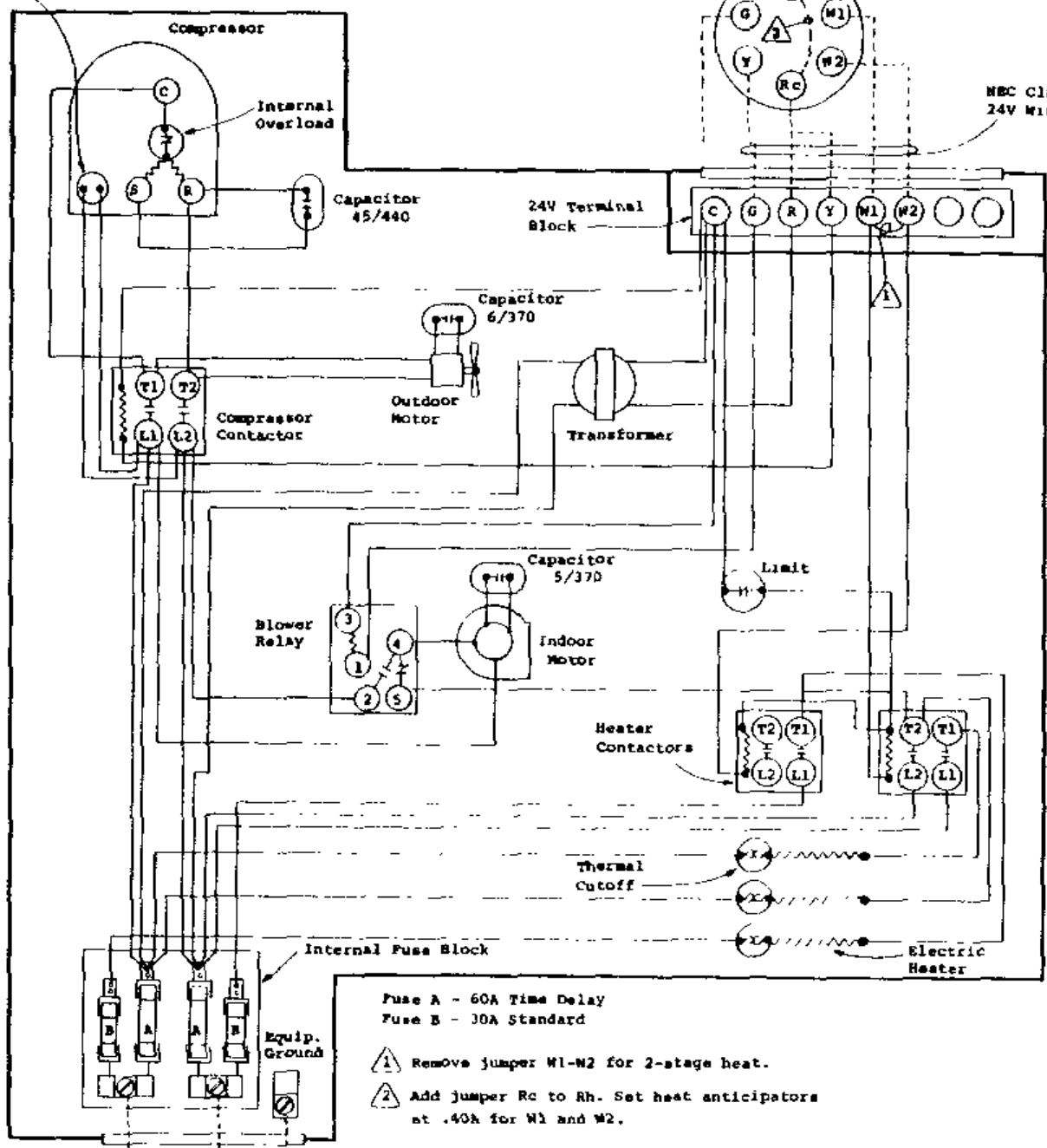


508843

Imersion Crankcase Heater

TG72C1004 Thermostat  
 Q672A1005 Subbase

NBC Class 2  
 24V Wiring



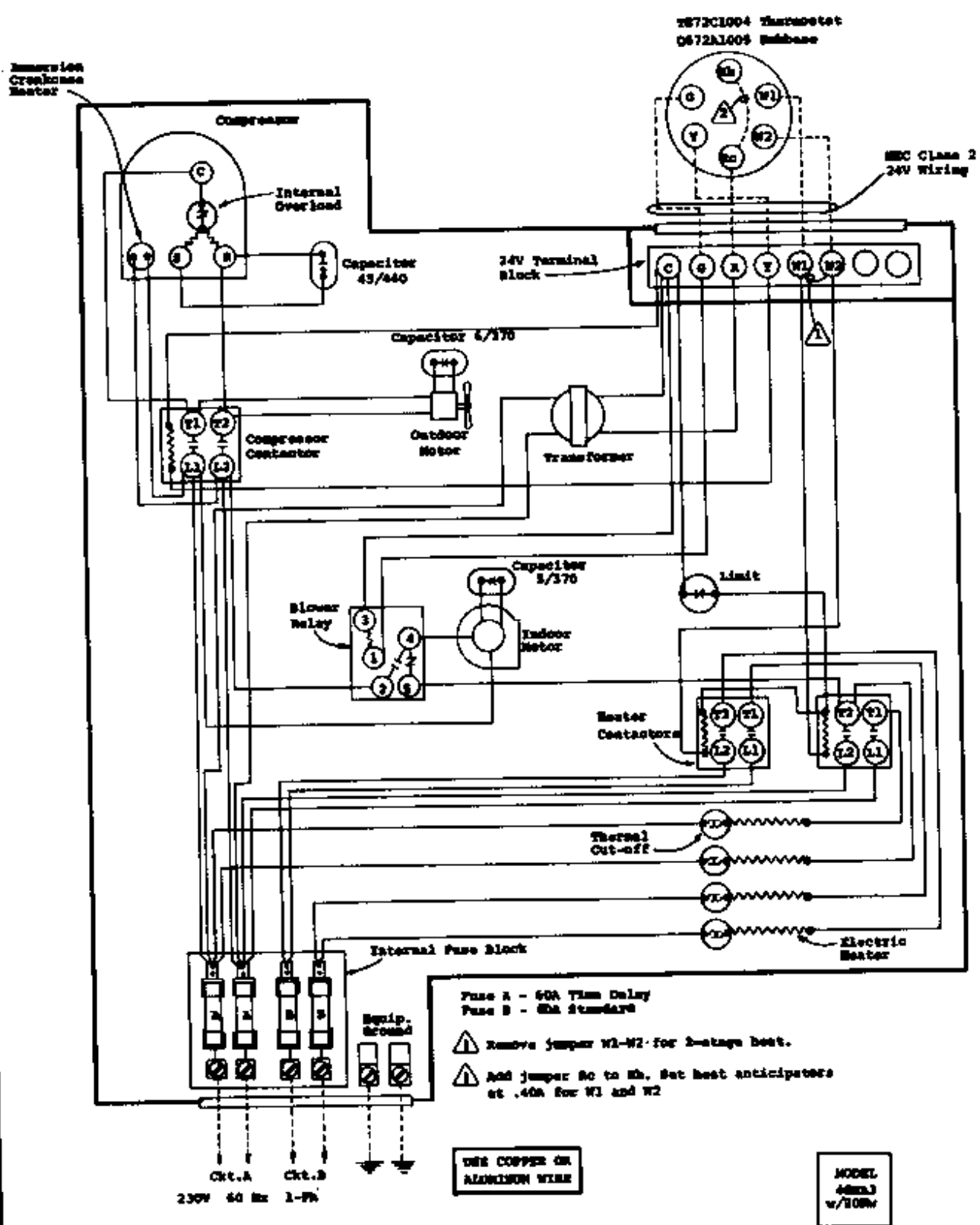
Fuse A - 60A Time Delay  
 Fuse B - 30A Standard

- ⚠ Remove jumper W1-W2 for 2-stage heat.
- ⚠ Add jumper Rc to Rh. Set heat anticipators at .40A for W1 and W2.

USE COPPER OR ALUMINUM WIRE

MODEL  
 48A3  
 w/15Kw

Factory Wiring \_\_\_\_\_  
 Field Wiring - - - - -



Factory Wiring \_\_\_\_\_  
 Field Wiring - - - - -