

If there is an X1 and X2 terminal on Q674L1181, jumper them together and connect from C to either one.

T872N1038/Q672F1299
or
T874N1024/Q674F1261

T872R1164/Q672L1185
or
T874R1129/Q674L1181

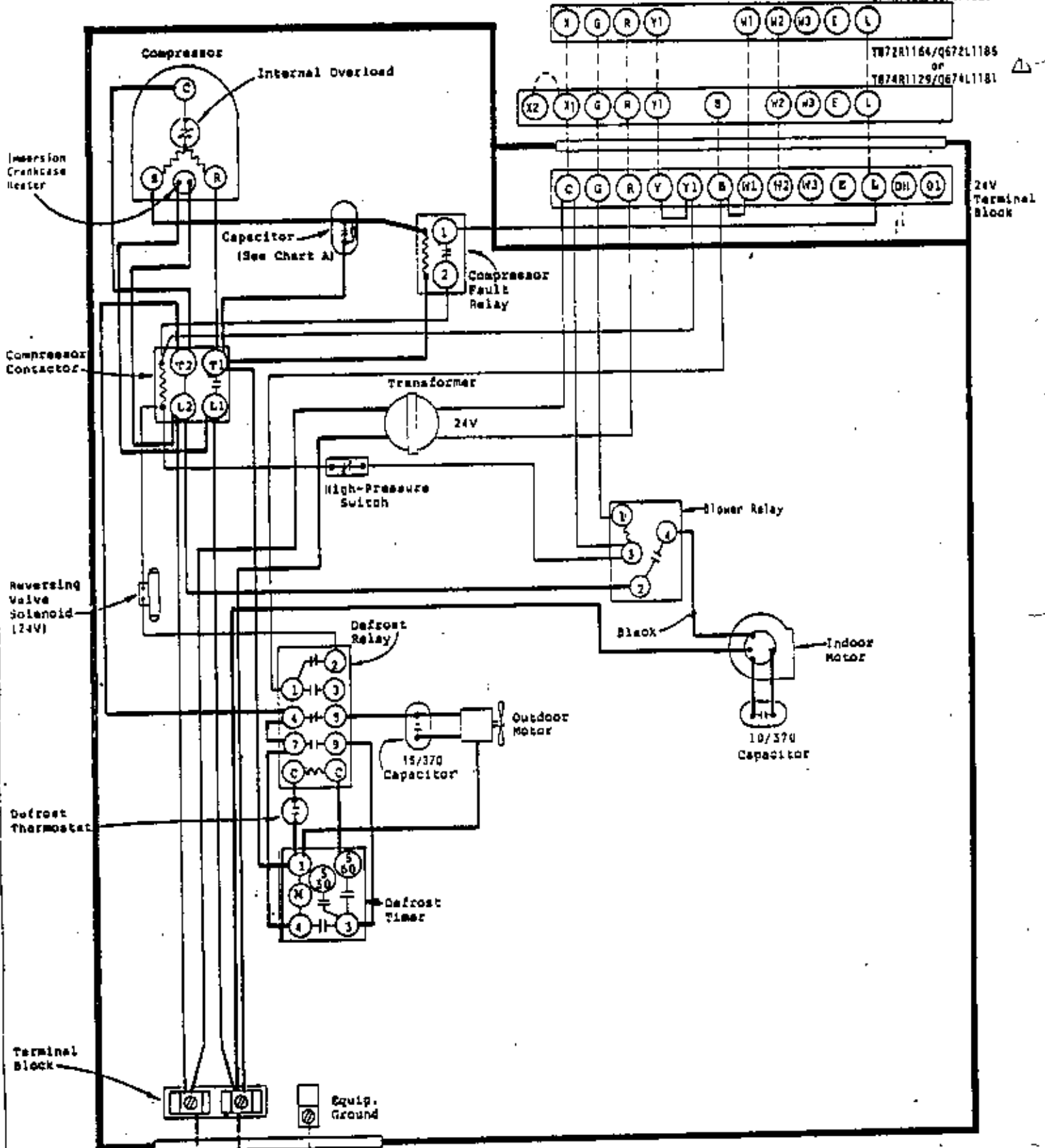


CHART A

48WH2	70/370
48WH4	40/440

MODELS
48WH2, 48WH4
HEAT PUMP
0 Kw

	FACTORY WIRING	FIELD WIRING
Low Voltage	-----	-----
High Voltage	-----	-----

USE COPPER OR ALUMINUM WIRE

Fused Disconnect Switch

230/208-60-1

⚠ If there is an K1 and X2 terminal on D674L1181, jumper them together and connect from C to either one.

T872N1036/0672F1299
or
T874N1024/0674F1261

T872R1184/0672L1185
or
T874R1129/0674L1181

24V Terminal Block

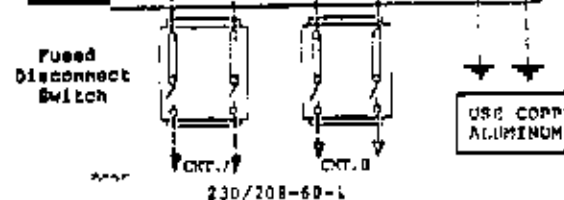
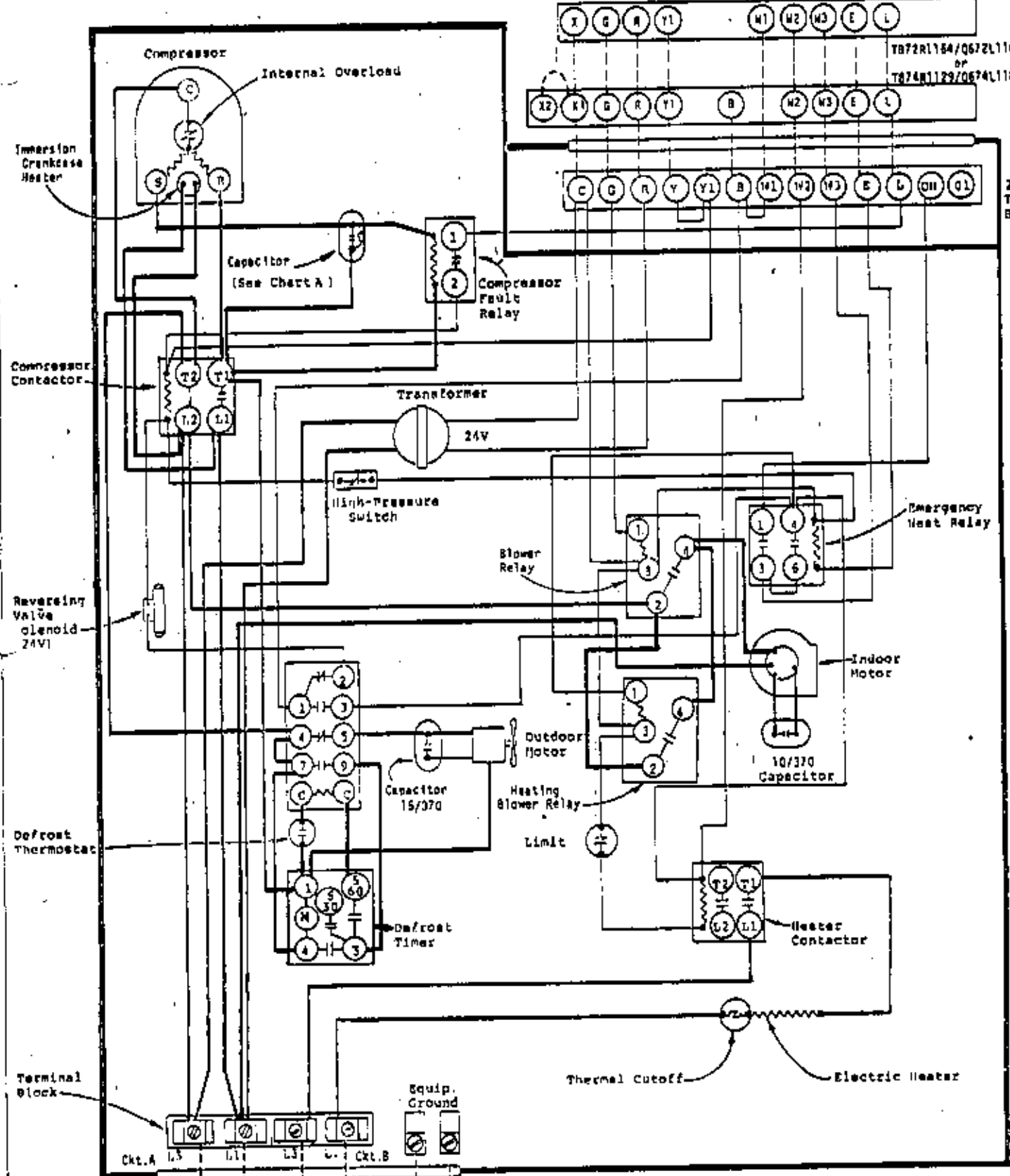


CHART A

48WH2	70/370
48WH4	40/440

USE COPPER OR ALUMINUM WIRE

	FACTORY WIRING	FIELD WIRING
Low Voltage	————	- - - -
High Voltage	————	————

MODEL
48WH2, 48WH4
HEAT PUMP
5 Kw

230/208-60-1

4014-120 H

⚠ If there is an X1 and X2 terminal on Q674L1181, jumper them together and connect from C to either one.

T872N1036/Q672F1299
OR
T874N1024/Q674F1261

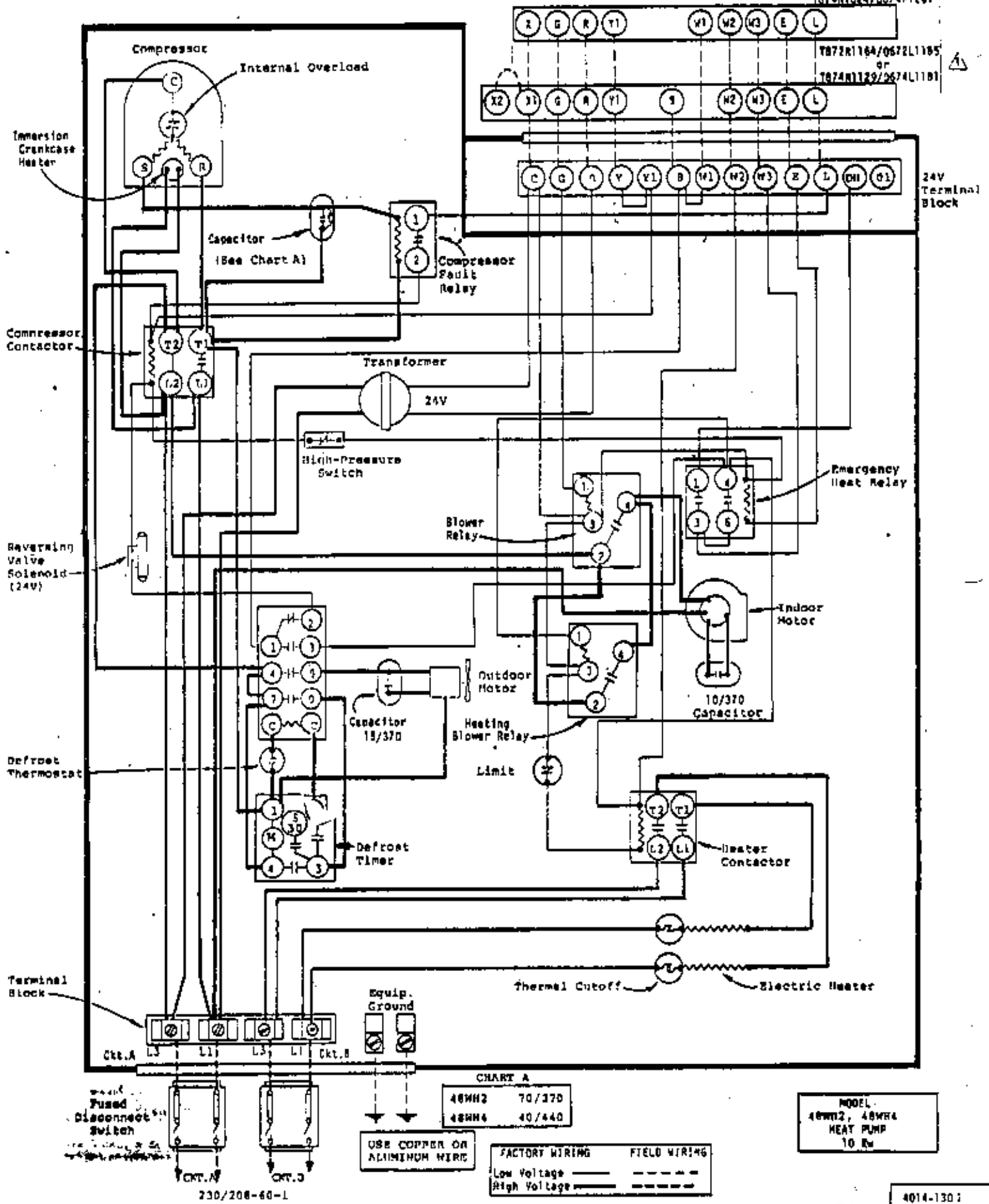


CHART A

48WH2	70/370
48WH4	40/440

MODEL
48WH2, 48WH4
HEAT PUMP
10 Kw

	FACTORY WIRING	FIELD WIRING
Low Voltage	_____	-----
High Voltage	_____	-----

USE COPPER OR ALUMINUM WIRE

Special Fused Disconnect Switch

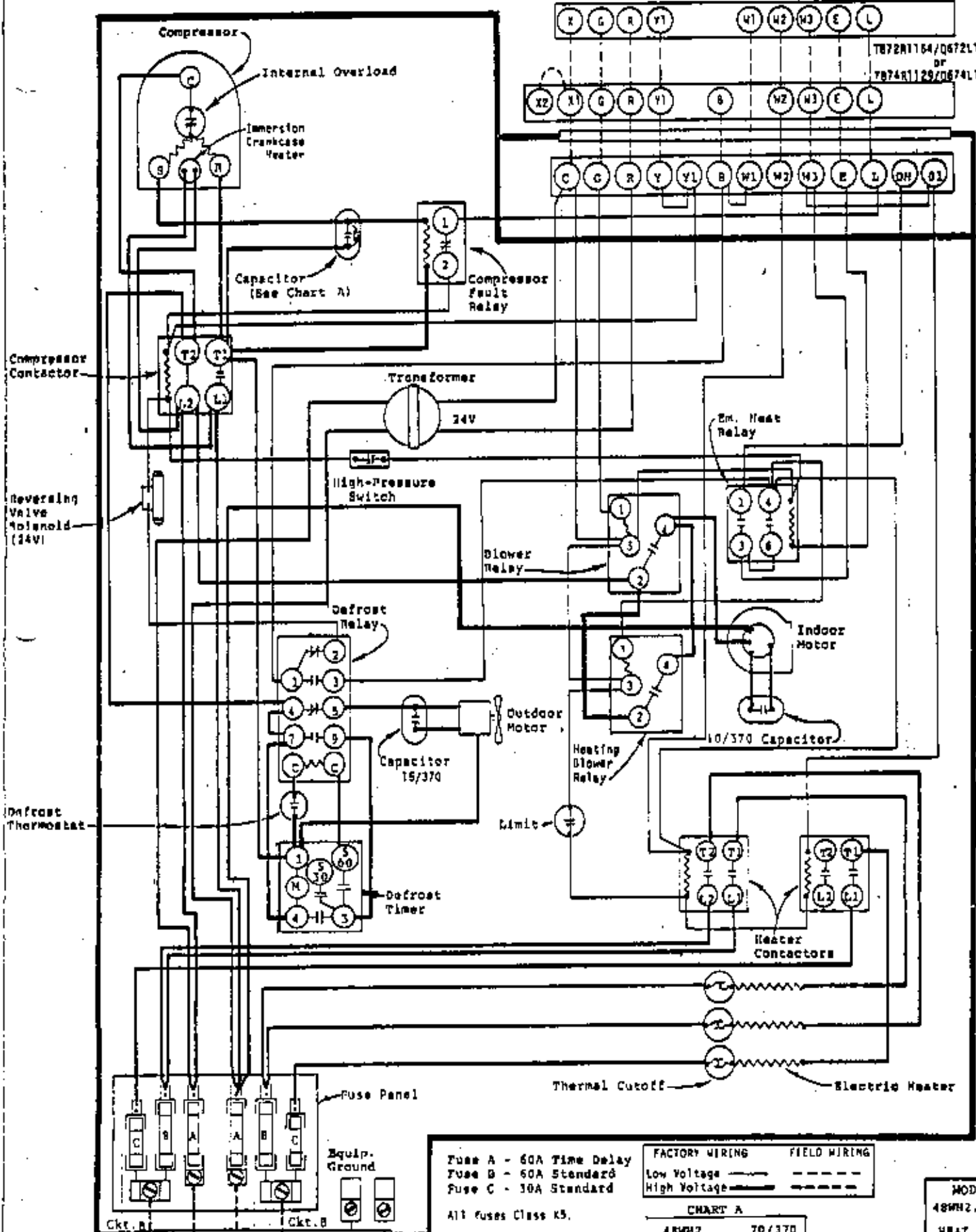
230/208-60-1

⚠ If there is an X1 and X2 terminal on Q674L1181
 Jumper them together and connect from C to either one.

T872N1036/Q672F1299
 OR
 T874M1024/Q674F1261

T872R1164/Q672L1185
 OR
 T874R1129/Q674L1181

24V
 Terminal
 Block



USE COPPER OR
 ALUMINUM WIRE

230/208-50-1

Fuse A - 60A Time Delay
 Fuse B - 60A Standard
 Fuse C - 30A Standard
 All fuses Class K5.

FACTORY WIRING	FIELD WIRING
Low Voltage	-----
High Voltage	-----

CHART A

48WH2	70/370
48WH4	40/440

MODEL
 48WH2, 48WH4
 HEAT PUMP
 15 T₂

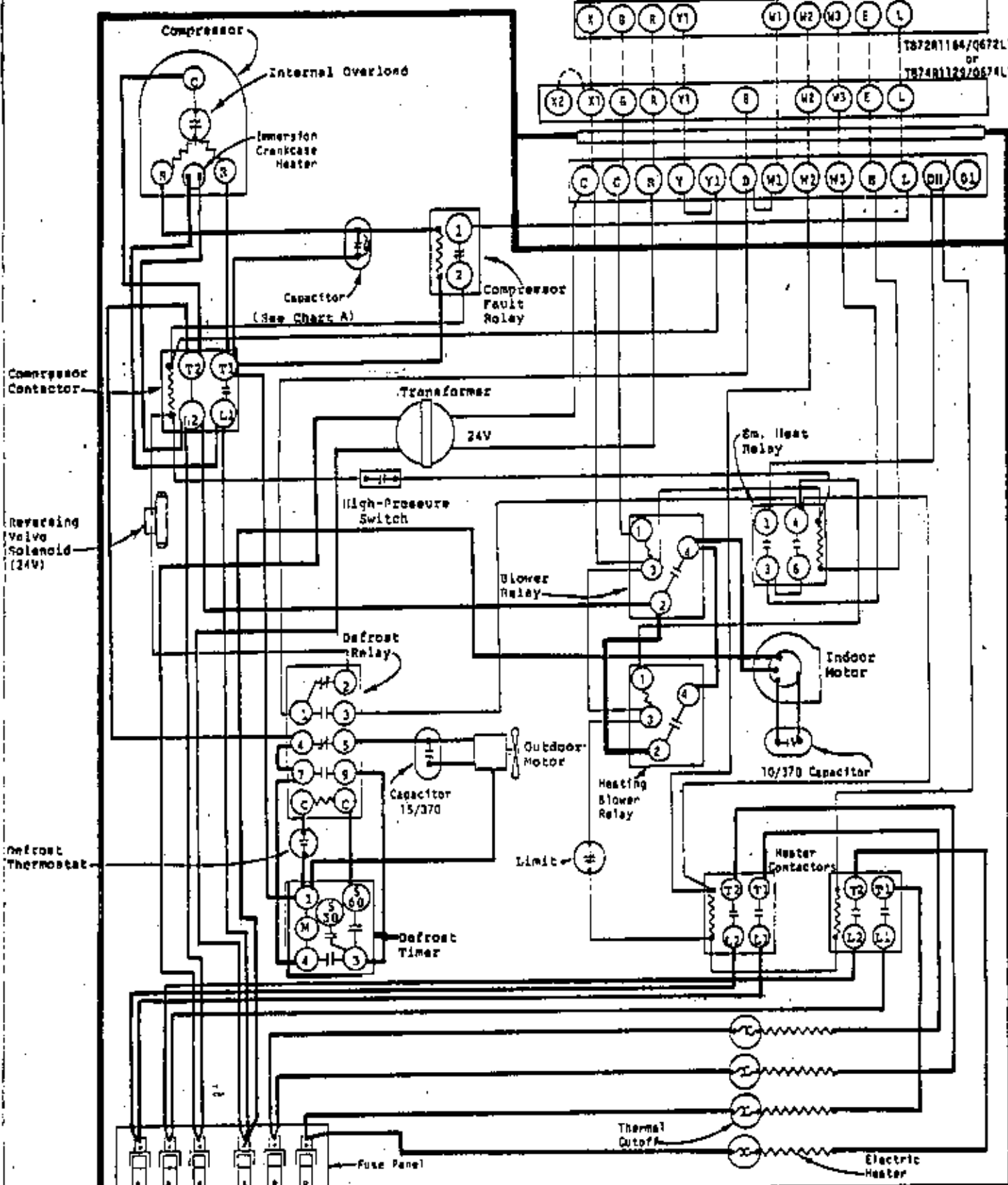
4016-1403

⚠ If there is an X1 and X2 terminal on Q674L1161, jumper them together and connect from C to either one.

T872N1034/Q672F1299
or
T874R1024/Q674F1261

T872R1164/Q672L1165
or
T874R1129/Q674L1161

24V
Terminal
Block



USE COPPER OR ALUMINUM WIRE

230/208-60-1

Fuse A - 60A Time Delay
Fuse B - 60A Standard
All fuses class K5.

FACTORY WIRING	FIELD WIRING
Low Voltage	-----
High Voltage	-----

MODEL
48WH2, 48WH4
HEAT PUMP
20 kw

CHART A

48WH2	70/370
48WH4	40/440

4014-150j