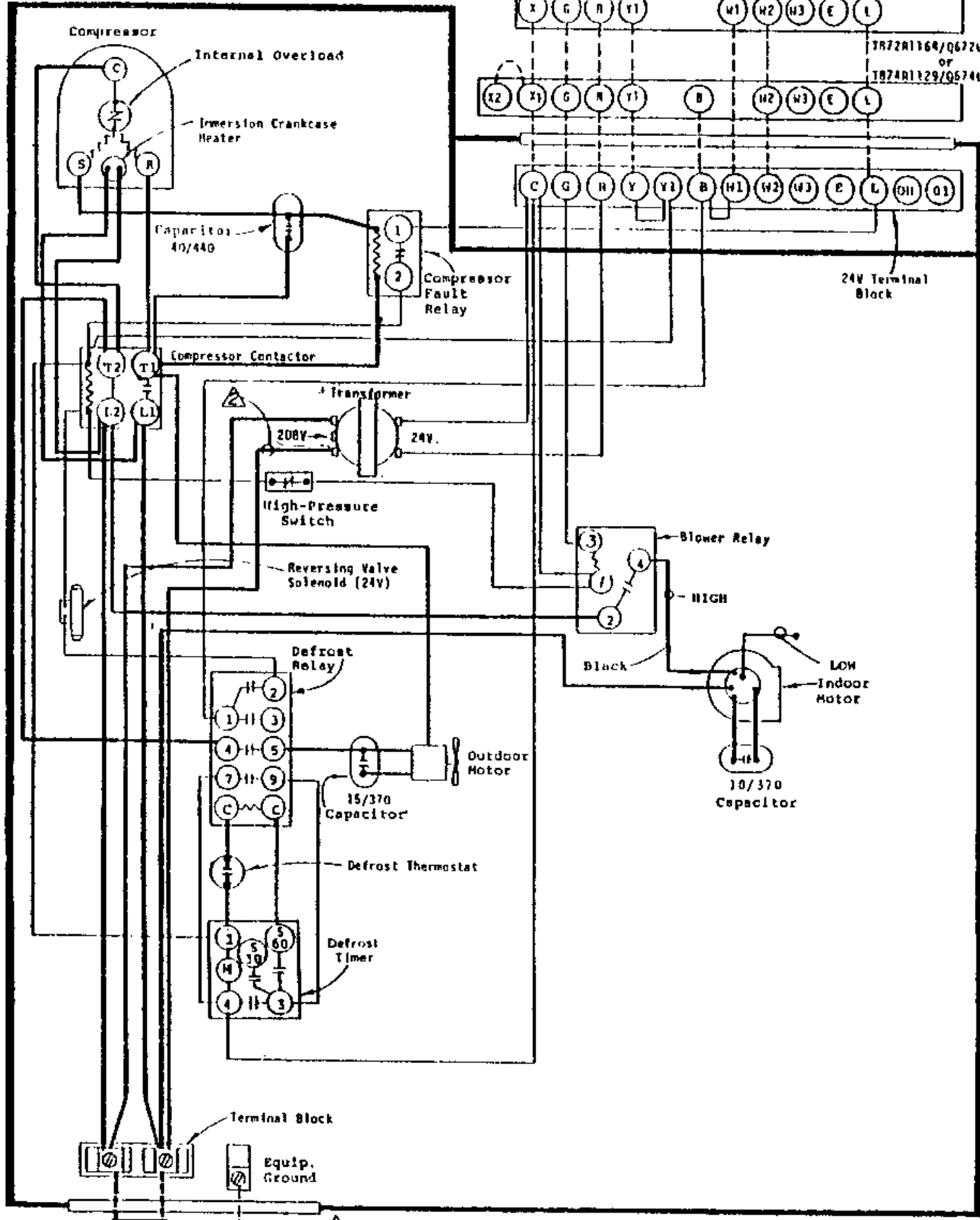


1R72H1036/Q672F1299
OR
1B74R1024/Q674F1261

1R72R1164/Q672L1185
OR
1B74R1129/Q674L1101



⚠ If there is an X1 and X2 terminal on 0674L1101
Jumper them together and connect from C to either one.
⚠ For 208v operation move this wire to 208V transformer tap.

USE COPPER OR ALUMINUM WIRE

	FACTORY WIRING	FIELD WIRING
Low Voltage	_____	-----
High Voltage	_____	-----

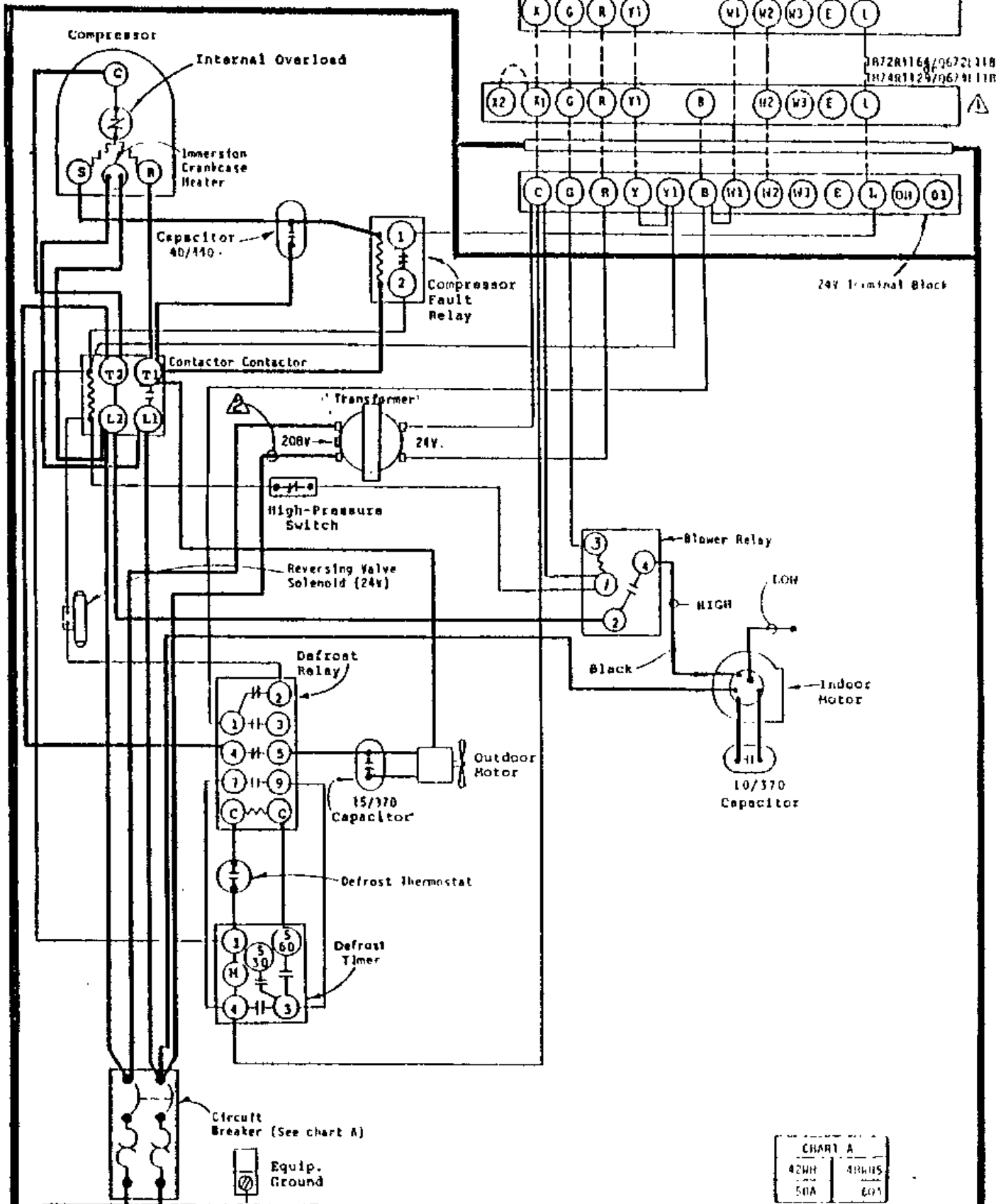
MODELS
420H, 480H5
HEAT PUMP
8 KW

210/208-60-1

4014-1101

1B72H1036/Q572F129
or
7B74N1024/Q674F126

1B72R1164/Q672L118
1B74R1125/Q674L118



USE COPPER OR ALUMINUM WIRE

FACTORY WIRING	FIELD WIRING
Low Voltage _____	Low Voltage _____
High Voltage _____	High Voltage _____

CHART A	
42WH	48WH5
50A	60A

MODELS
42WH, 48WH5
HEAT PUMP
Q KW

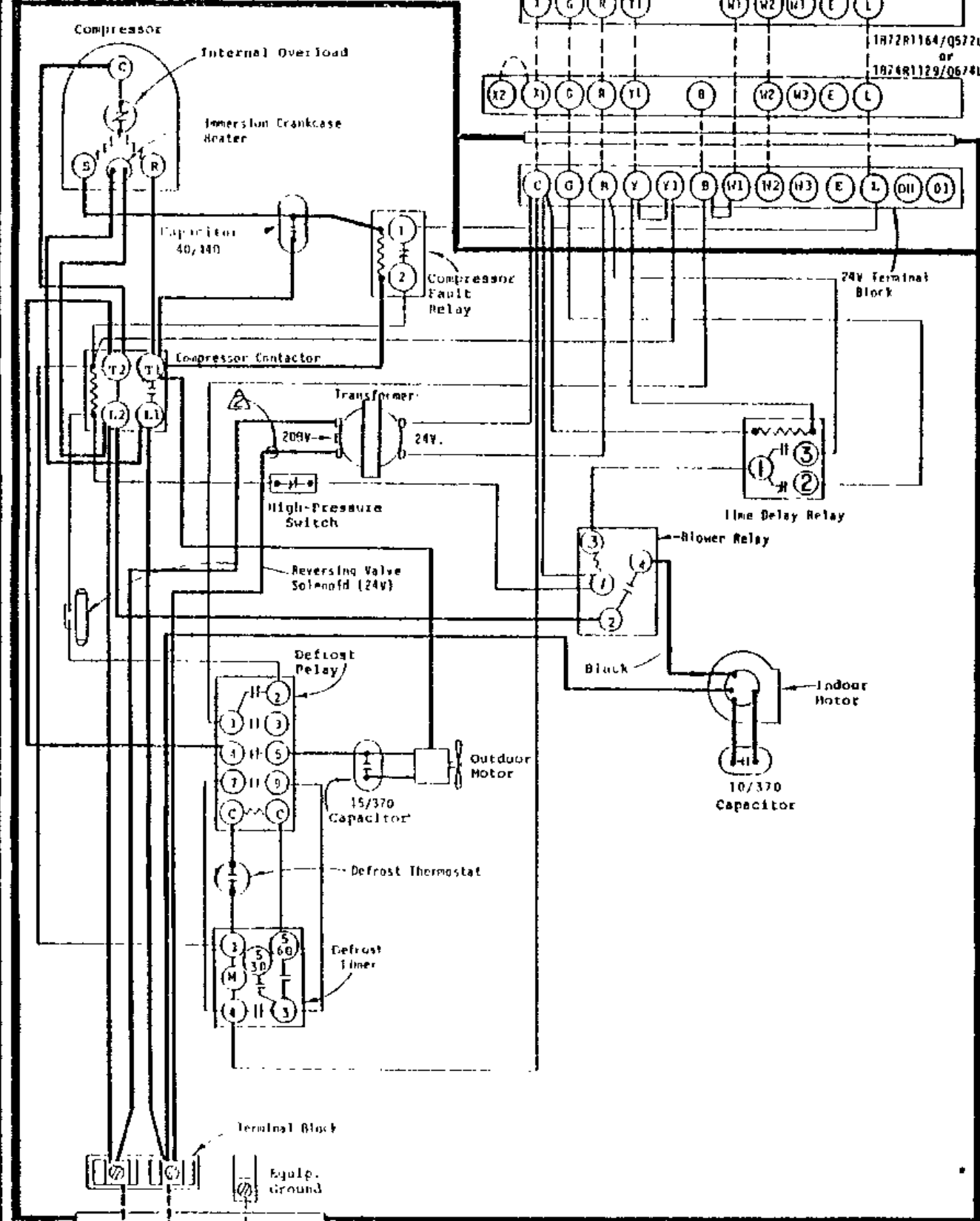
210/200-60-1

4014-111 C

- ⚠ If there is an X1 and X2 terminal on Q674L1181, jumper them together and connect from C to either one.
- ⚠ For 208V operation give this wire to 208V transformer tap

TR77H1036/Q672F1299
 or
 TR74N1024/Q574F1261

TR72R1164/Q572L1185
 or
 TR74R1129/Q574L1181



⚠ If there is an X1 and X2 terminal on Q674L1181
 jumper these terminals and connect from C to either one
 ⚠ For 209V operation move this wire to 209V transformer tap

USE COPPER OR ALUMINUM WIRE

FACTORY WIRING	FIELD WIRING
Low Voltage	-----
High Voltage	-----

MODELS
 42WU, 40WU5
 HEAT PUMP
 0 kW

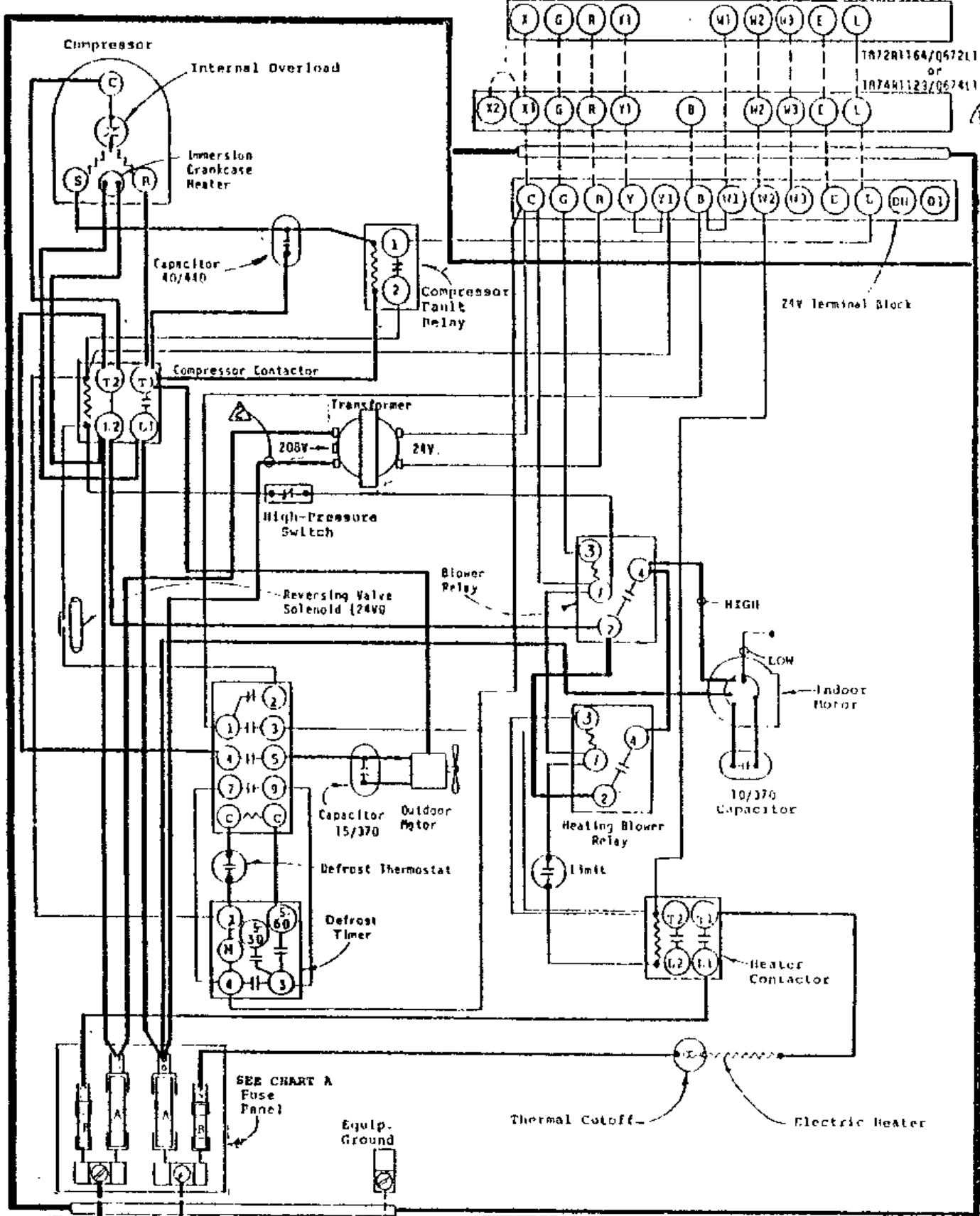
230/208 60 1

4014-112

⚠ If there is an K1 and K2 terminal on Q674L1101, jumper them together and connect from C to either one.

⚠ For 208V operation move this wire to 208V transformer tap.

T672N1036/Q672F1299
or
T674N1024/Q674F1261



230/208 60-1

USE COPPER OR ALUMINUM WIRE

SEE CHART A Fuse Panel

CHART A	
208V/1	240V/1.5
Fuse A	50A 1P
Fuse B	30A STANDARD

ALL FUSES CLASS K5

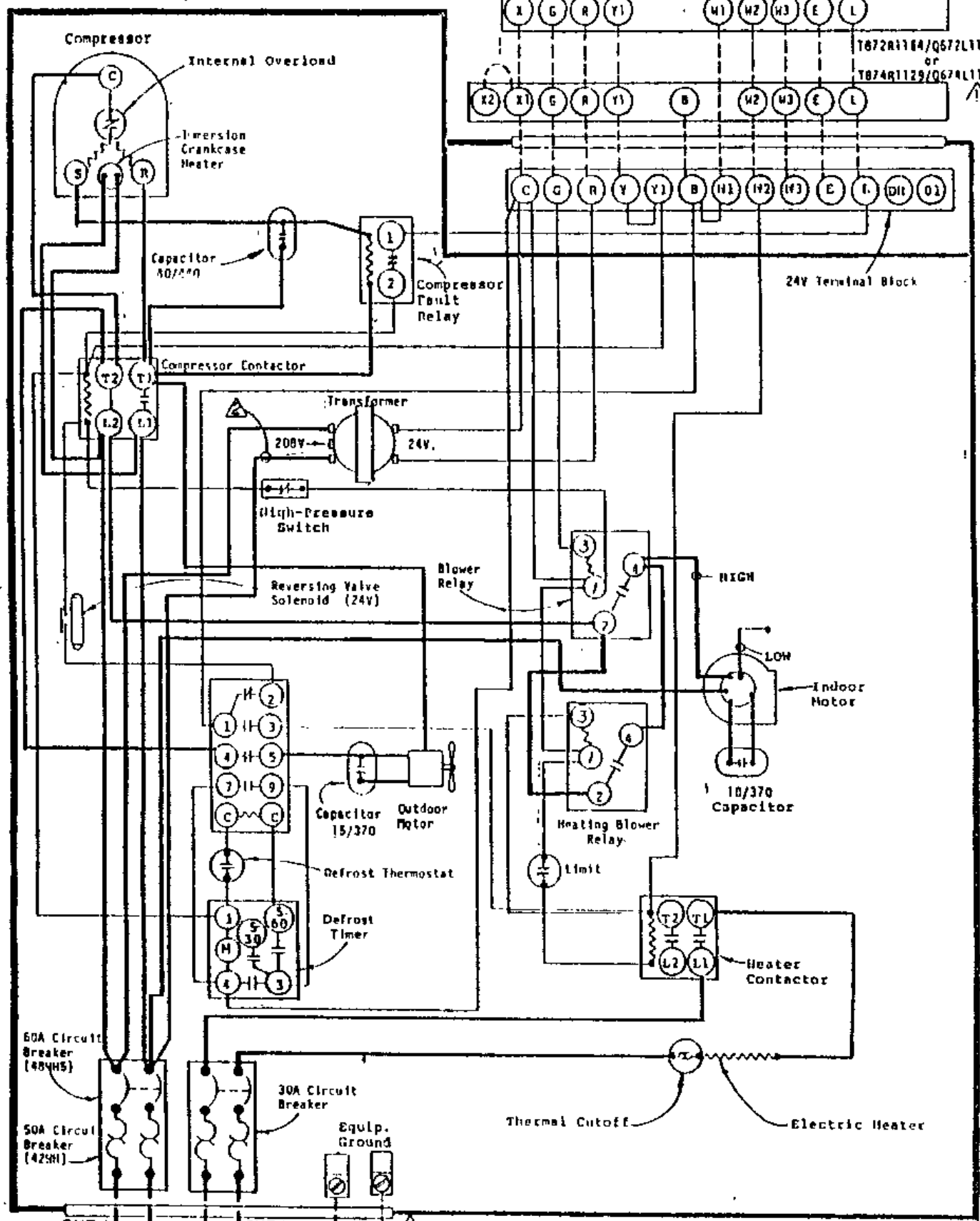
	FACTORY WIRING	FIELD WIRING
low Voltage	-----	-----
high Voltage	-----	-----

MODEL
42W4 48W4S
HEAT PUMP
5 Kw

4014 120N

T872H1036/Q672F1299
or
T874R1024/Q674F1261

T872R1184/Q672L1185
or
T874R1129/Q674L1181



⚠ If there is an X1 and X2 terminal on Q674L1181, jumper them together and connect from C to either one.
⚠ For 200V operation move this wire to 208V transformer tap.

USE COPPER OR ALUMINUM WIRE

	FACTORY WIRING	FIELD WIRING
Low Voltage	—————	- - - - -
High Voltage	—————	- - - - -

MODEL
42HC, 48VHS
HEAT PUMP
5 Kw

4014-1211

CKT A
CKT B
230/208-60-1

60A Circuit Breaker (48VHS)
30A Circuit Breaker
Equip. Ground

HIGH
LOW
Indoor Motor

10/370 Capacitor

Heater Contactor

Thermal Cutoff
Electric Heater

Capacitor 40/200

Compressor Fault Relay

Compressor Contactor

Transformer

208V 24V

High-Pressure Switch

Reversing Valve Solenoid (24V)

Blower Relay

Capacitor 15/370 Outdoor Motor

Defrost Thermostat

Defrost Timer

Heating Blower Relay

Limit

⚠ If there is an X1 and X2 terminal on 0674L1181, jumper them together and connect from C to either one.

⚠ For 208V operation move this wire to 208V transformer tap.

FA72N1036/Q672F1299
OR
TA74N1024/Q674F1261

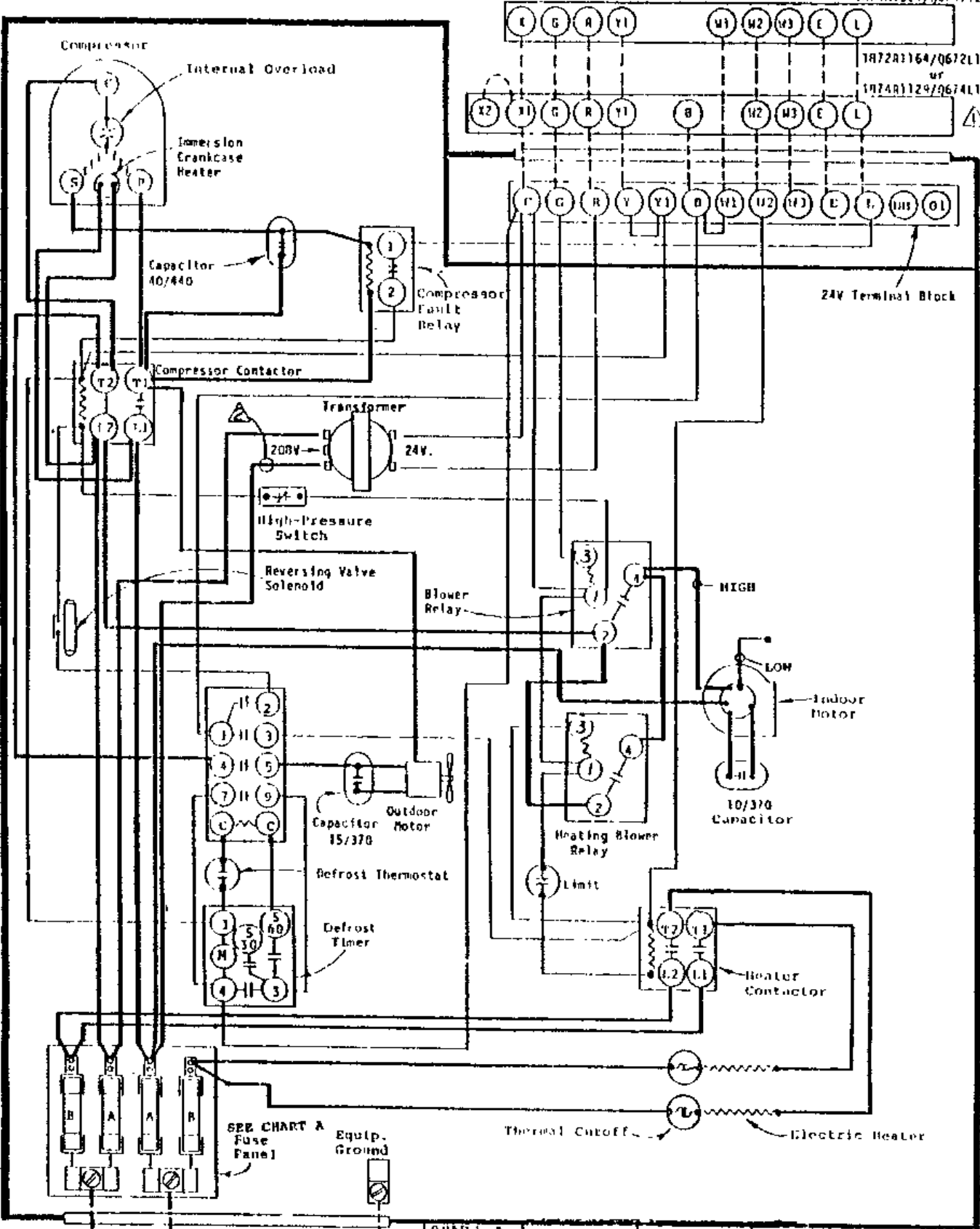


CHART A

	42WU	48WU5
Fuse A	50A Time Delay	60A Time Delay
Fuse B	60A Standard	

USE COPPER OR ALUMINUM WIRE

ALL FUSES CLASS K5

FACTORY WIRING	FIELD WIRING
Low Voltage	-----
High Voltage	-----

MODEL
42WH, 48W-1, 5,
HEAT PUMP
10 Kw

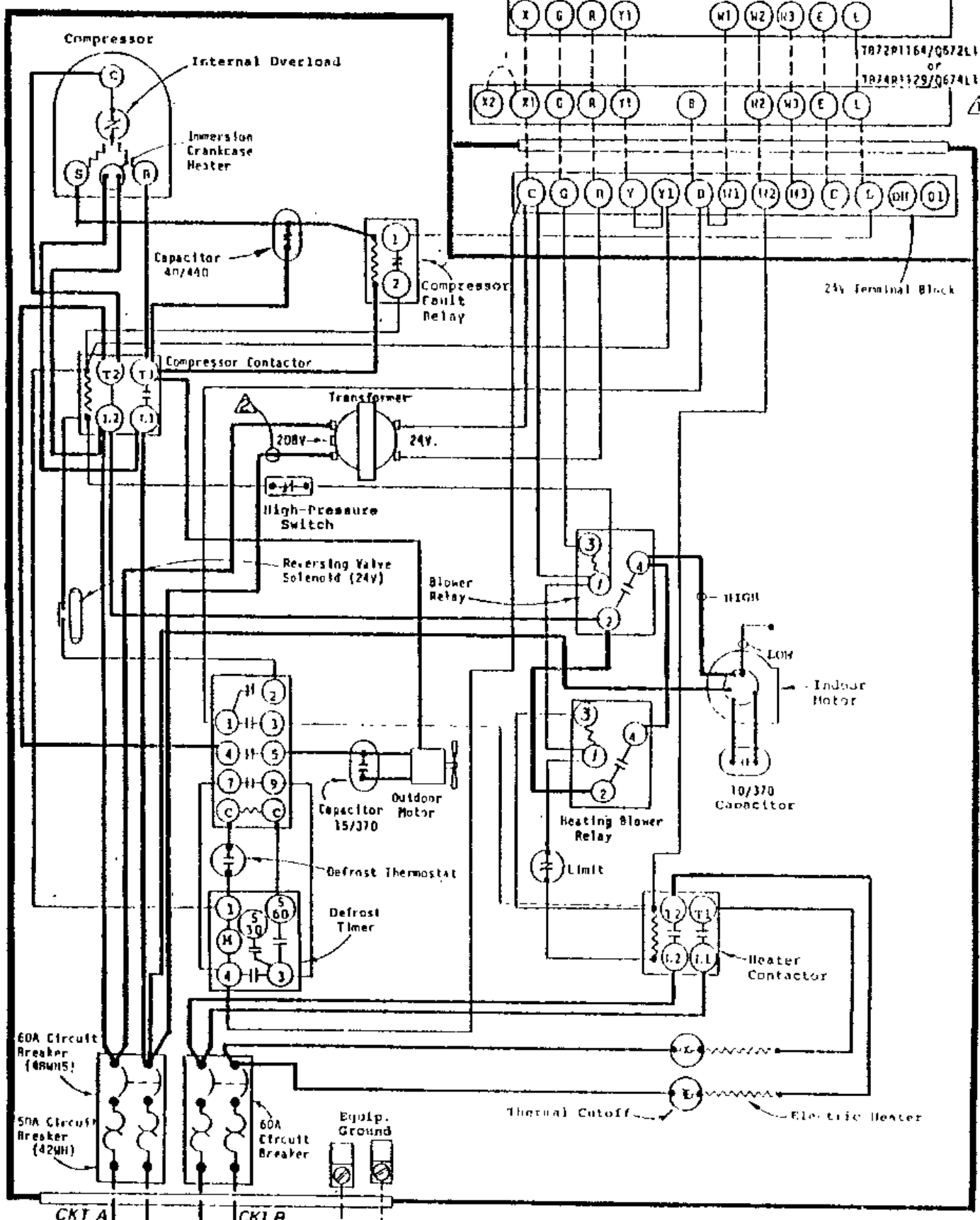
4014-130R

⚠ If there is an X1 and X2 terminal on (674L118), jumper them together and connect from C to either one.

⚠ For 208V operation move this wire to 208V transformer tap.

1072H1036/Q672T1299
OR
T074N1024/Q674F1261

T072P1164/Q672L1185
OR
T074R1129/Q674L1181



CKT A
CKT B
230/208-60-1

USE COPPER OR ALUMINUM WIRE

FACTORY WIRING	FIELD WIRING
Low Voltage	-----
High Voltage	-----

MOPEI
424H, 180, 115
HEAT PUMP
10 Kw

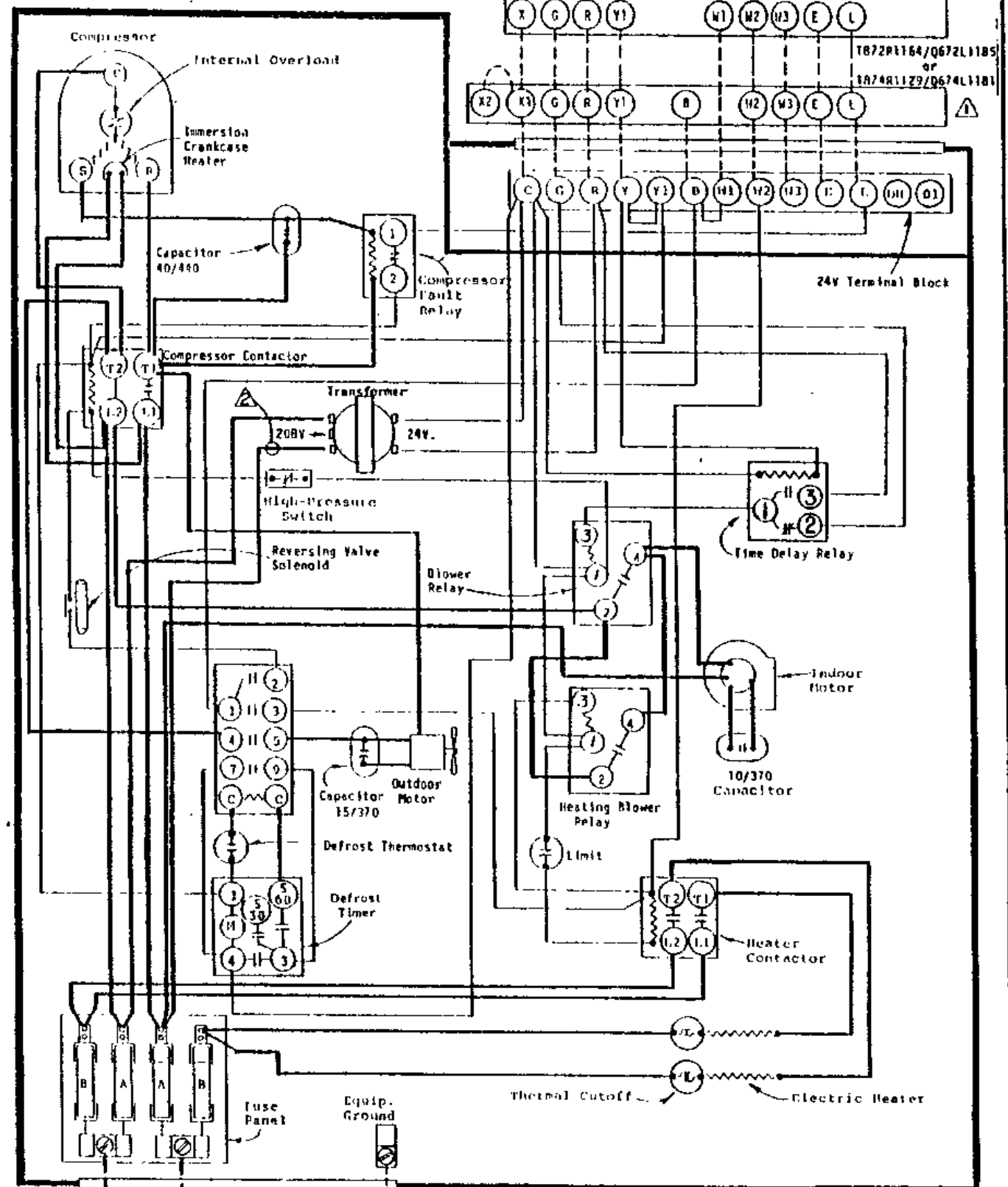
1074131 D

⚠ If there is an X1 and X2 terminal on 0674L1181, jumper them together and connect from C to either one.

⚠ For 208V operation move this wire to 208V transformer tap.

TB72M1036/Q672F1239
or
1A74N1024/Q674F1261

TB72R1164/Q672L1185
or
1A74R1129/Q674L1181



Fuse A - 50A T.D. for 42WH, 60A T.D. for 48WH
Fuse B - 60A Standard
All fuses class K5

UNIT
42WH, 48WH
HEAT PUMP
10 Kw

USE COPPER OR ALUMINUM WIRE

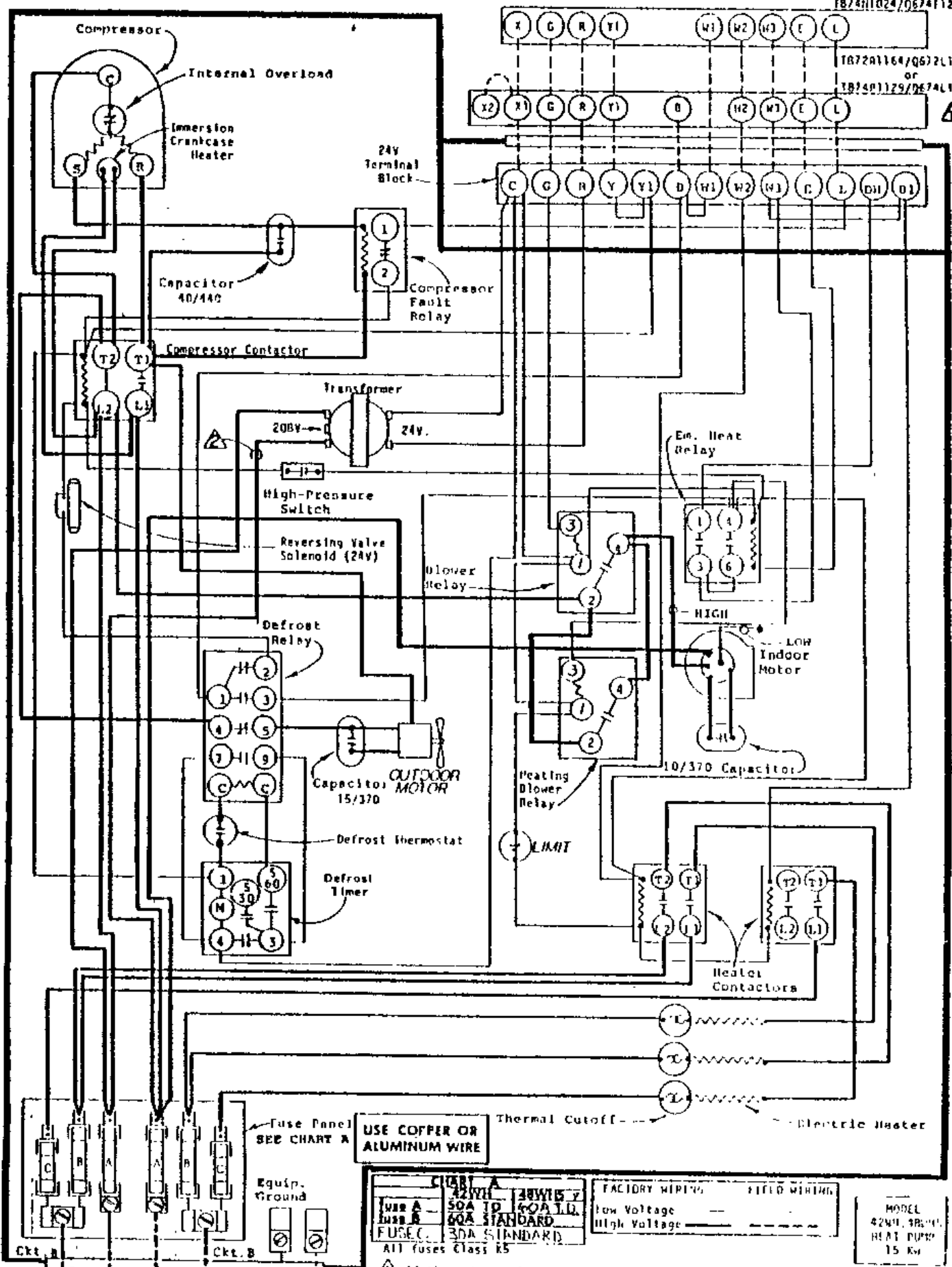
FACTORY WIRING	FIELD WIRING
Low Voltage	-----
High Voltage	-----

401132A

230/208-60-1

7A72H1036/Q672F1279
or
7B72H1024/Q674F1261

7B72A1164/Q672L1185
or
7B74H1129/Q674L1181



USE COPPER OR ALUMINUM WIRE

CLUB A	42W/11	138W/15
WIRE A	50A TO 100A I.D.	
FUSE B	60A STANDARD	
FUSE C	30A STANDARD	
All fuses Class K5		

FACTORY WIRING	FIELD WIRING
Low Voltage	_____
High Voltage	_____

MODEL
42W/11, 138W/15
HEAT PUMP
15 Kw

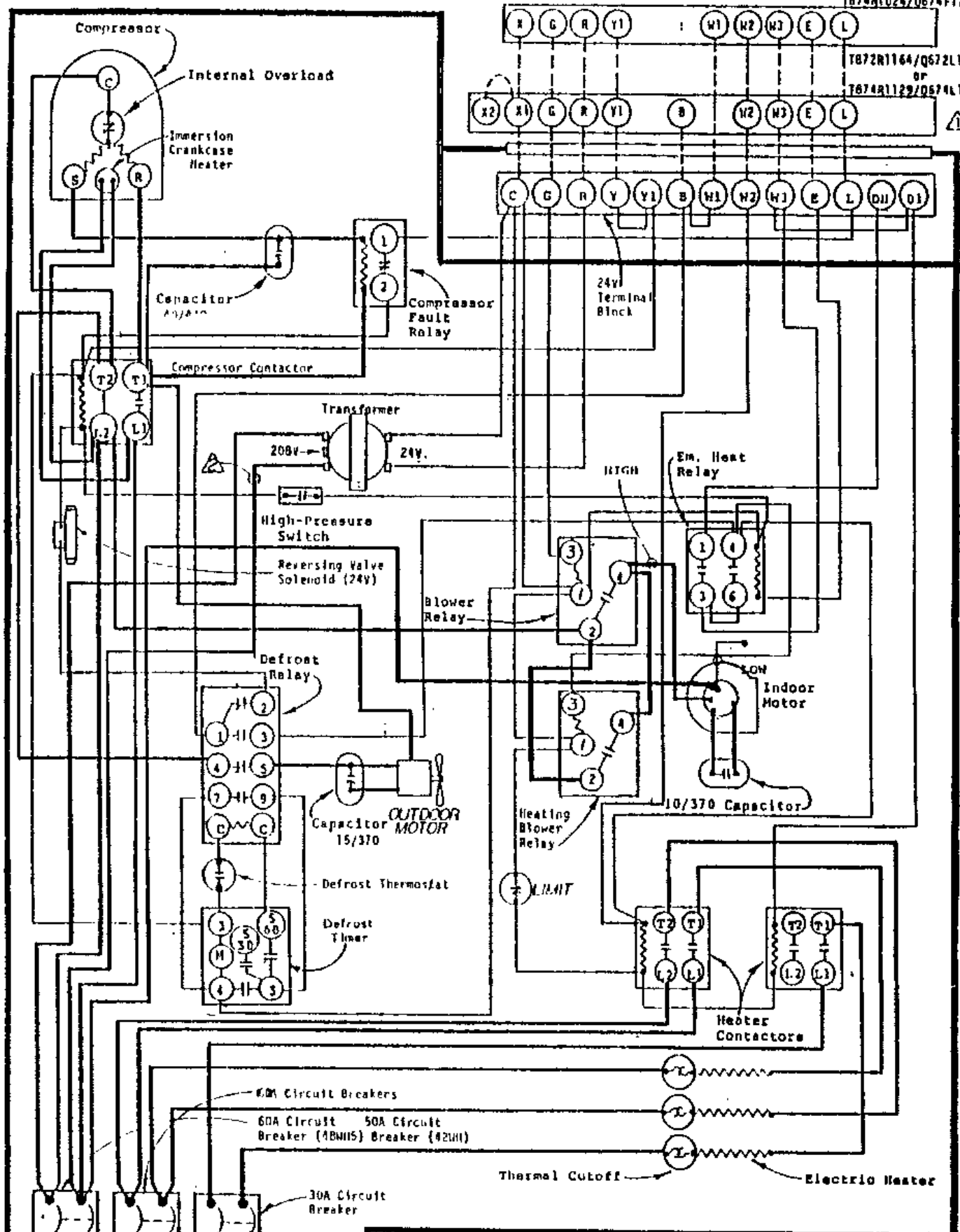
- ⚠ If there is an X1 and X2 terminal on Q674L1181, jumper them together and connect from C to either one
- ⚠ For 208V operation move this wire to 208V transformer tap

230/208-60-1

4274 MOP

T872H1036/Q67271299
 OR
 T874H1024/Q674F1261

T872R1164/Q672L1185
 OR
 T874R1129/Q674L1181



USE COPPER OR ALUMINUM WIRE

	FACTORY WIRING	FIELD WIRING
Low Voltage	—————	-----
High Voltage	—————	-----

MODEL 4200334015 HEAT PUMP 15 Kw

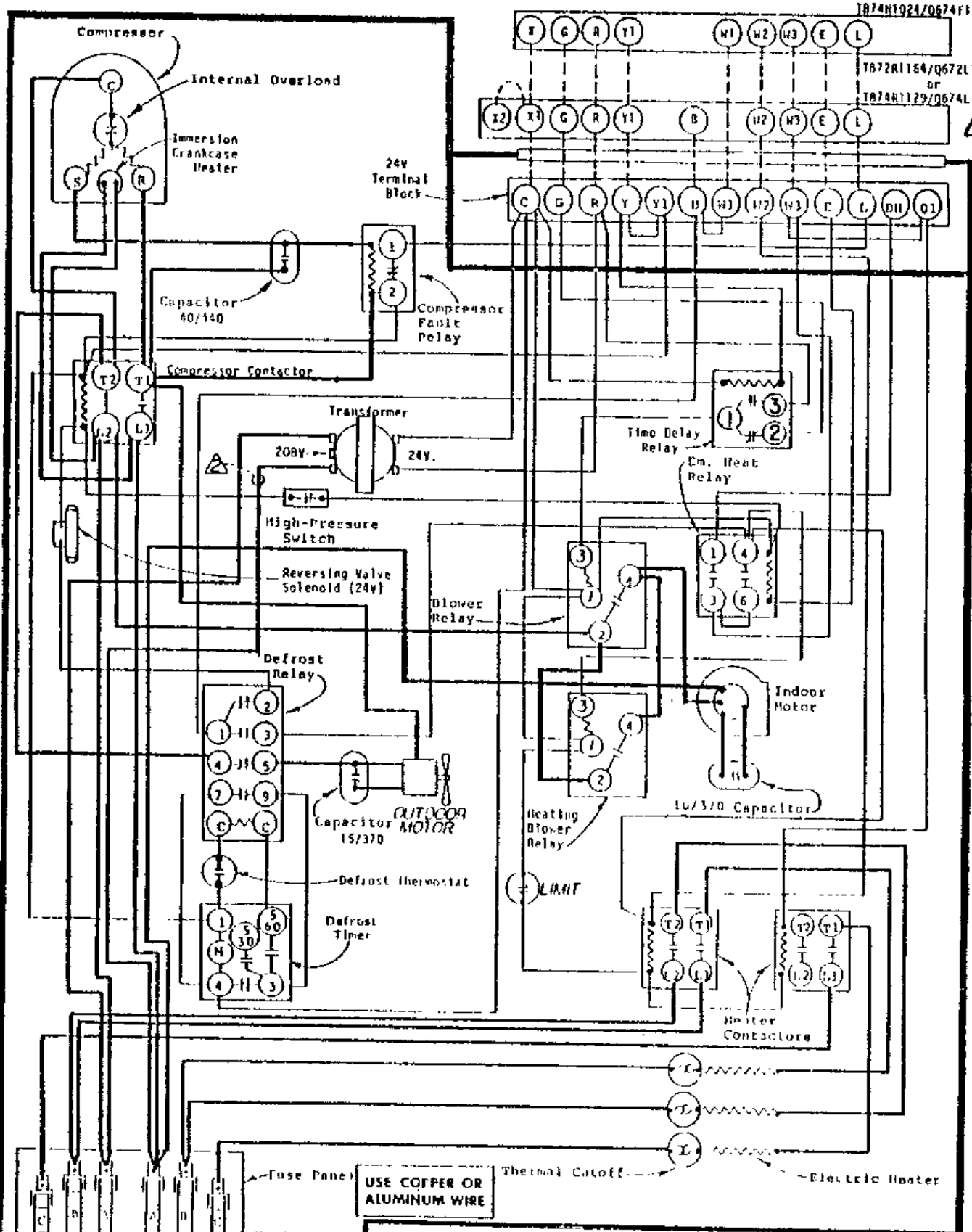
⚠ If there is an X1 and X2 terminal on Q672L1185, jumper them together and connect from C to either one.

⚠ For 208V operation move this wire to 208V transformer tap

230/208-60-1

4014-141 C

1B72H1036/0672F1299
 or
 1B74H1024/0674F1261
 1B72R1164/0672L1185
 or
 1B74R1129/0674L1181



USE COPPER OR ALUMINUM WIRE

Fuse A - 50A T.D. 420H
 60A T.D. 48WH5
 Fuse B - 60A Standard
 Fuse C - 30A Standard
 All fuses class KS

FACTORY WIRING	FIELD WIRING
Low Voltage	---
High Voltage	---

MODEL
 420L48WH5
 HEAT PUMP
 15 Kw

⚠ If there is an X1 and X2 terminal on 0674L1191, jumper them together and connect from C to either one
 ⚠ for 208V operation move this wire to 208V transformer tap

230/208-60-1

4014-112A

TB72R1036/0672r1293
 or
 TB74H1024/0674F1261

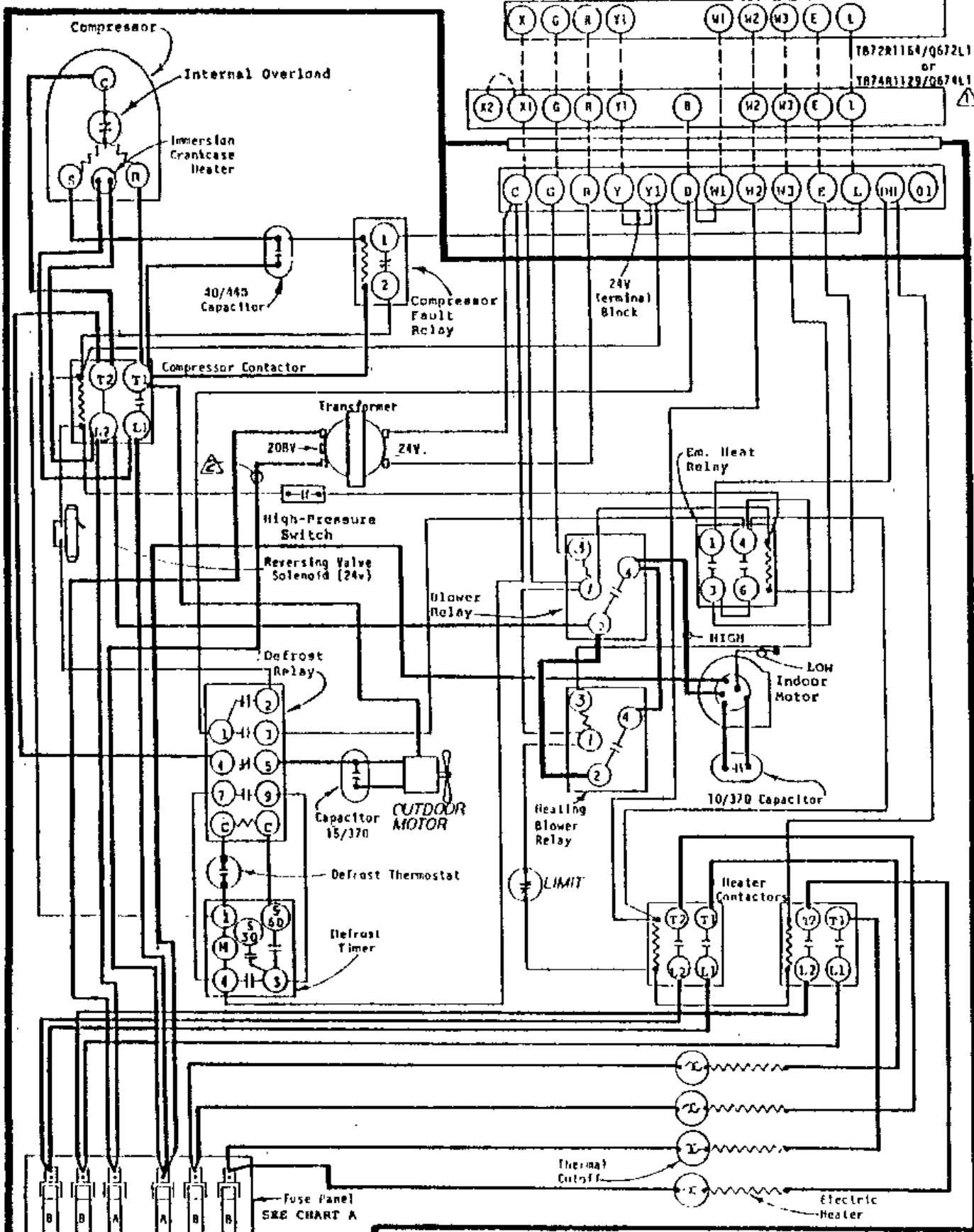


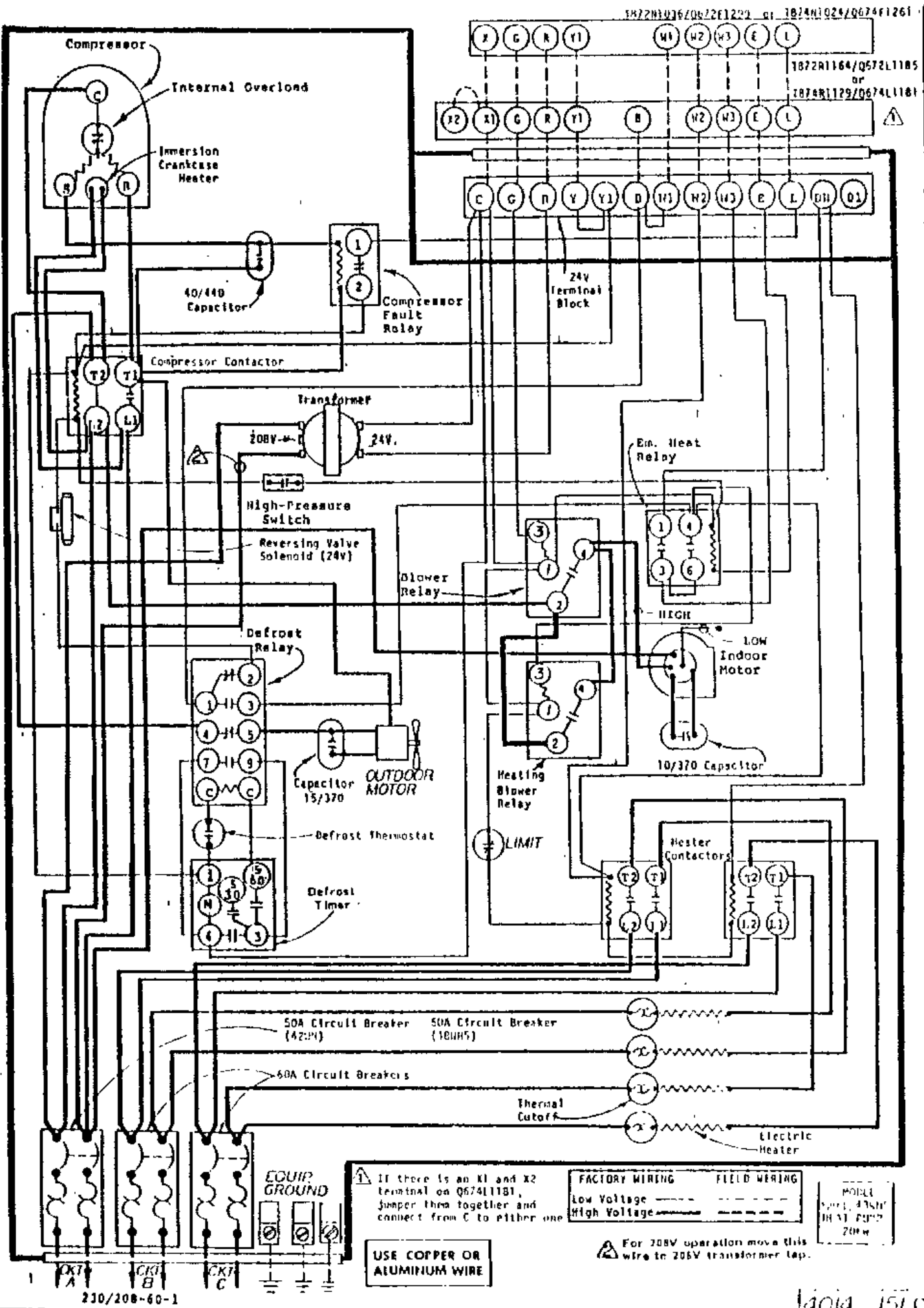
CHART A 42VW1 48WHS 150A 10 1/2 A TL 160A STANDARD ALL FUSES CLASS RS		FACTORY WIRING Low Voltage --- High Voltage ---	FIELD WIRING --- ---
--	--	--	-----------------------------------

If there is an X1 and X2 terminal, For 208V operation move this wire to 208V transformer tap and connect from C to either one.

USE COPPER OR ALUMINUM WIRE

MODEL 42UH, 48WHS HEAT PUMP 20 Fw

230/208-60-1



⚠ If there is an X1 and X2 terminal on Q674L1181, jumper them together and connect from C to either one

FACTORY WIRING	FIELD WIRING
Low Voltage	-----
High Voltage	-----

MODEL
SPECS. 4350P
HEAT PUMP
200w

USE COPPER OR ALUMINIUM WIRE

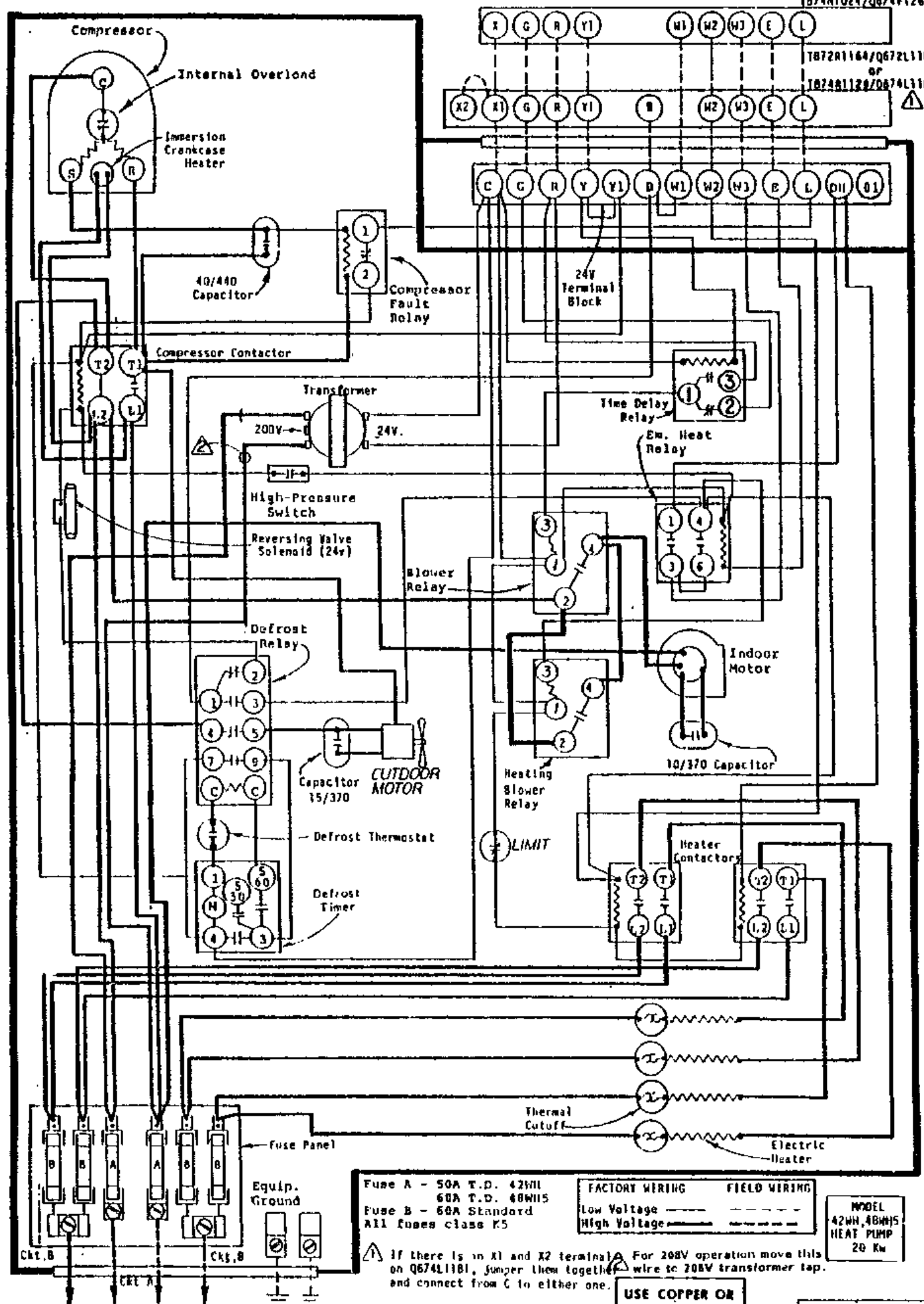
⚠ For 208V operation move this wire to 208V transformer tap.

230/208-60-1

14014 151c

167241038/Q672T1295
or
1874N1024/Q674F1261

1872R1164/Q672L1105
or
1874R1128/Q674L1101



Fuse A - 50A T.D. 42WH
60A T.D. 48WH5
Fuse B - 60A Standard
All fuses class K5

	FACTORY WIRING	FIELD WIRING
Low Voltage	_____	_____
High Voltage	_____	_____

MODEL
42WH, 48WH5
HEAT PUMP
20 Kw

⚠ If there is in X1 and X2 terminal ⚠ For 208V operation move this wire to 208V transformer tap. and connect from C to either one.

USE COPPER OR ALUMINUM WIRE

4014-152A

230/208-60-1