

CHART A		
42WA	49WA	60WA
35/440	40/440	45/440

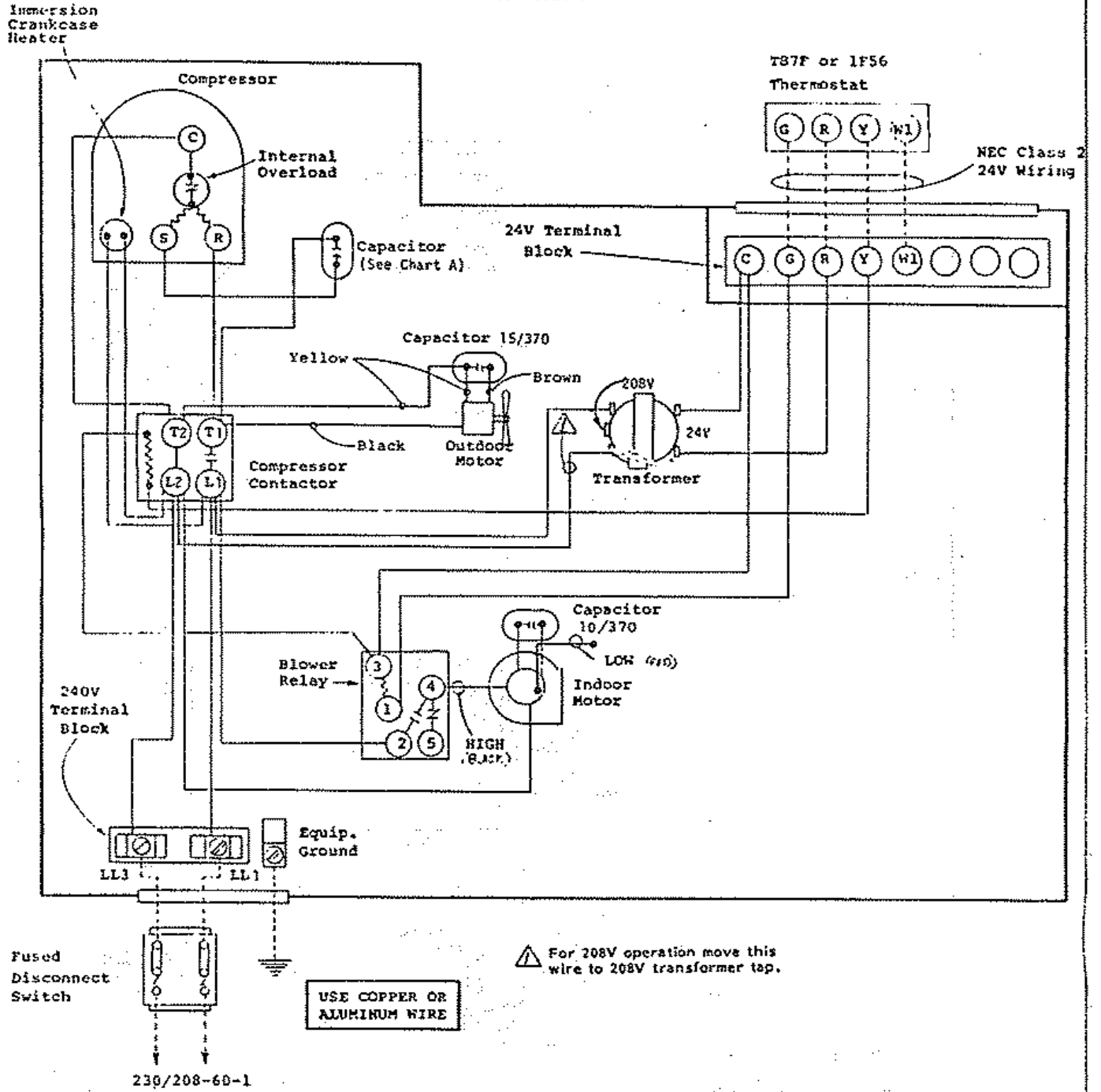
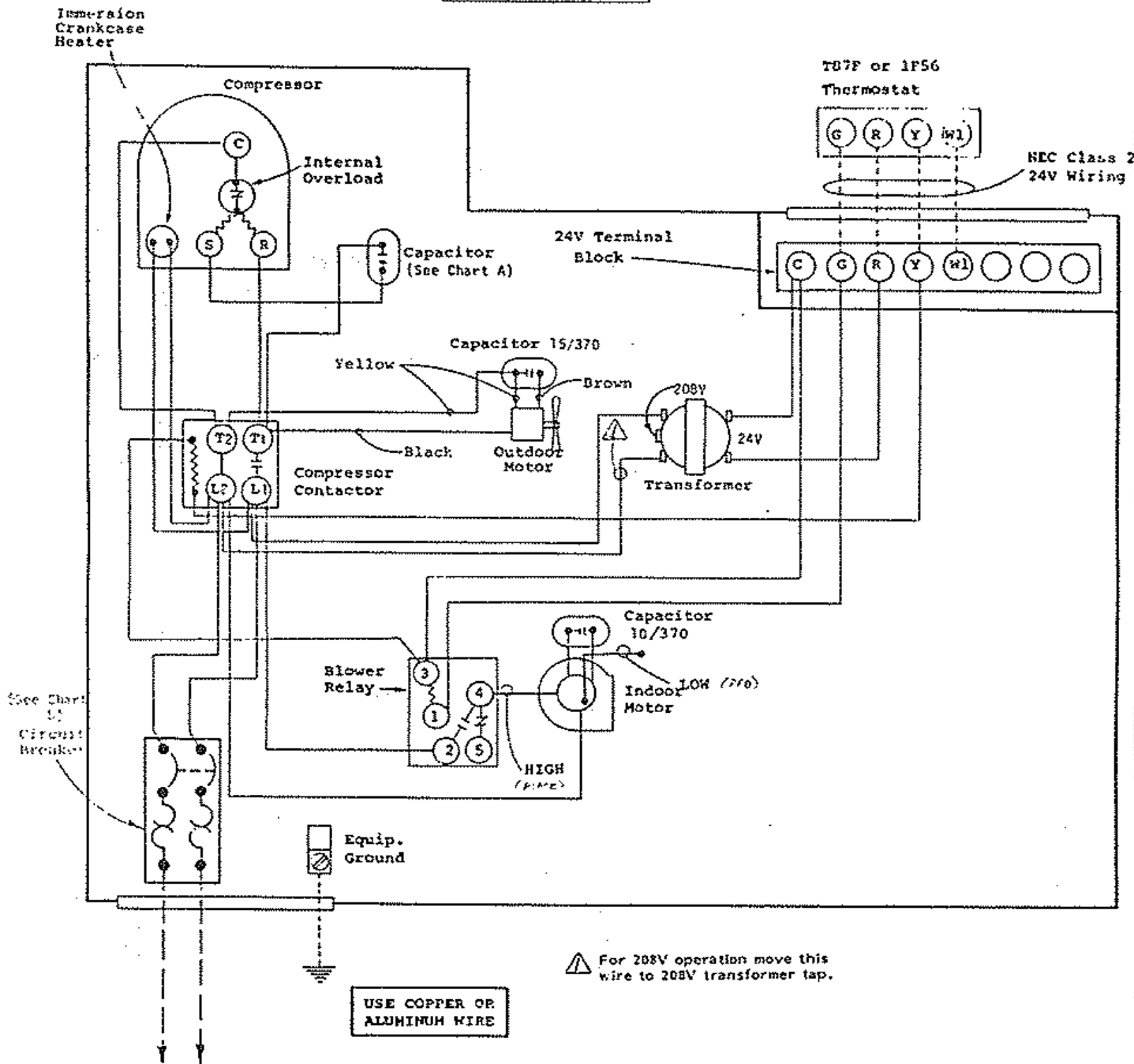


CHART A		
42WA	49WA	60WA
35/440	40/440	45/440



230/208-60-1

USE COPPER OR ALUMINUM WIRE

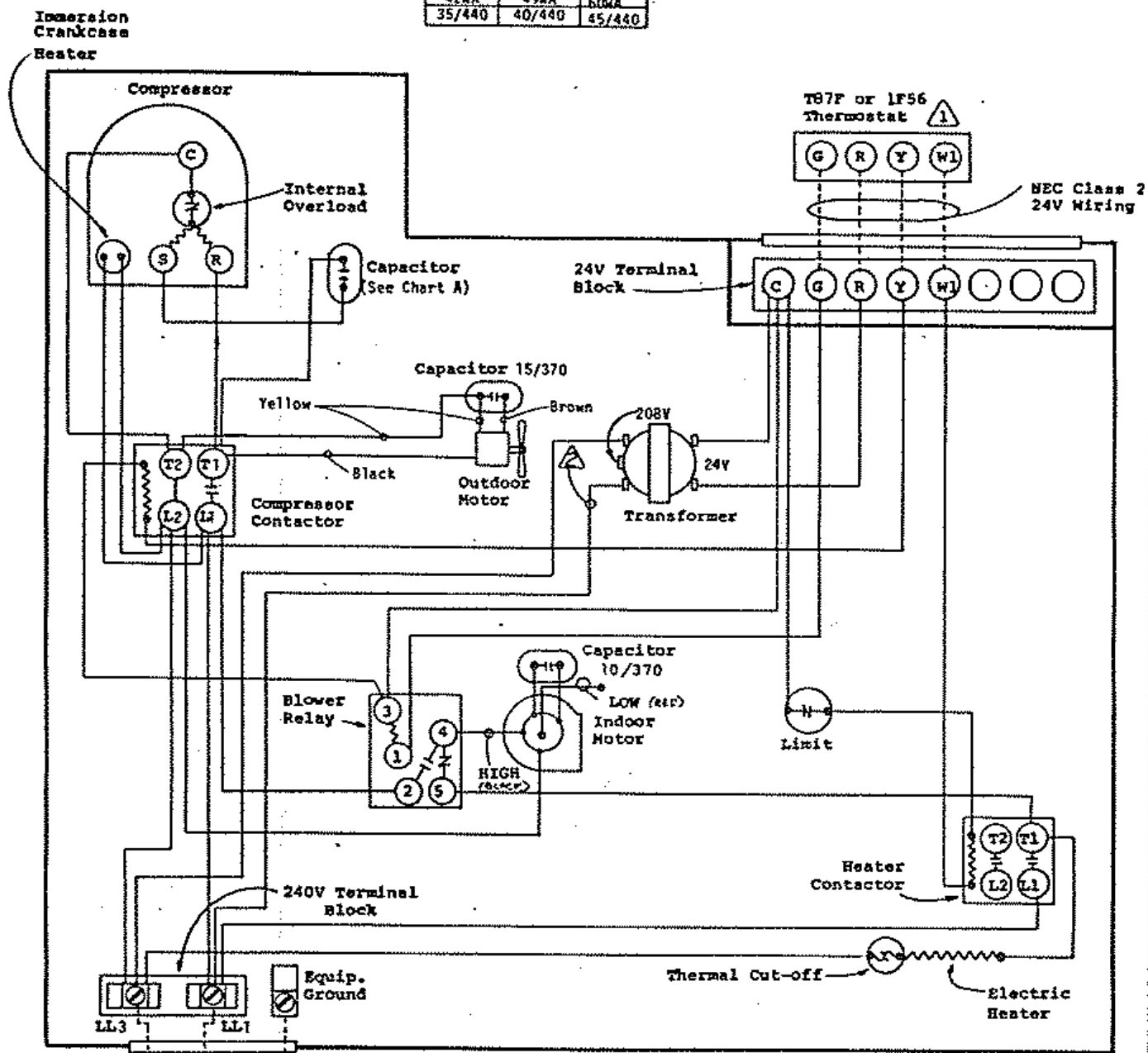
⚠ For 208V operation move this wire to 208V transformer tap.

Chart B		
42WA	49WA	60WA
50A	50A	50A

Factory Wiring _____
 Field Wiring - - - - -

4010-1111

CHART A		
42WA	49WA	60WA
35/440	40/440	45/440



- ⚠ Set heat anticipator at .40A.
- ⚠ For 208V operation move this wire to 208V transformer tap.

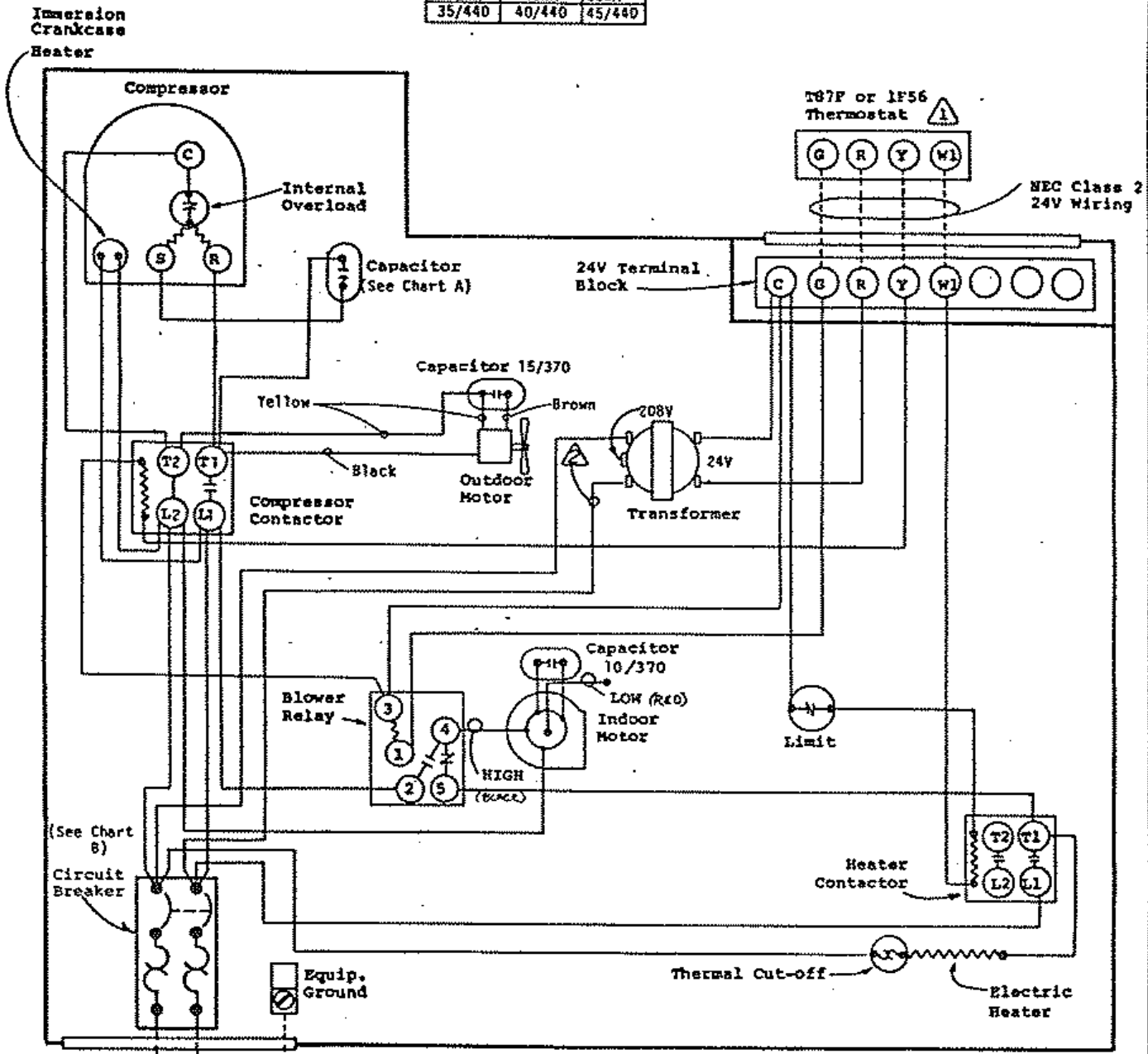
USE COPPER OR ALUMINUM WIRE

MODEL
42WA, 49WA 60WA
w/3KW

Factory Wiring ———
Field Wiring - - - - -

4010-120 K

CHART A		
42WA	49WA	60WA
35/440	40/440	45/440



- ⚠ Set heat anticipator at .40A.
- ⚠ For 208V operation move this wire to 208V transformer tap.

USE COPPER OR ALUMINUM WIRE

230/208-60-1

Chart B		
42WA	49WA	60WA
50A	50A	50A

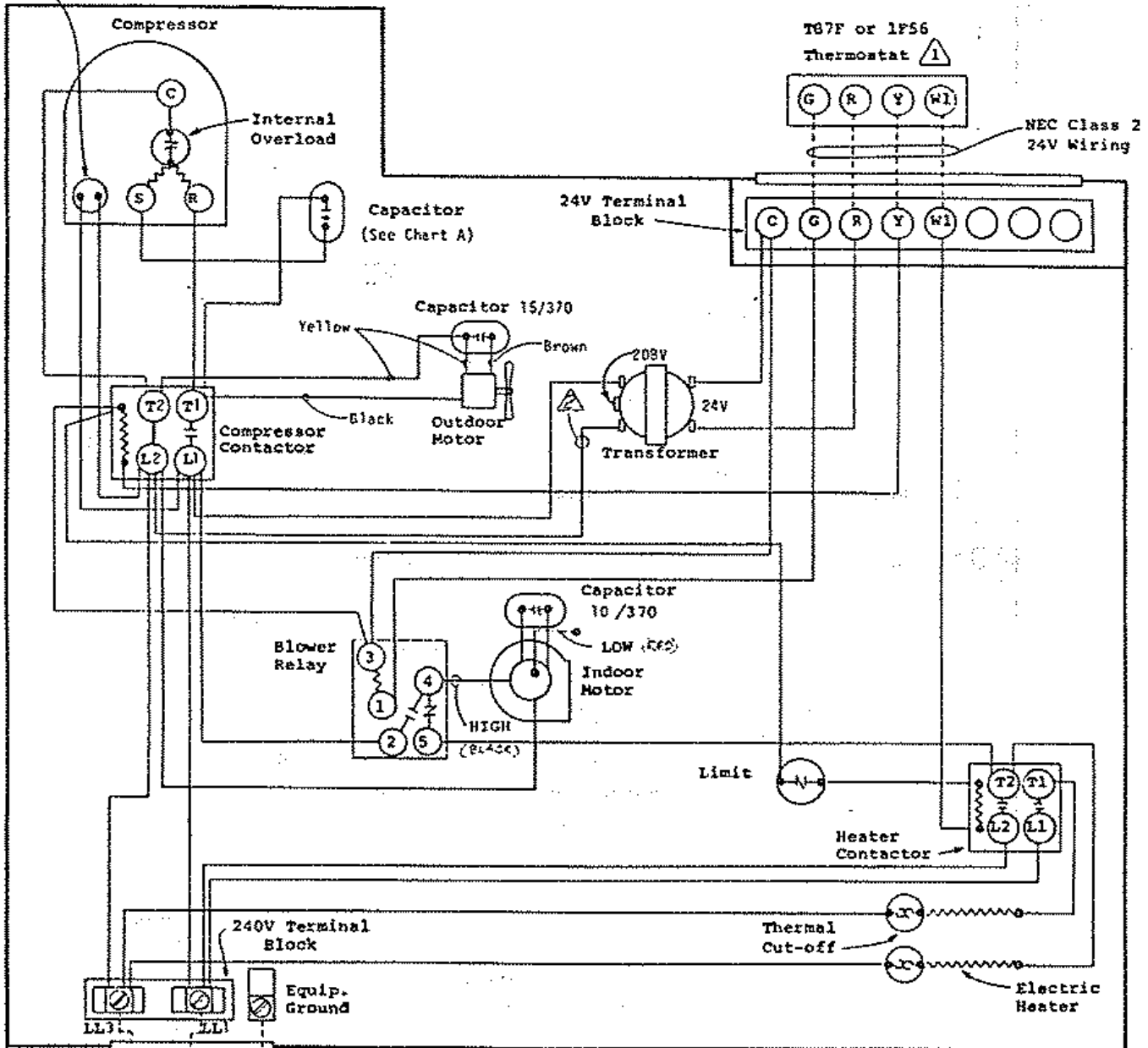
MODEL
42WA, 49WA, 60WA
w/3Rv

Factory Wiring ———
Field Wiring - - - - -

4010-121C

CHART A		
42WA	49WA	60WA
35/440	40/440	45/440

Imersion Crankcase Heater



- ⚠ Set heat anticipator at .40A.
- ⚠ For 208V operation move this wire to 208V transformer tap.

Fused Disconnect Switch

230/208-60-1

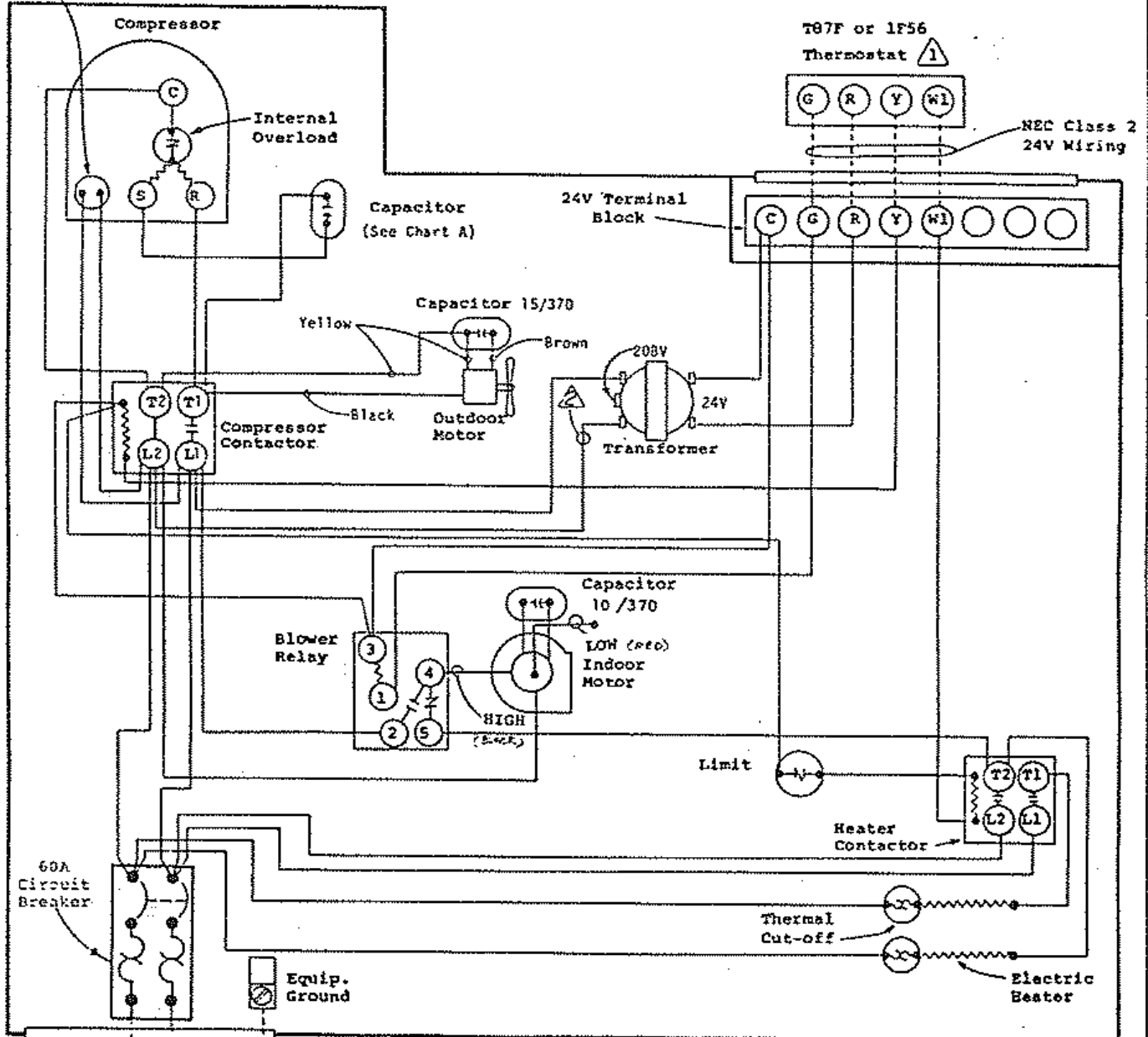
USE COPPER OR ALUMINUM WIRE

Factory Wiring _____
Field Wiring - - - - -

4010-130 N

CHART A		
42WA	49WA	60WA
35/440	40/440	55/440

Immersion
Crankcase
Heater



- ⚠ Set heat anticipator at .40A.
- ⚠ For 208V operation move this wire to 208V transformer tap.

USE COPPER OR
ALUMINUM WIRE

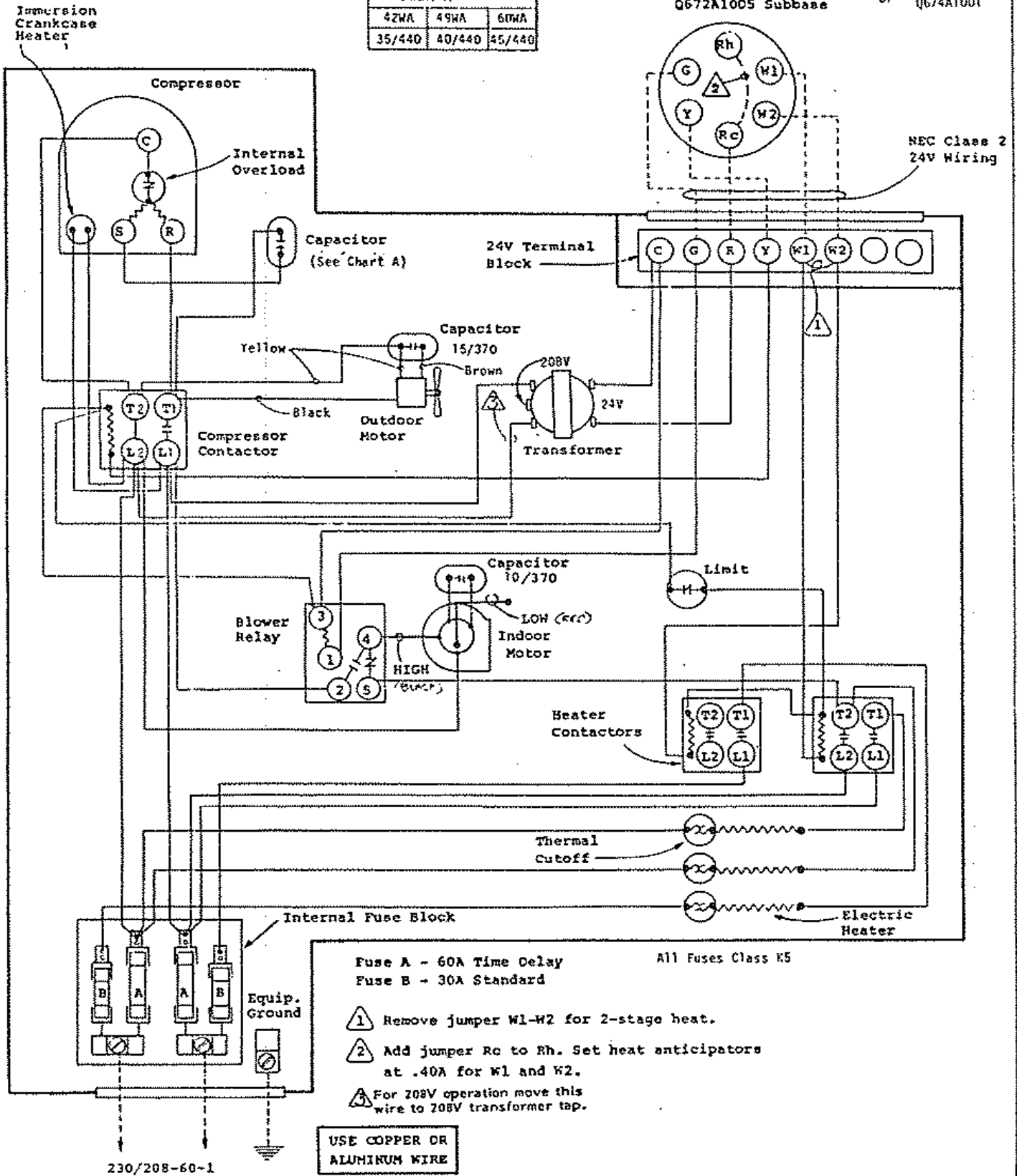
230/208-60-1

Factory Wiring ———
Field Wiring - - - - -

4010-131 D

CHART A		
42WA	49WA	60WA
35/440	40/440	45/440

T872C1004 Thermostat or T874C1000
Q672A1005 Subbase or Q674A1001



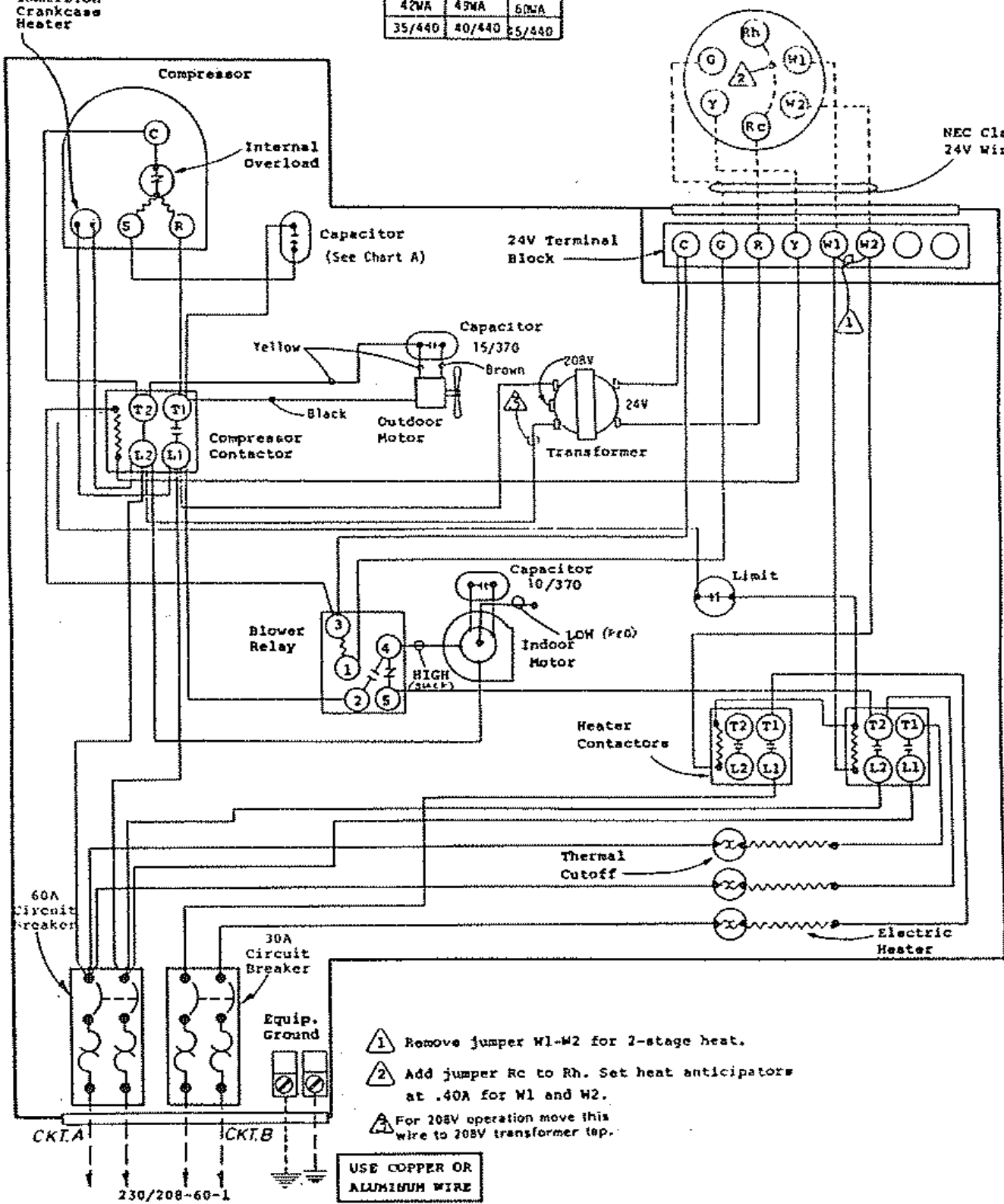
Factory Wiring _____
Field Wiring - - - - -

4010440 M

Immersion Crankcase Heater

CHART A		
42WA	43WA	50WA
35/440	40/440	45/440

T872C1004 Thermostat or T874C1009
Q672A1005 Subbase or Q674A1001



- 1 Remove jumper W1-W2 for 2-stage heat.
- 2 Add jumper Rc to Rh. Set heat anticipators at .40A for W1 and W2.
- 3 For 208V operation move this wire to 208V transformer top.

USE COPPER OR ALUMINUM WIRE

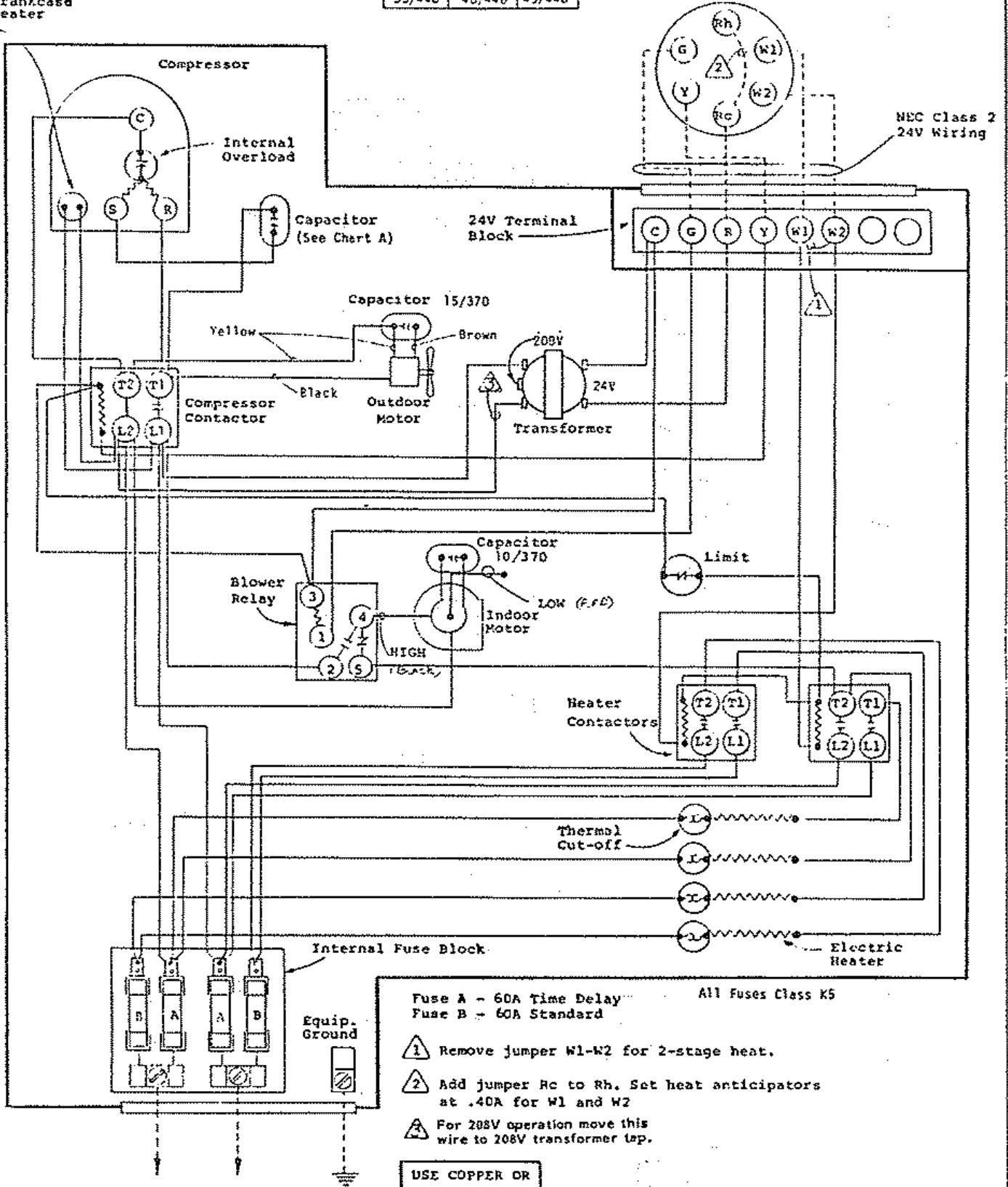
Factory Wiring ———
Field Wiring - - - - -

4C10-1410

Immersion
Crankcase
Heater

CHART A		
42WA	49WA	63WA
35/440	40/440	45/440

T872C1004 Thermostat or T874C1000
 0672A1005 Subbase or 0674A1001



230/208-60-1

Fuse A - 60A Time Delay
 Fuse B - 60A Standard
 All Fuses Class K5

- 1 Remove jumper W1-W2 for 2-stage heat.
- 2 Add jumper Rc to Rh. Set heat anticipators at .40A for W1 and W2
- 3 For 208V operation move this wire to 208V transformer top.

USE COPPER OR
 ALUMINUM WIRE

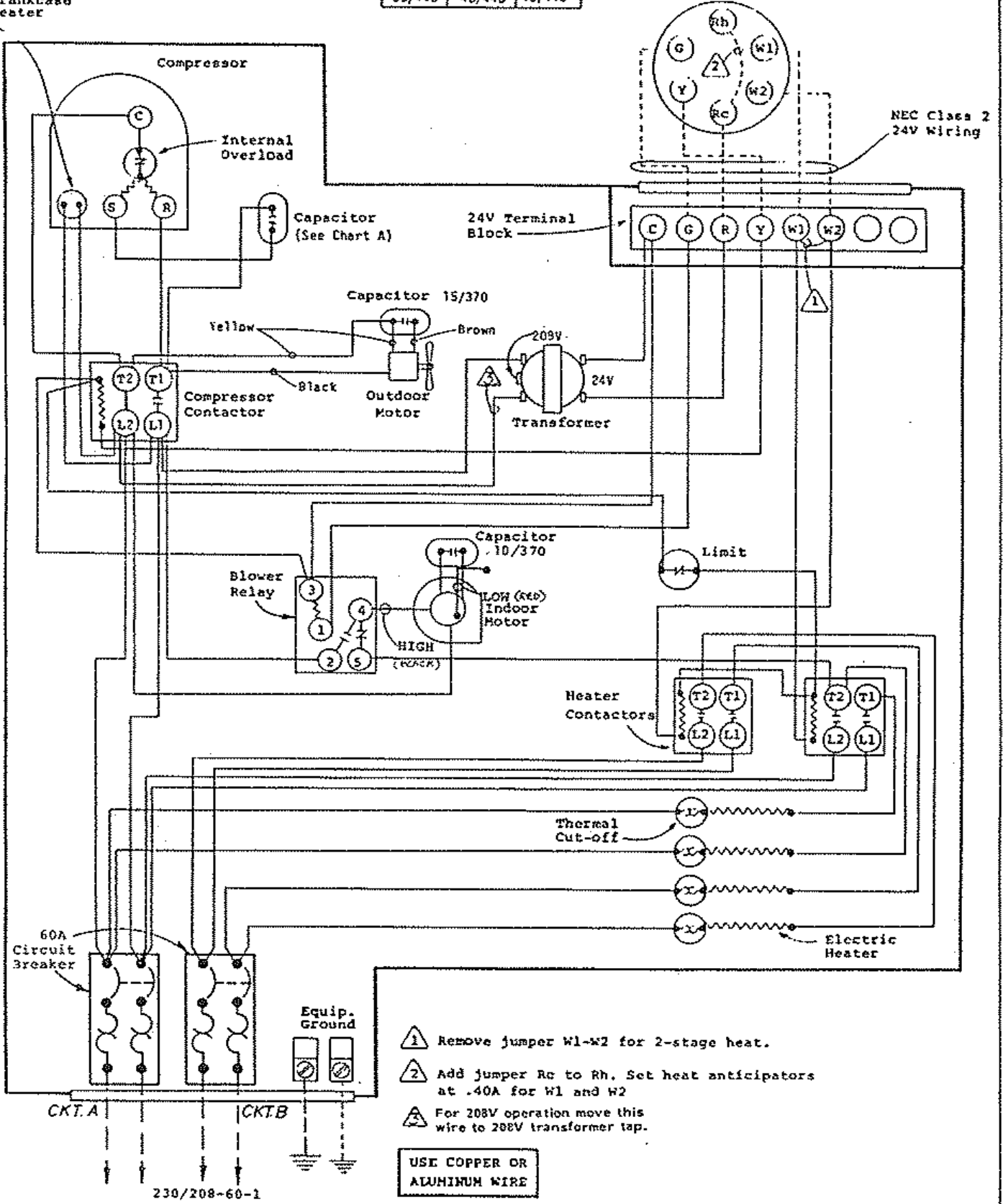
Factory Wiring ———
 Field Wiring - - - - -

4010-150 ~

CHART A		
42WA	49WA	60WA
35/440	40/440	45/440

T872C1004 Thermostat or T874C1000
 Q672A1005 Subbase or Q674A1001

Immersion
 Crankcase
 Heater



- ⚠ Remove jumper W1-W2 for 2-stage heat.
- ⚠ Add jumper Rc to Rh. Set heat anticipators at .40A for W1 and W2
- ⚠ For 208V operation move this wire to 208V transformer tap.

USE COPPER OR ALUMINUM WIRE

Factory Wiring ———
 Field Wiring - - - - -

4010-151D