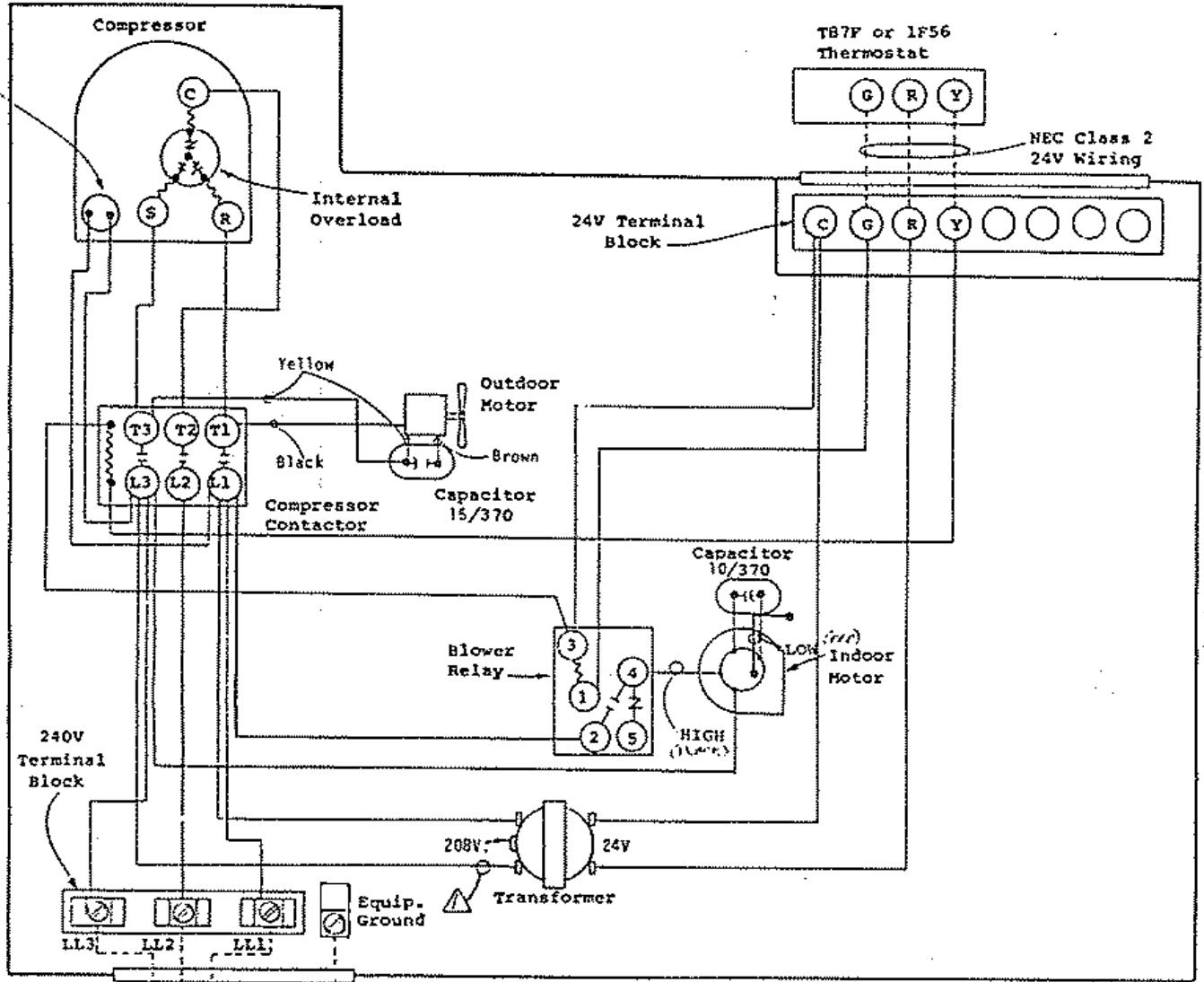


Immersion
Crankcase
Heater



Fused
Disconnect
Switch

230/208-60-3

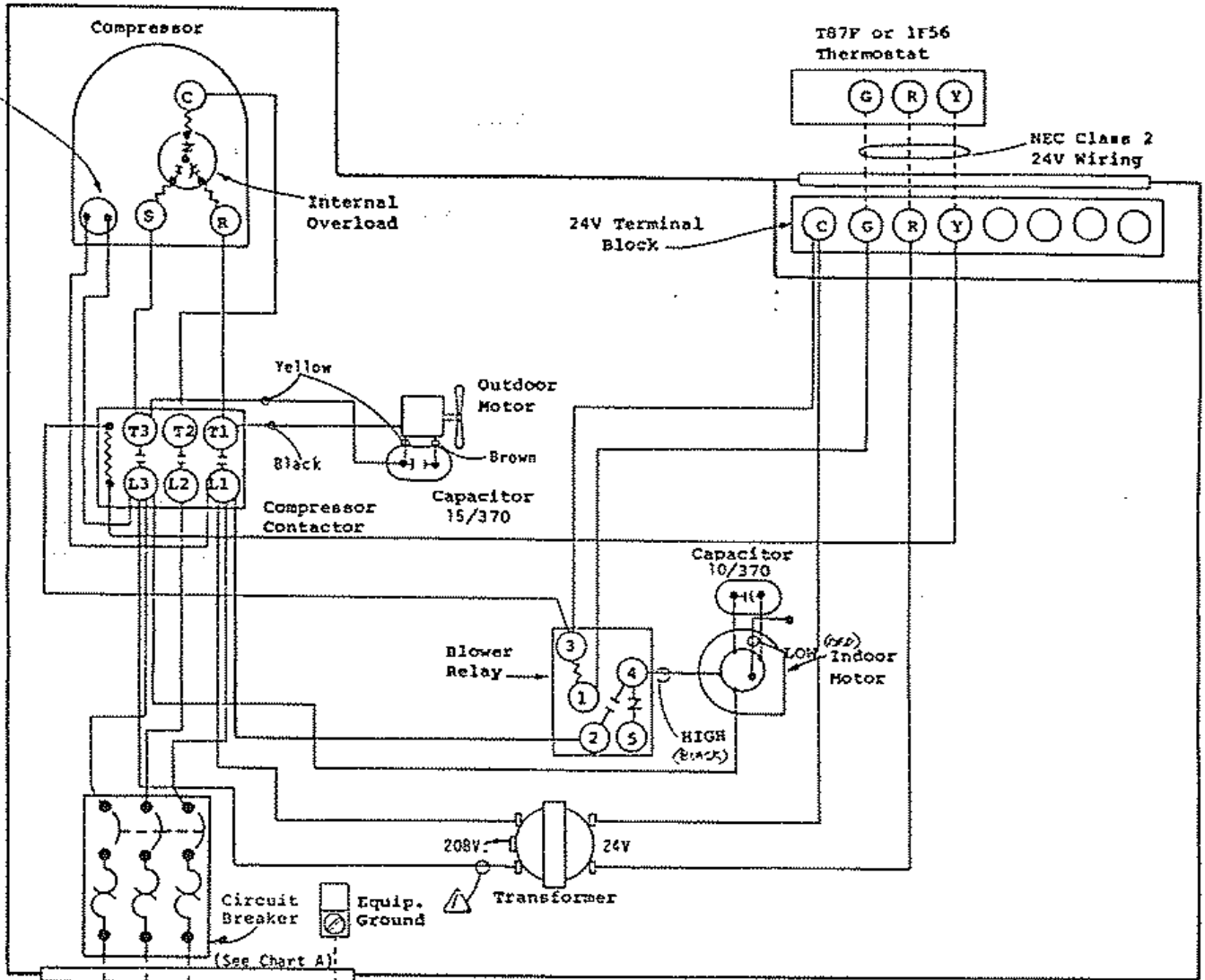
USE COPPER OR
ALUMINUM WIRE

Factory Wiring ———
Field Wiring - - - - -

⚠ For 208V operation move this
wire to 208V transformer tap.

4010-210 ↓

Immersion
Crankcase
Heater



Factory Wiring ———
Field Wiring - - - - -

⚠ For 208V operation move this wire to 208V transformer tap.

USE COPPER OR ALUMINUM WIRE

230/208-60-3

Chart A		
42WA	48WA	60WA
35A	25A	45A

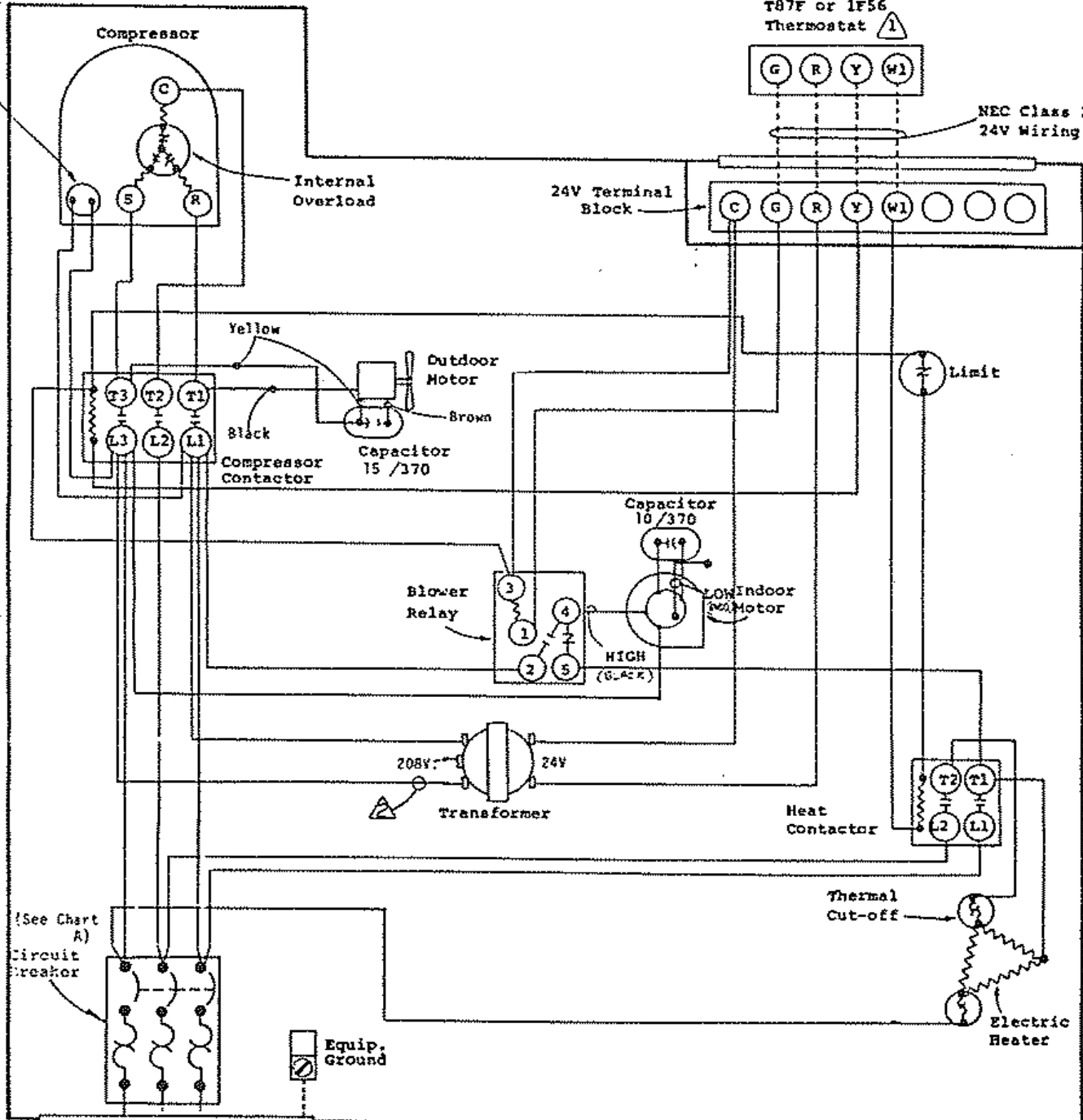
4010-211D

Immersion
Crankcase
Heater

T87F or 1F56
Thermostat Δ



NEC Class 2
24V Wiring



(See Chart
A)
Circuit
Breaker

Equip.
Ground

- Δ Set heat anticipator at .40A.
- Δ For 208V operation move this wire to 208V transformer tap.

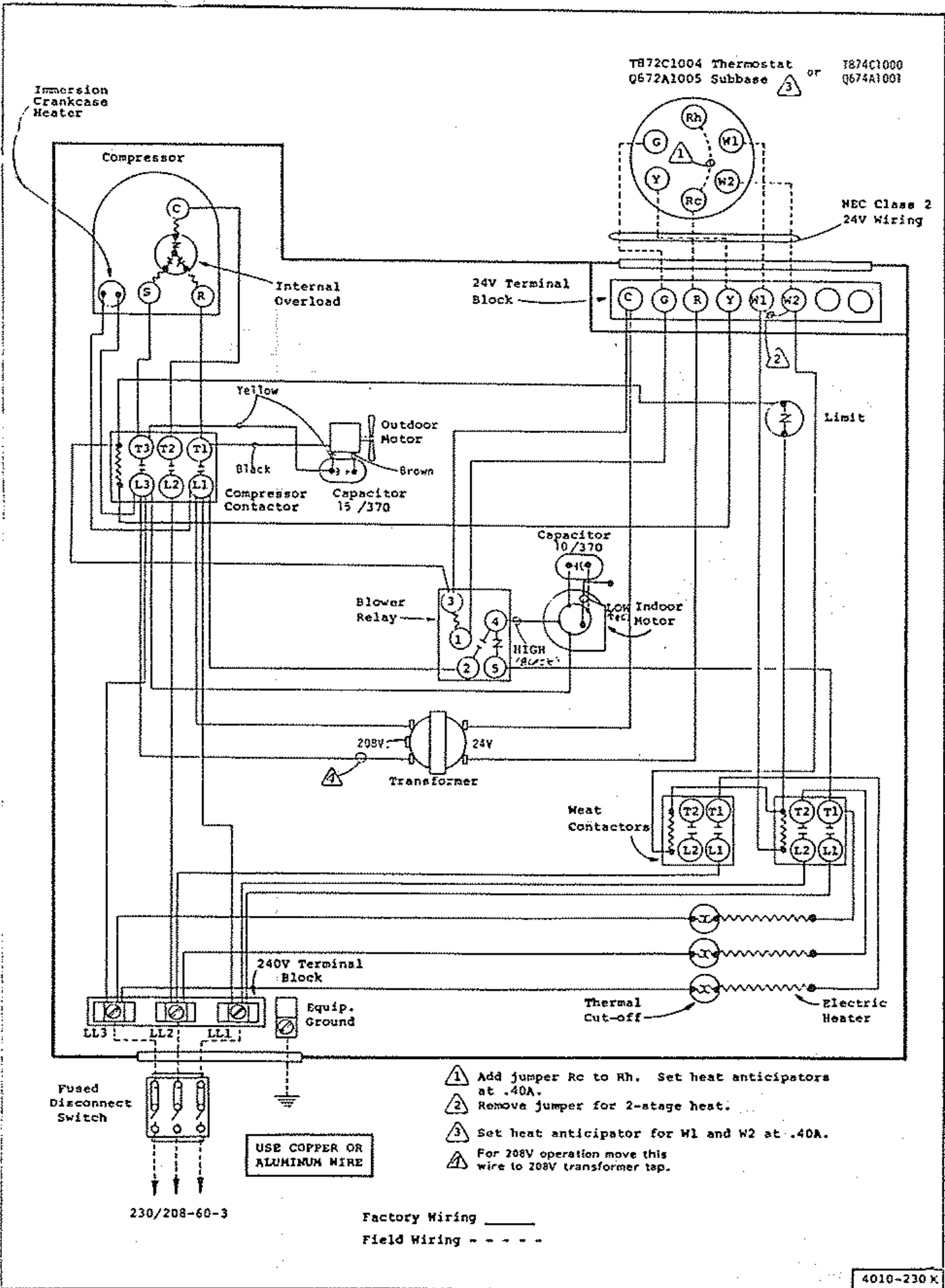
USE COPPER OR
ALUMINUM WIRE

230/208-60-3

Chart A		
42WA	40WA	60WA
35A	35A	45A

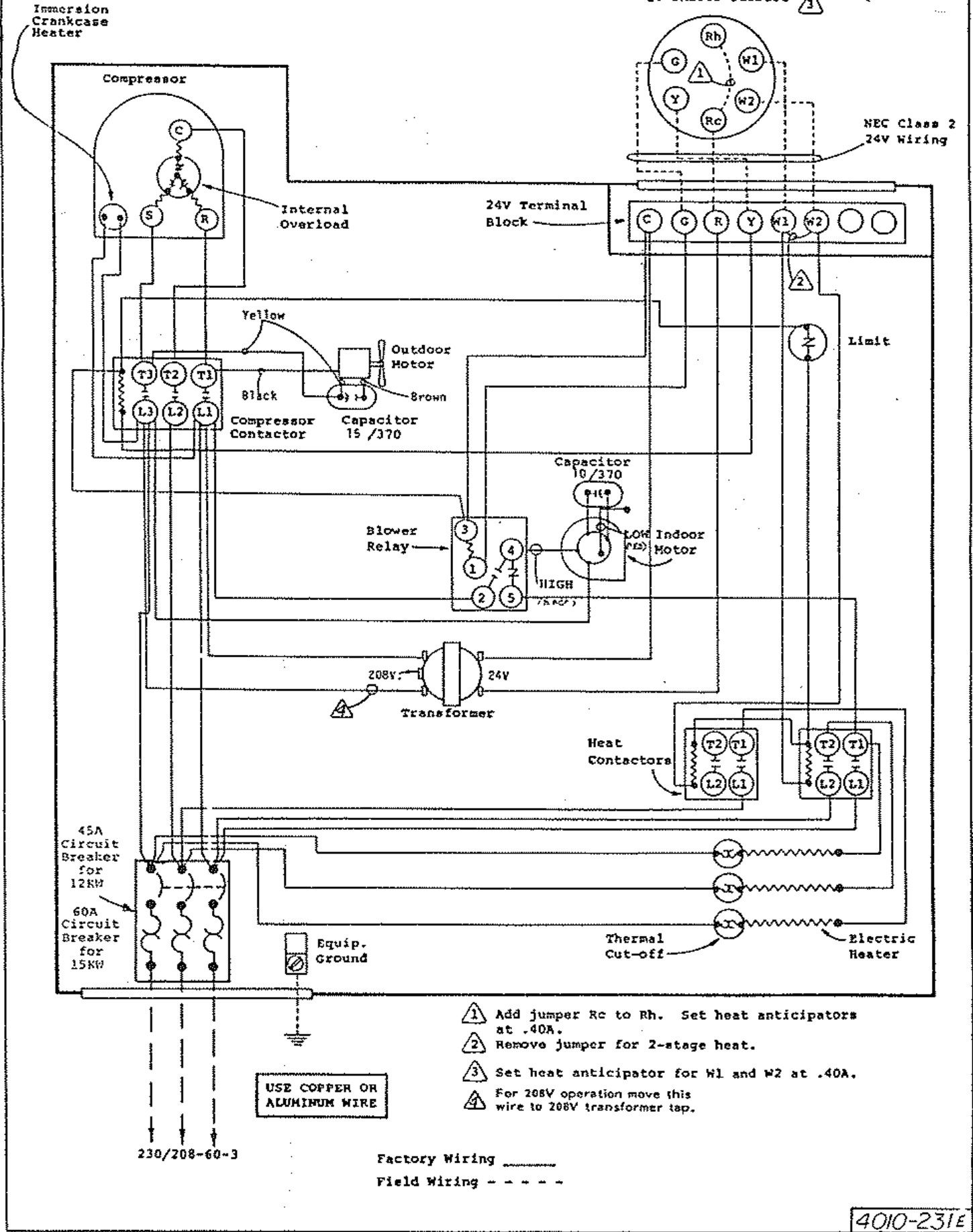
Factory Wiring _____
Field Wiring - - - - -

4010-221 D



- ⚠ Add jumper Rc to Rh. Set heat anticipators at .40A.
- ⚠ Remove jumper for 2-stage heat.
- ⚠ Set heat anticipator for W1 and W2 at .40A.
- ⚠ For 208V operation move this wire to 208V transformer tap.

T872C1004 Thermostat or T874C1000
 Q672A1005 Subbase Δ 3 or Q674A1001



Immersion
Crankcase
Heater

T872C1004 Thermostat
or
Q672A1005 Subbase

NEC Class 2
24V Wiring

24V Terminal
Block

Limit

Outdoor
Motor

Black
Compressor
Contactor

Yellow

Capacitor
15/370

Blower
Relay

Capacitor
10/370

Indoor
Motor

208V 24V
Transformer

Heat
Contactor

Thermal
Cut-off

240V Terminal
Block

Equip.
Ground

Electric
Heater

Fused
Disconnect
Switch

230/208-60-3

USE COPPER OR
ALUMINUM WIRE

Factory Wiring ———
Field Wiring - - - -

- 1 Add jumper Rc to Rh. Set heat anticipators at .40A for W1 and W2.
- 2 Remove jumper W1-W2 for 2-stage heat.
- 3 For 208V operation move this wire to 208V transformer tap.

4010-240 K

