

Compressor

Thermostat Subbase

Internal Overload

Immersion Crankcase Heater

NCC Class 2 24V Wiring

15/370 Capacitor

Outdoor Motor

24V Transformer

24V Terminal Board

Compressor Contactor

HIGH (Black)

Blower Relay

LOW (Red) Indoor Motor

Limit

10/370 Capacitor

Heater Contactor

Thermal Cut-offs

Electric Heater

460v Terminal Block

Equip. Ground

LL3 LL2 LL1

Fused Disconnect Switch

460-60-3

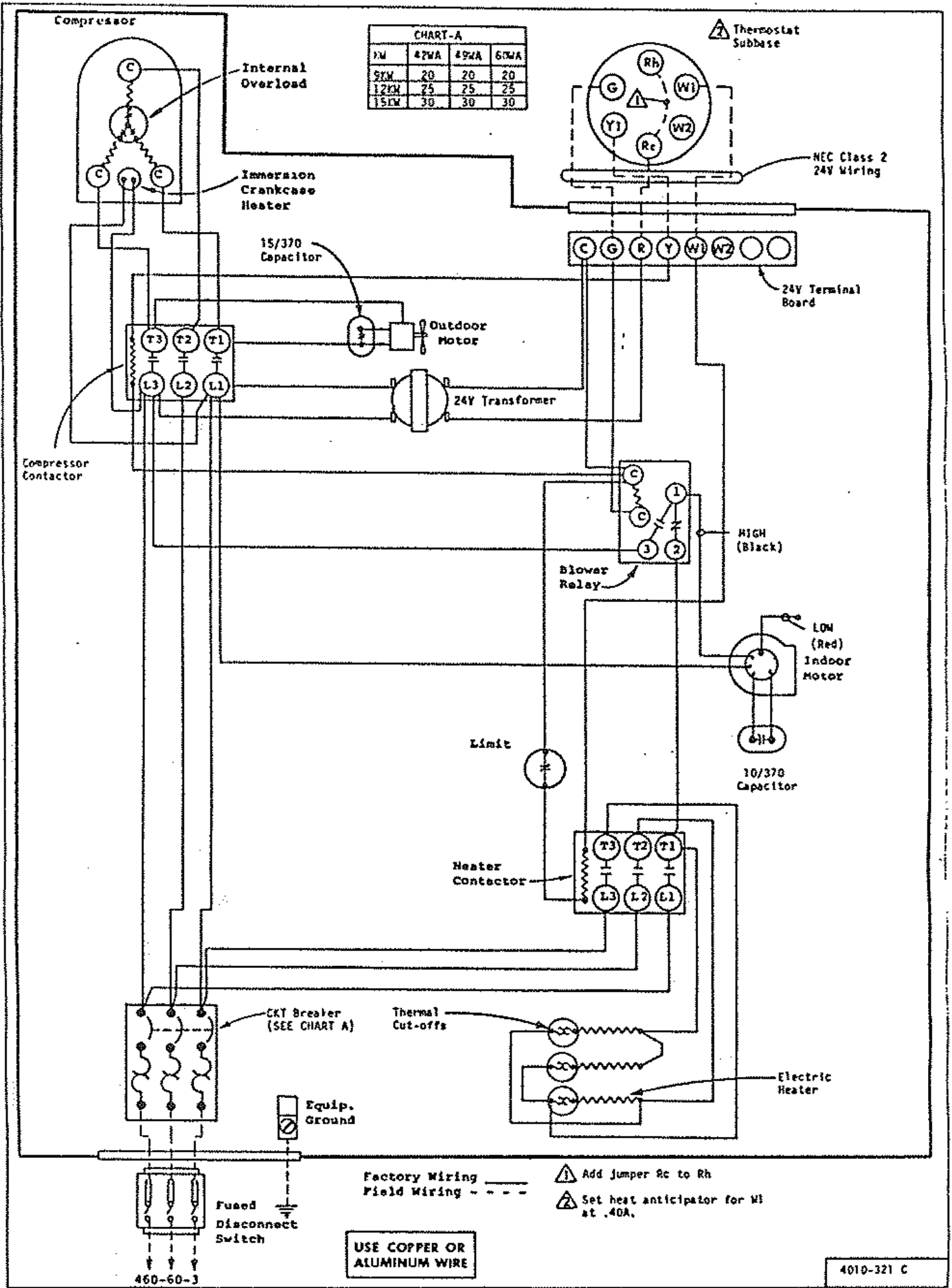
Factory Wiring - - - -  
Field Wiring - - - -

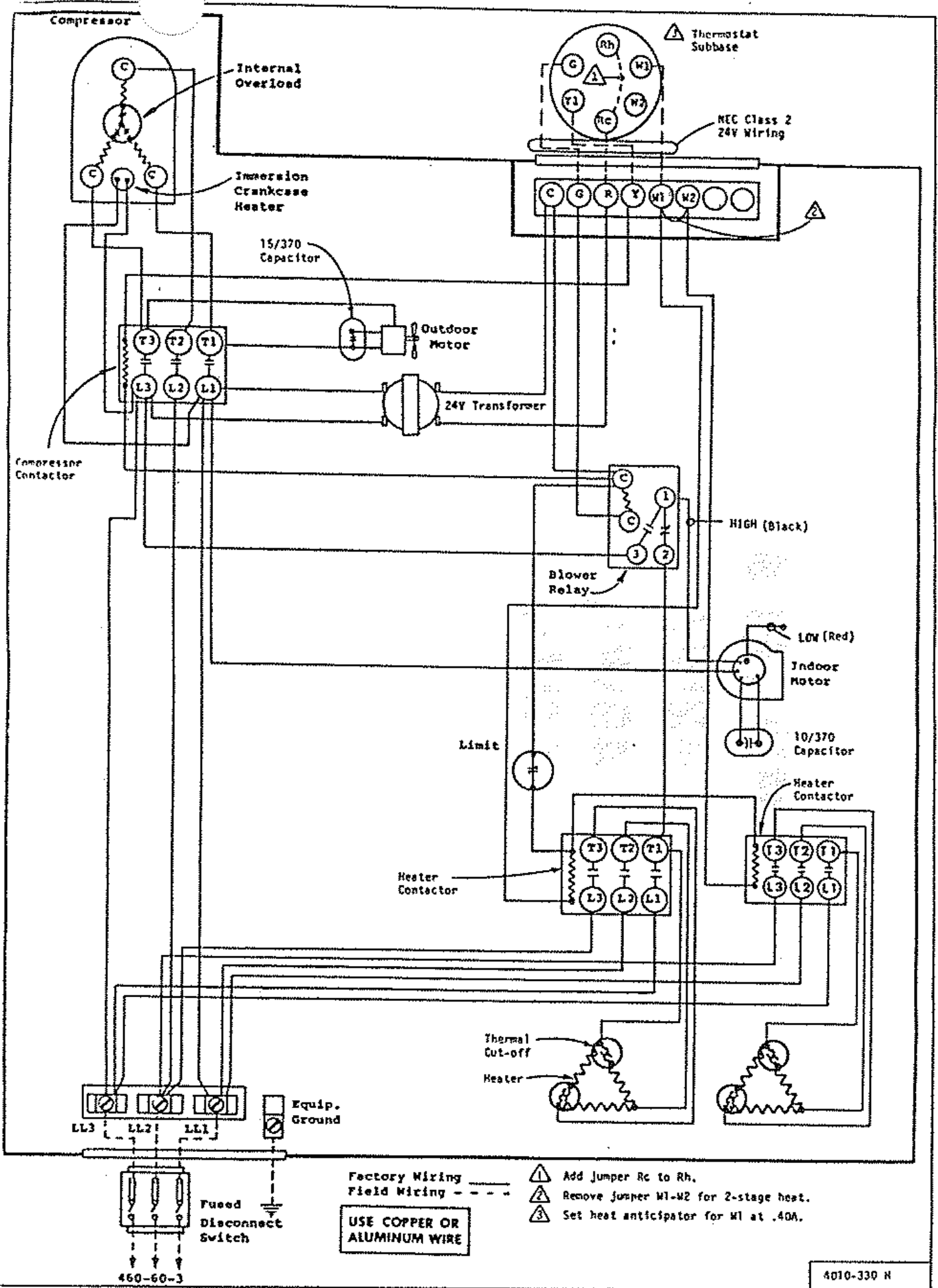
⚠ Add jumper Rc to Rh

⚠ Set heat anticipator for W1 at .40A.

**USE COPPER OR ALUMINUM WIRE**

4010-320 X





Factory Wiring ———  
 Field Wiring - - - -  
**USE COPPER OR ALUMINUM WIRE**

