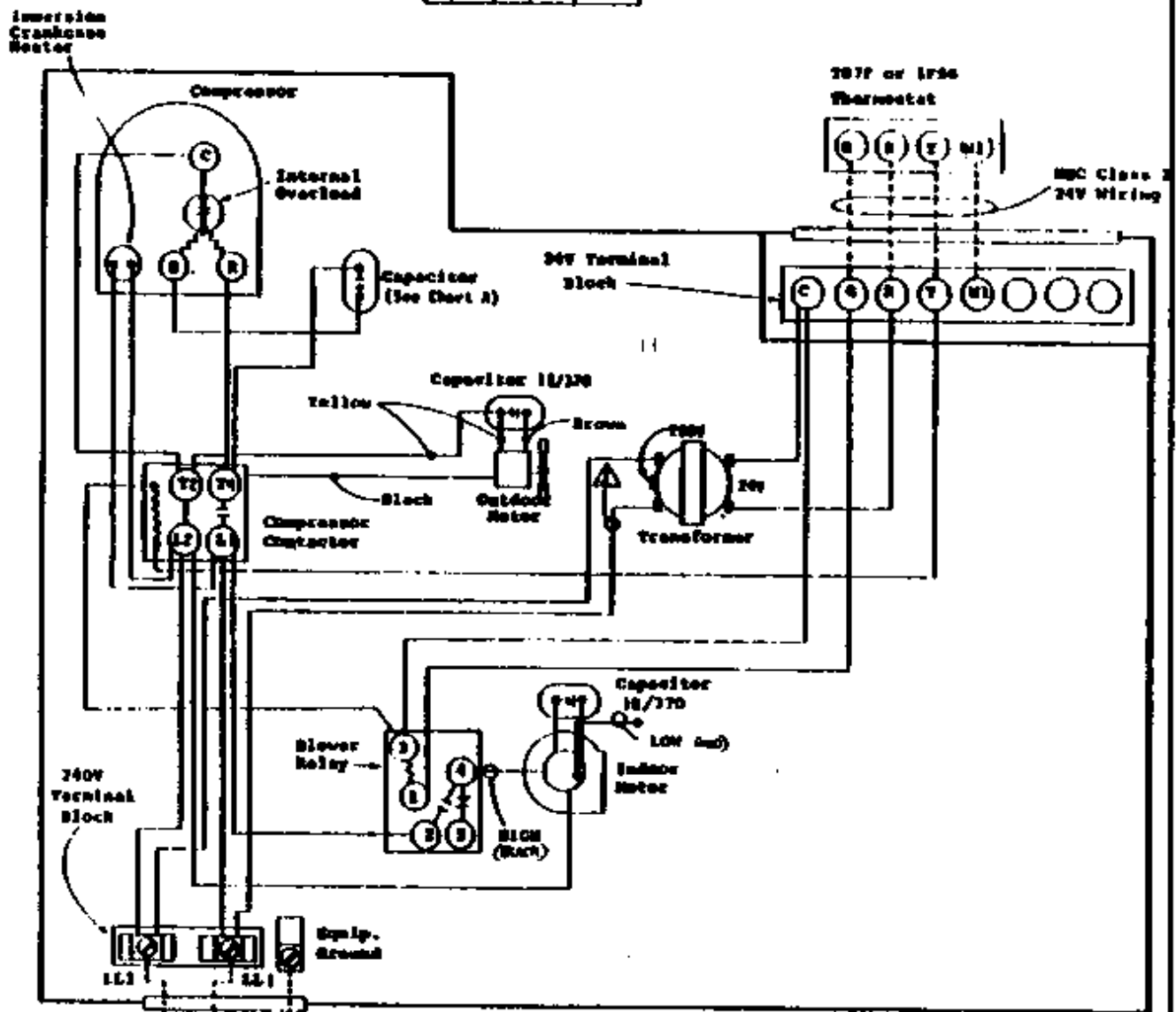


| PART | | |
|--------|--------|--------|
| 252 | 254 | 255 |
| 31/440 | 49/440 | 41/440 |



240V Disconnect Switch

210/200-60-1

SEE COVER OR ALTERNATE WIRE

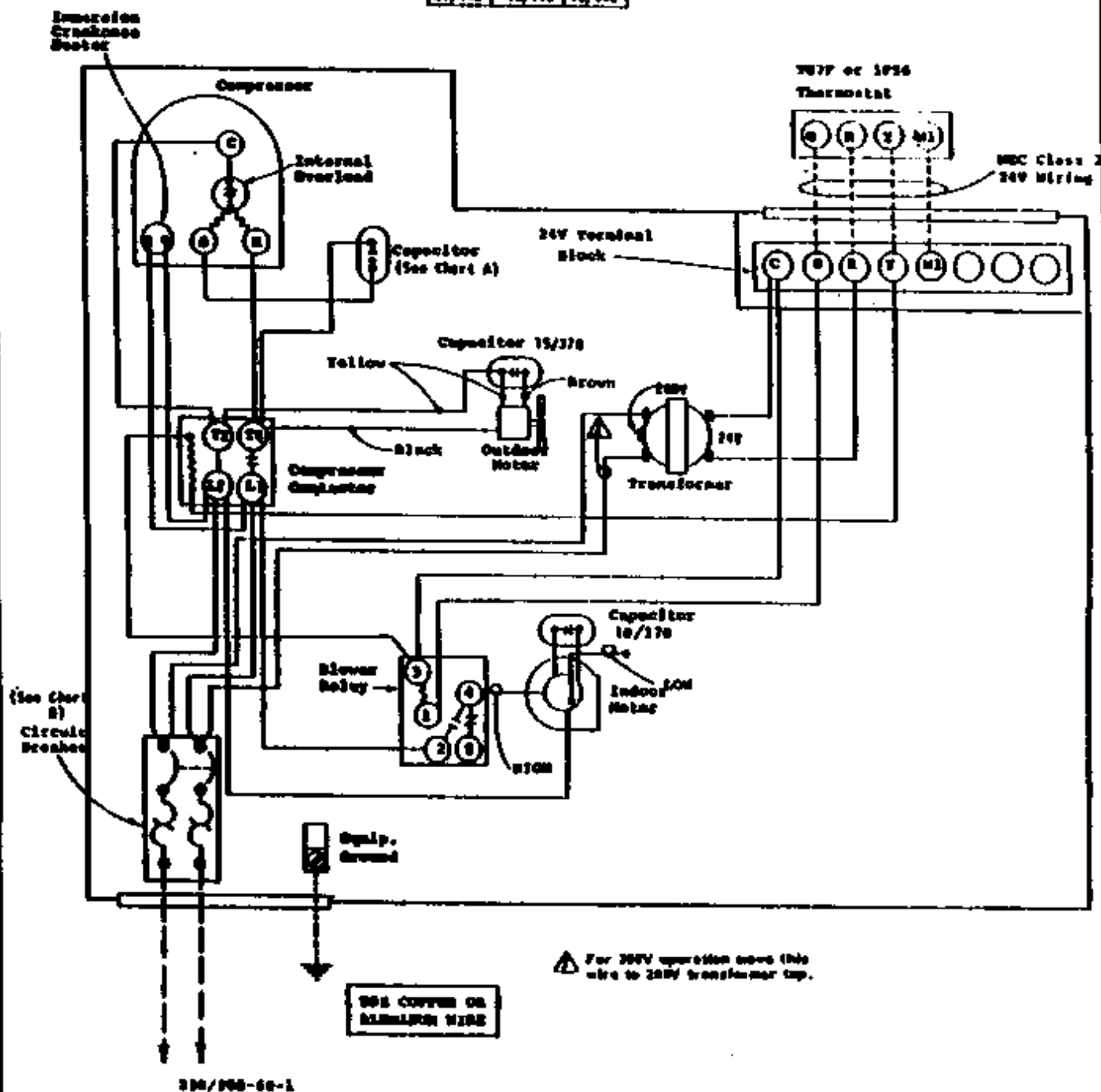
⚠ For 200V operation move this wire to 200V transformer tap.

MODEL
479A, 479B
6-26

Factory wiring ———
Field wiring - - - - -

4010-110 K

| Chart A | | |
|---------|--------|--------|
| 420A | 700A | 200A |
| 25/400 | 00/400 | 05/600 |



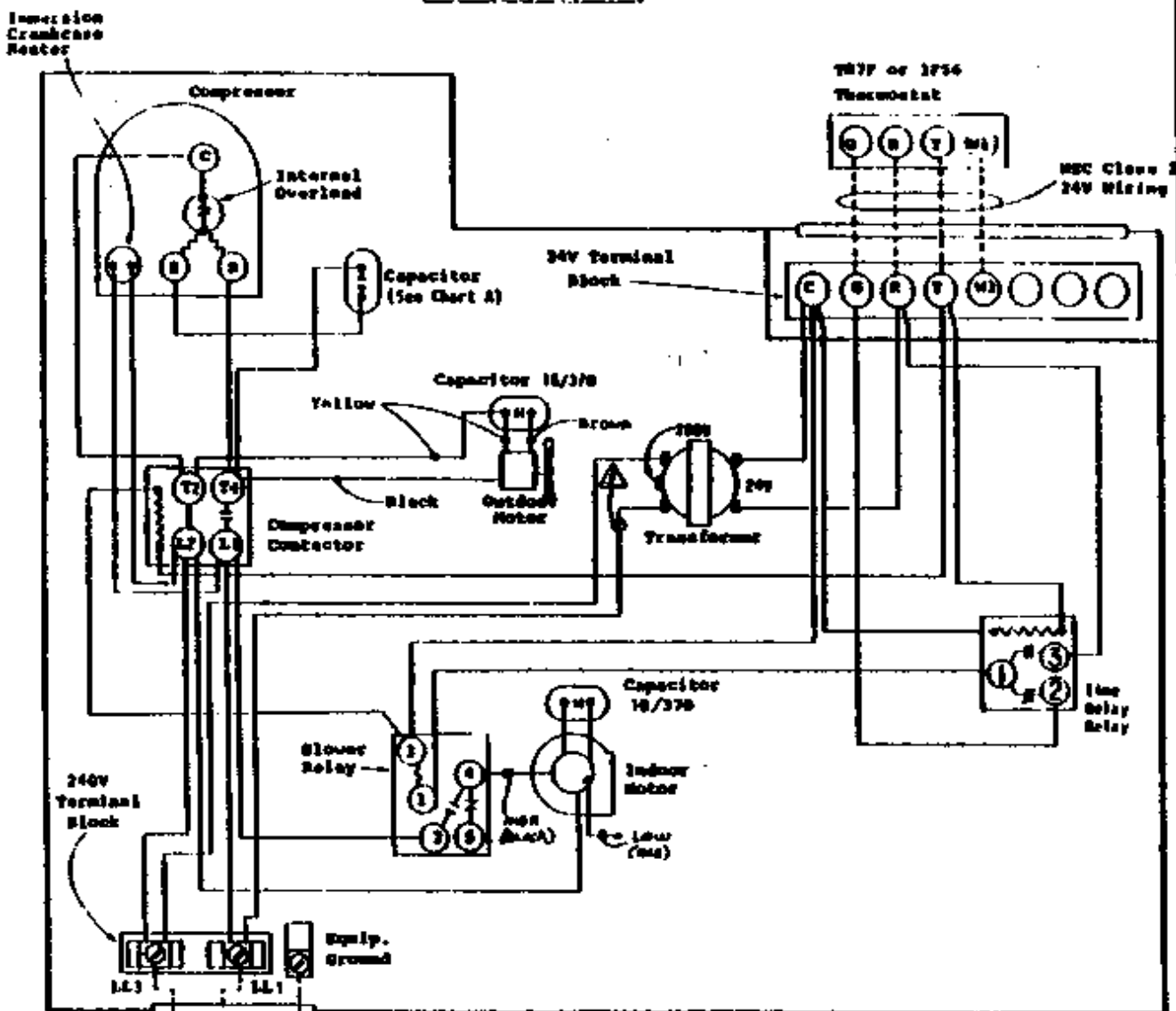
| Chart B | | |
|---------|------|------|
| 420A | 700A | 200A |
| 50A | 50A | 60A |

MODEL
4700, 4700A
600A

Factory wiring _____
Field wiring - - - - -

4010-111B

| CAPACITORS | | |
|------------|--------|--------|
| 42MA | 49MA | 60MA |
| 15/440 | 20/440 | 25/440 |



Fused Disconnect Switch

210/200-60-1

USE COPPER OR ALUMINUM WIRE

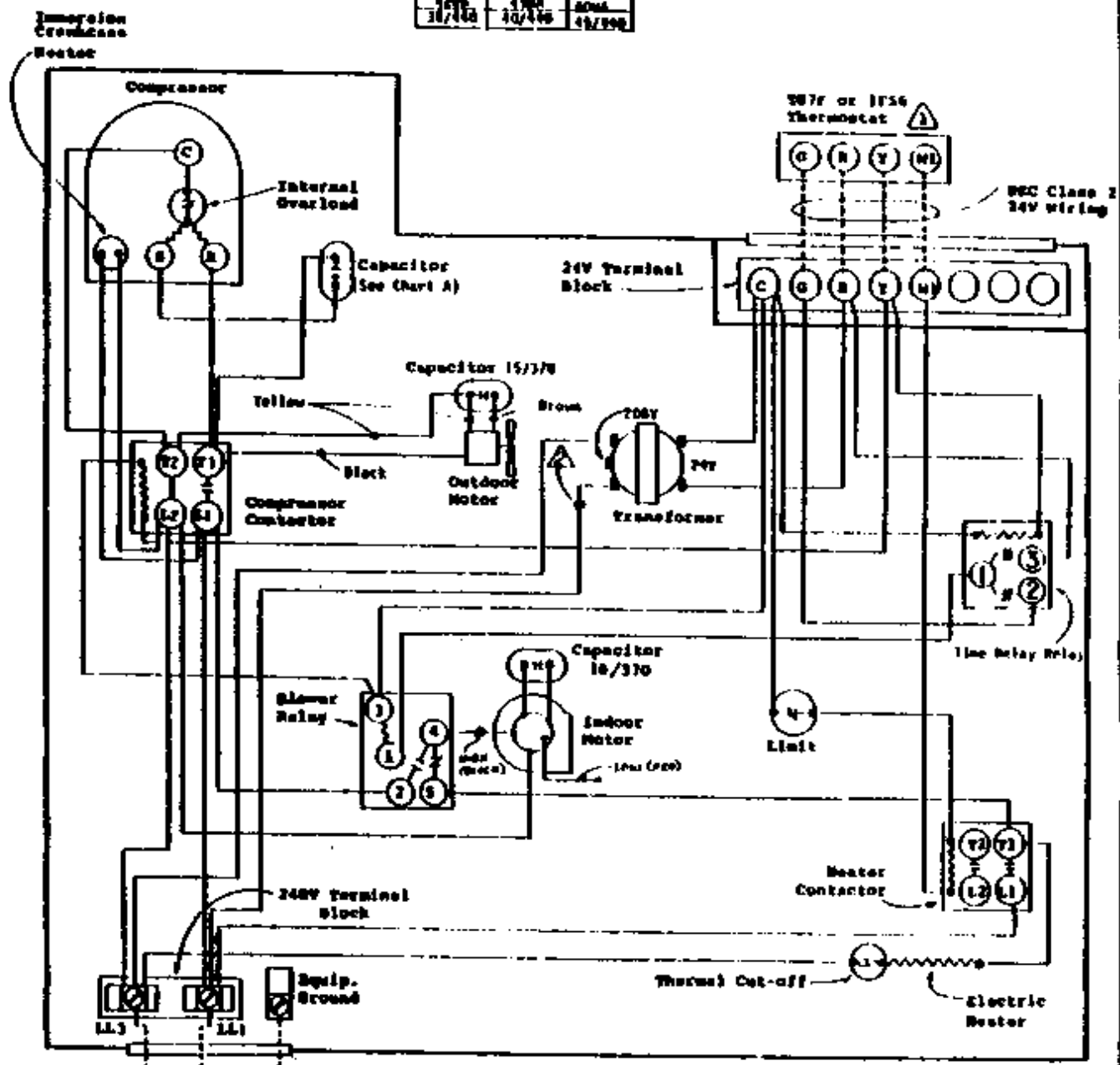
⚠ For 200V operation move this wire to 200V transformer tap.

MODEL
42MA, 49MA
60MA

Factory Wiring ———
Field Wiring - - - - -

4010-112 A

| OMBT A | | |
|---------|---------|--------|
| REV | DATE | APP'D |
| 10/1/68 | 10/1/68 | 48/898 |



Fused Disconnect Switch

710/200-60-1

USE COPPER OR ALUMINUM WIRE

- ⚠ Set heat anticipator at .10A.
- ⚠ For 200V operation move this wire to 100V transformer tap.

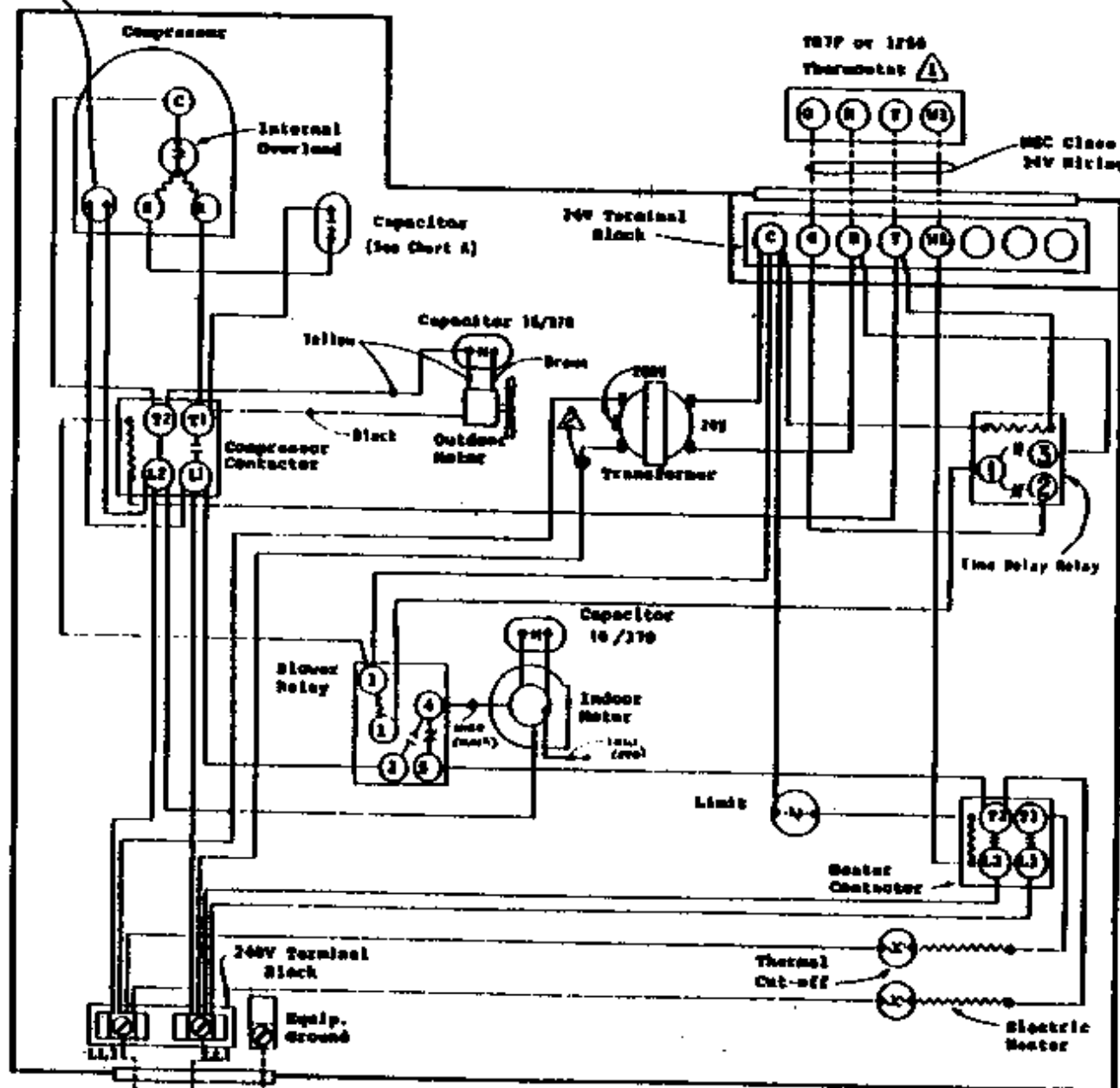
MODEL
471A, 471A 471A
w/210v

Factory Wiring ———
Field Wiring - - - - -

4010122A

| Chart A | | |
|---------|--------|--------|
| 470A | 470A | 600A |
| 31/400 | 40/400 | 40/400 |

Insulation
Crankcase
Heater



Fused
Disconnect
Switch

330/240-60-1

USE COPPER OR
ALUMINUM WIRE

⚠ Set heat anticipator at .40A.

⚠ For 200V operation use this
wire in 200V transformer tap.

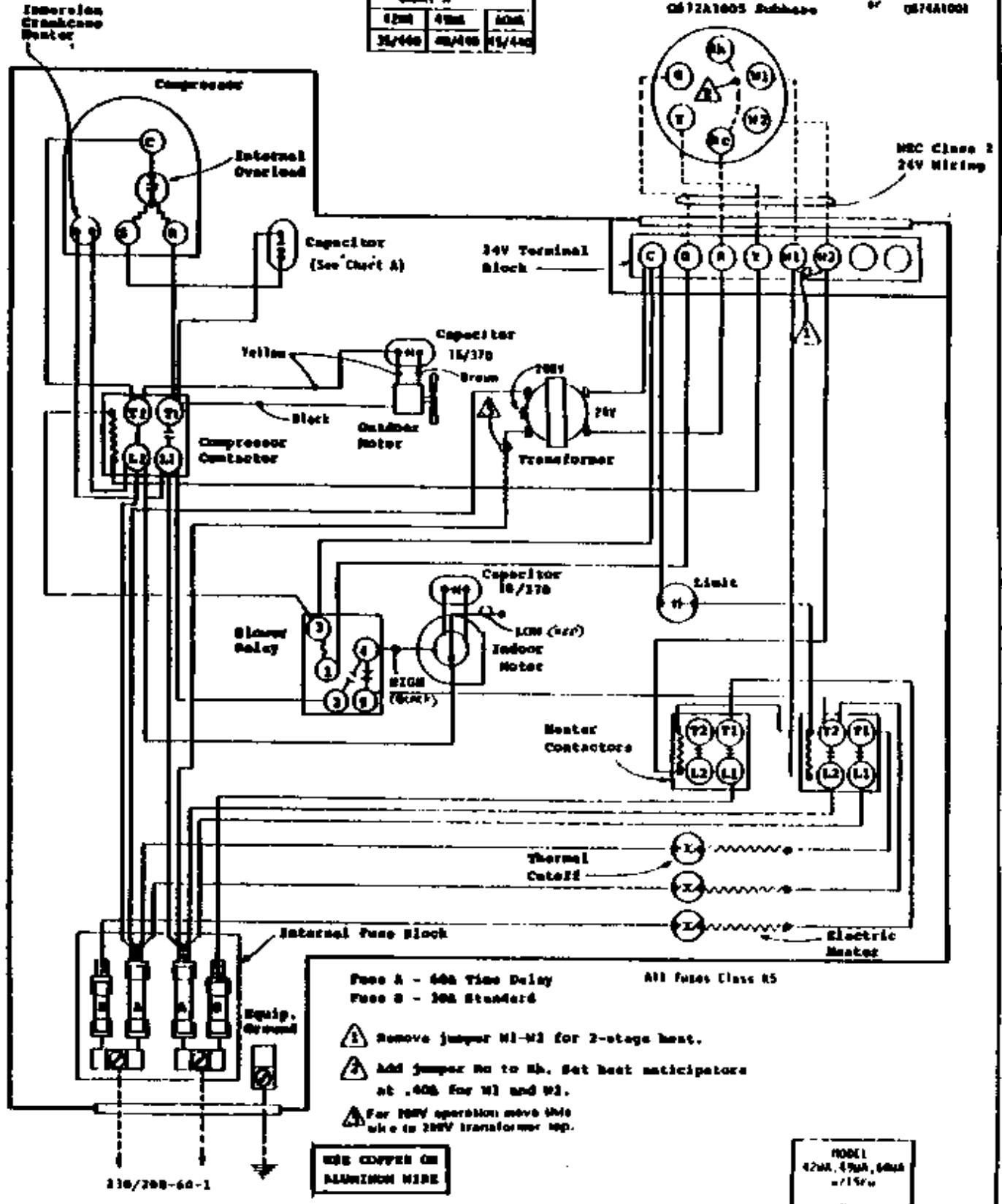
Factory Wiring ———
Field Wiring - - - - -

MODEL
470A, 490A, 600A
v/100v

4010-132A

| Chart A | | |
|---------|--------|--------|
| 120V | 240V | 480V |
| 25/400 | 25/400 | 45/440 |

TE72C1004 Thermostat or TE74C1000
 GE72A1005 Subbase or GE74A1001



Fuse A - 60A Time Delay
 Fuse B - 30A Standard
 All fuses Class K5

- ⚠ Remove jumper W1-W2 for 2-stage heat.
- ⚠ Add jumper W0 to Wb. Set heat anticipators at .40A for W1 and W2.
- ⚠ For 100V operation move this wire to 200V transformer tap.

USE COPPER OR ALUMINUM WIRE

MODEL
 420A, 430A, 600A
 = 150W

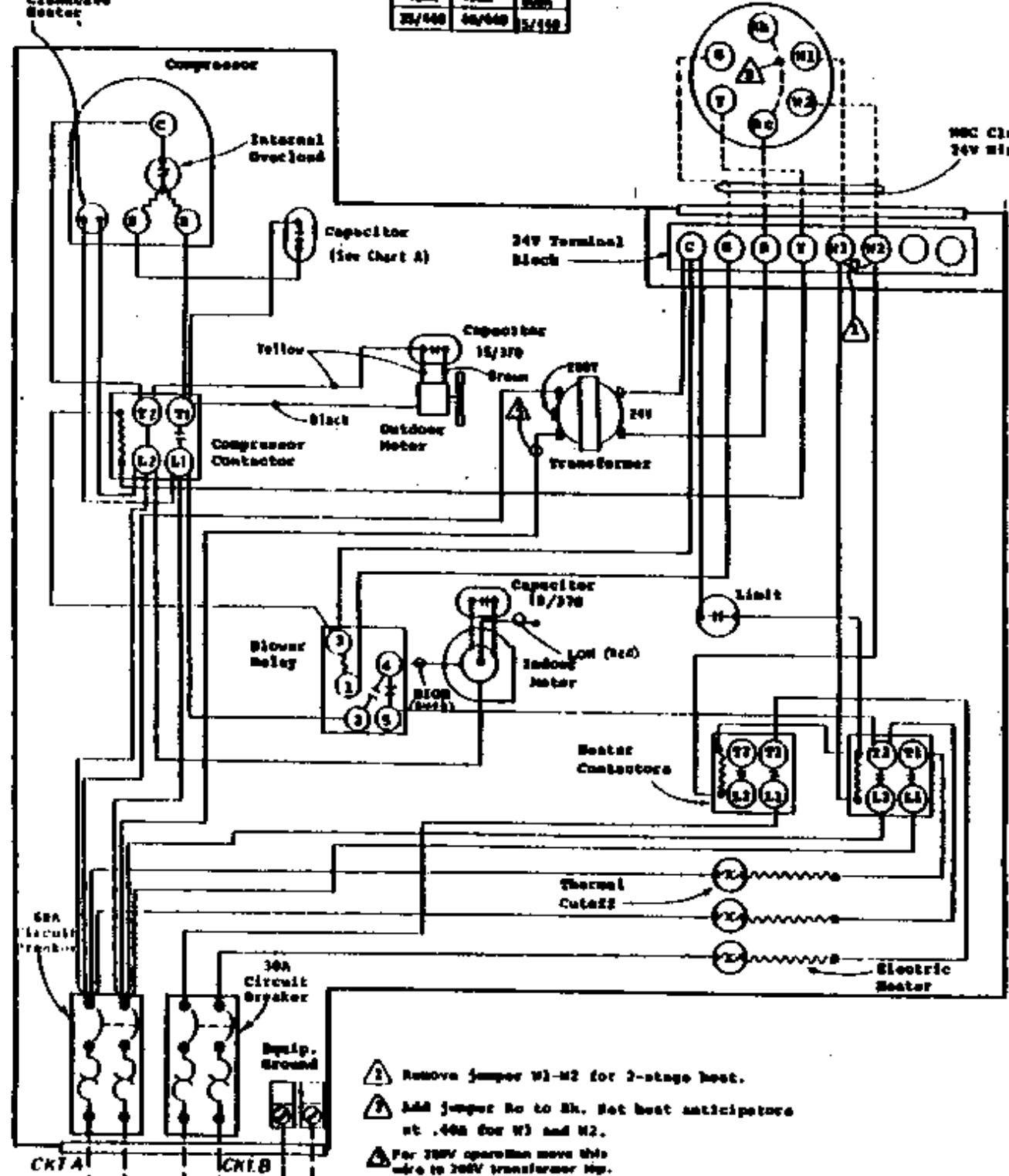
Factory Wiring _____
 Field Wiring - - - - -

4010+10 K

Immersion
Crankcase
Heater

| CHART A | | |
|---------|--------|--------|
| 42MA | 49MA | 60MA |
| 25/440 | 26/440 | 15/115 |

TS72C1004 Thermostat or 1874C1000
 0672A1005 Subbase or 0674A1001



NBC Class 2
24V Wiring

- ⚠ Remove jumper W1-W2 for 2-stage heat.
- ⚠ Add jumper R6 to Rk. Set heat anticipators at .40A for W1 and W2.
- ⚠ For 208V operation move this wire to 208V transformer tap.

USE COPPER OR ALUMINUM WIRE

Factory Wiring ———
 Field Wiring - - - - -

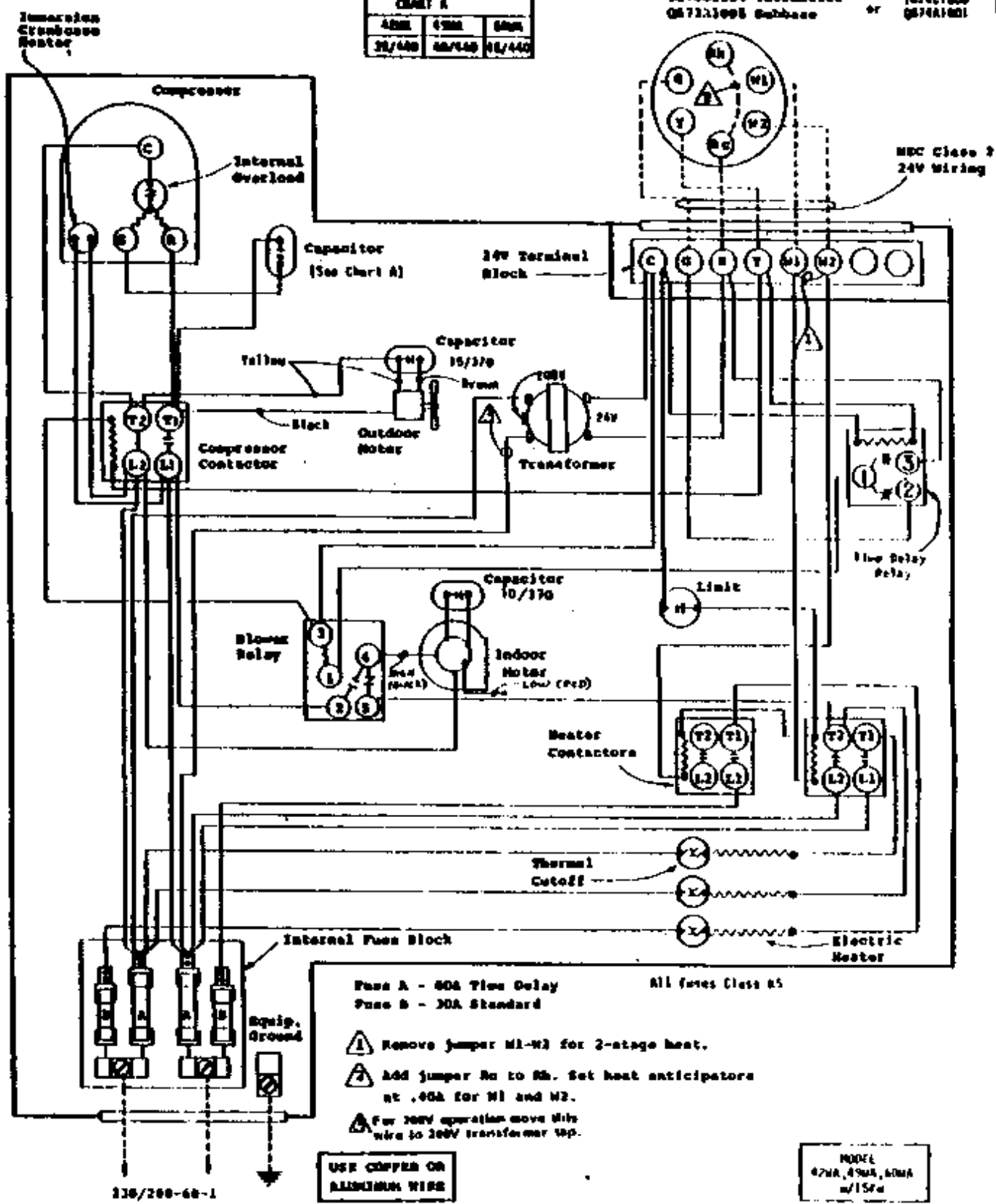
MODEL
 42MA, 49MA, 60MA
 w/150w

4010-141C

TE73C1004 Thermostat or 1074C1000
 Q87331005 Subbase or Q8741001

CHART A

| 400V | 450V | 500V |
|--------|--------|--------|
| 20/400 | 20/450 | 20/500 |



Fuse A - 80A Time Delay
 Fuse B - 30A Standard
 All fuses Class K5

- ⚠ Remove jumper M1-M2 for 2-stage heat.
- ⚠ Add jumper M0 to Mh. Set heat anticipators at .60A for M1 and M2.
- ⚠ For 200V operation move M1b wire to 200V transformer tap.

USE COPPER OR ALUMINUM WIRE

MODEL
 470A, 470A, 400A
 w/157d

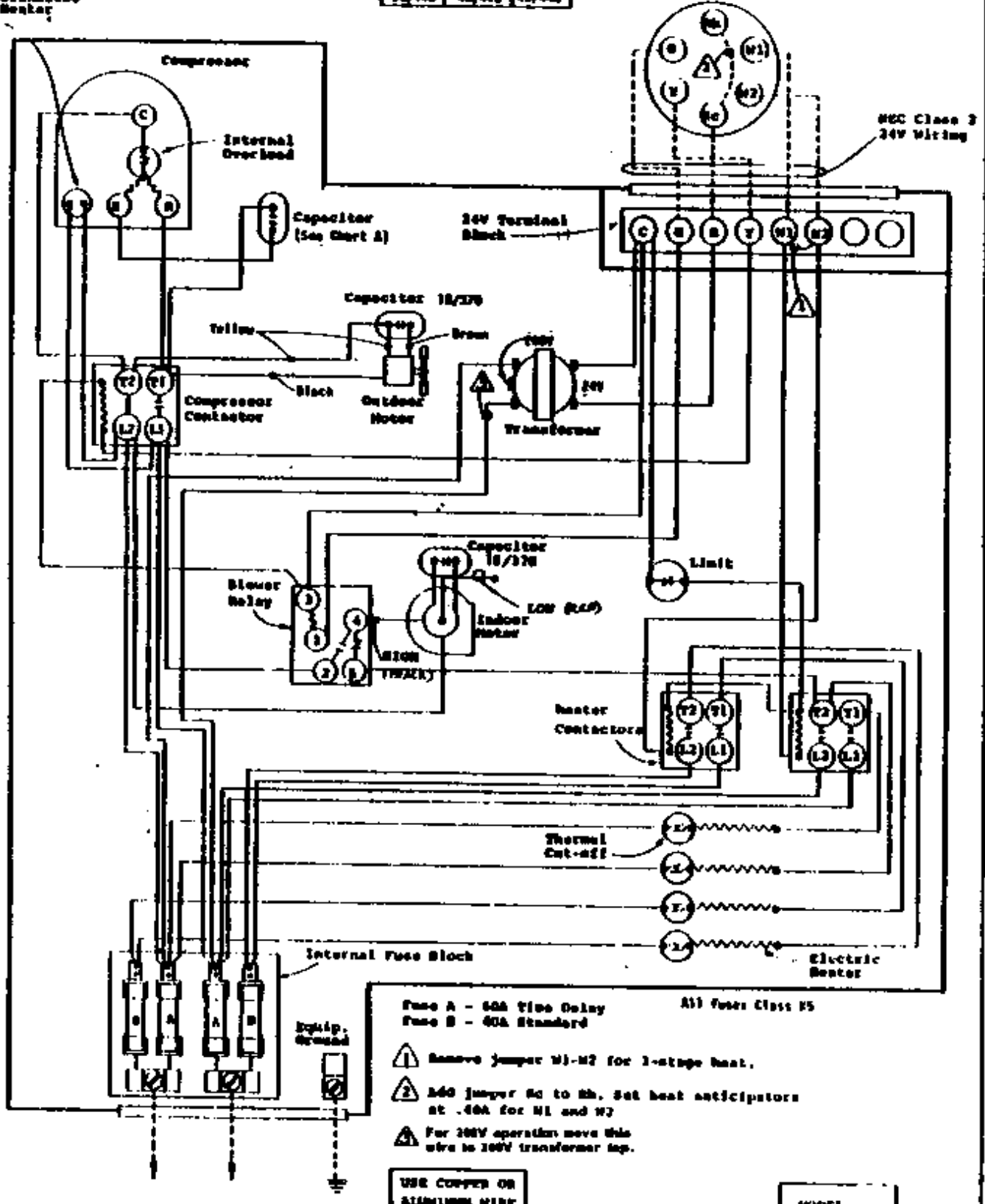
Factory Wiring _____
 Field Wiring - - - - -

14010-1427

Imaging Crane Case Heater

| Chart A | | |
|---------|--------|--------|
| 42A | 42B | 42C |
| 35/440 | 42/440 | 45/440 |

T813C1004 Thermostat or 1874C1009
 Q872A1005 Subbase or Q874A1004



Fuse A - 40A Time Delay
 Fuse B - 40A Standard
 All fuses Class K5

- ⚠ Remove jumper W1-W2 for 1-stage heat.
- ⚠ Add jumper Wc to Wb. Set heat anticipators at .40A for W1 and W2
- ⚠ For 200V operation move this wire to 200V transformer tap.

USE COPPER OR ALUMINUM WIRE

MODEL
 42A, 42B, 42C
 w/200v

218/208-68-3

Factory Wiring _____
 Field Wiring - - - - -

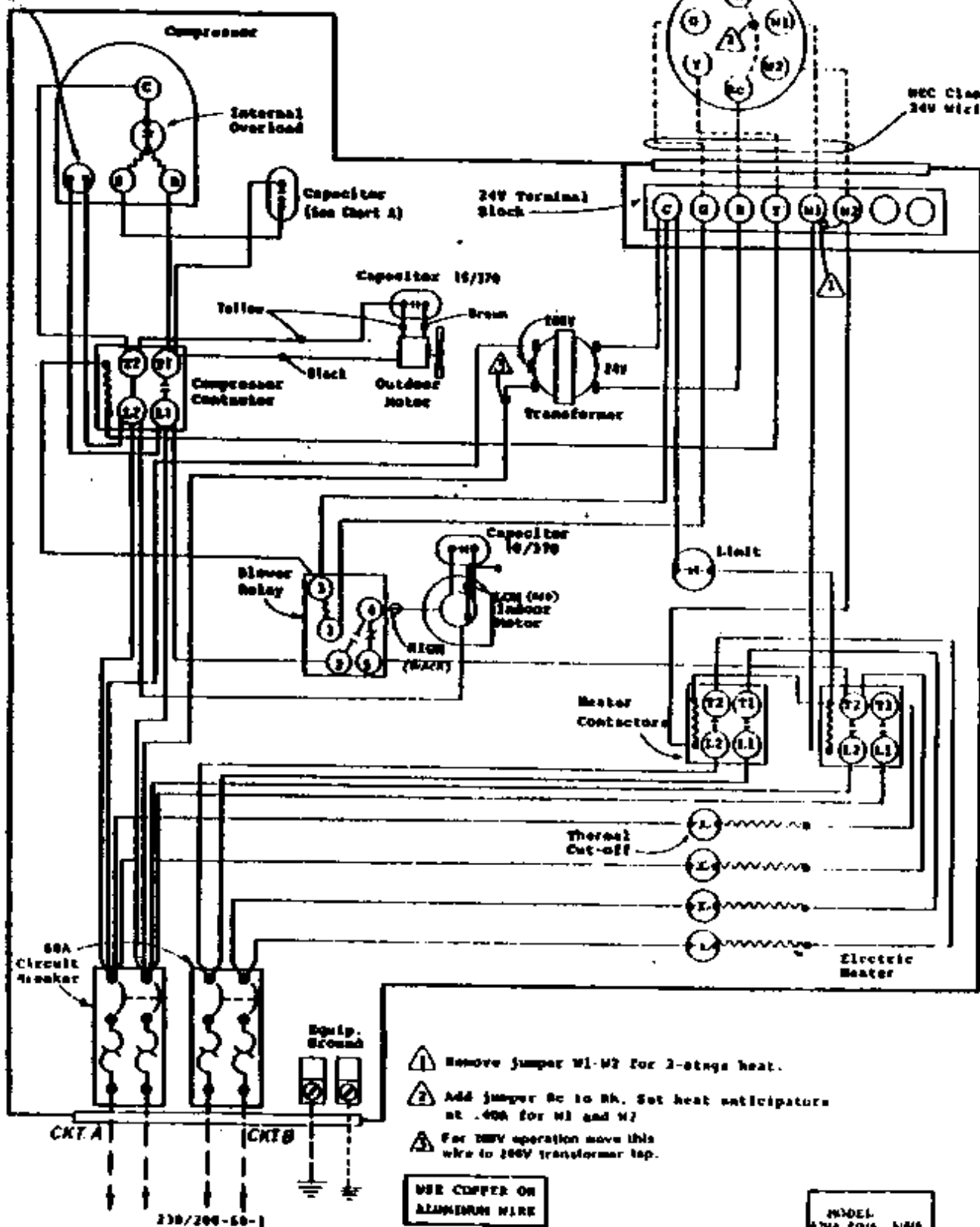
4010 150 AA

| CHART A | | |
|---------|--------|--------|
| 42MA | 48MA | 50MA |
| 35/440 | 40/500 | 45/440 |

9872C1004 Thermostat or 9874C1000
 9872A1005 Subbase or 9874A1001

Inversion
 Crankcase
 Heater

WCC Class 2
 24V Wiring



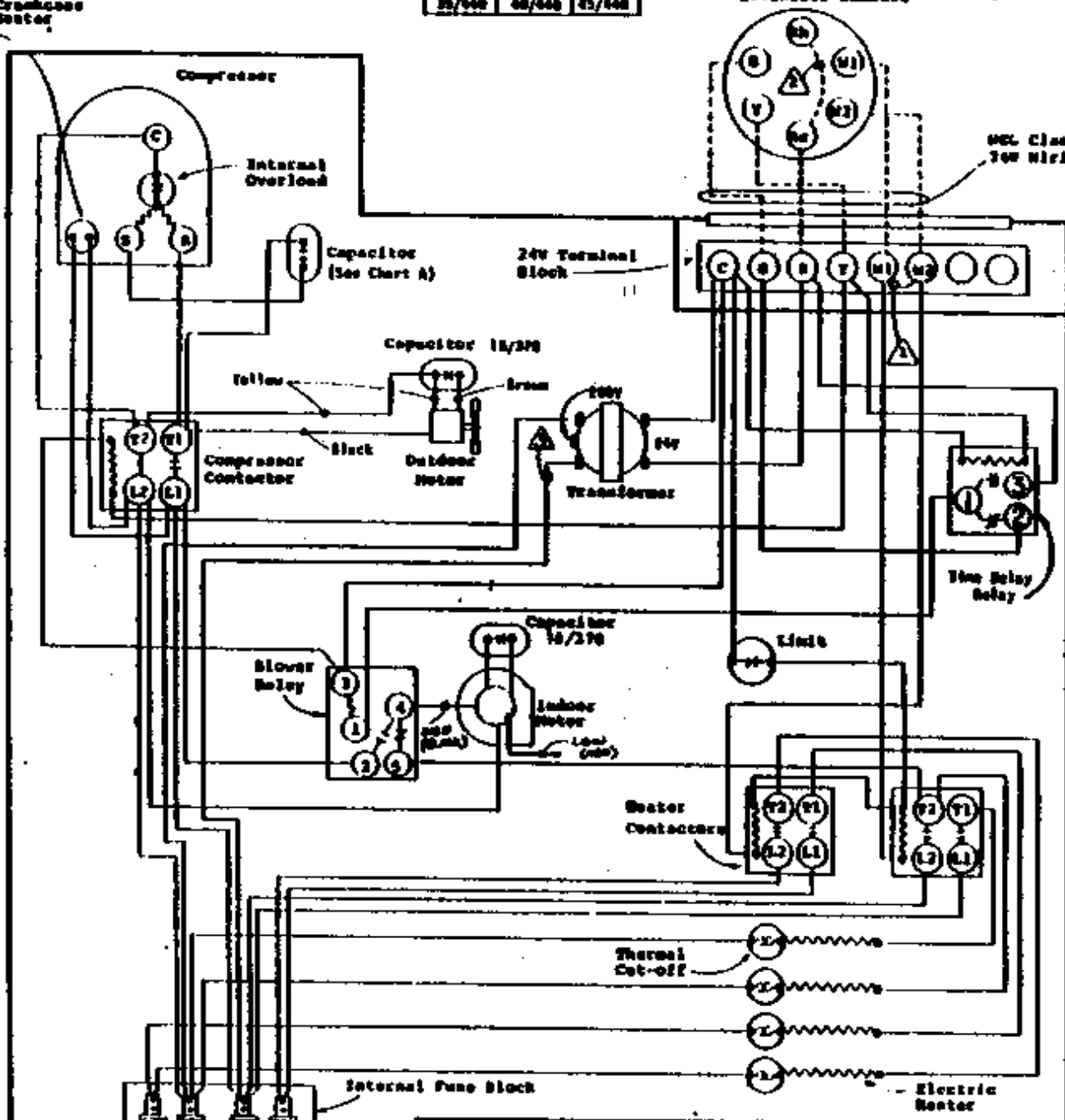
Factory Wiring ———
 Field Wiring - - - - -

74010151C

Imperial
Crankcase
Heater

| CHART A | | |
|---------|--------|--------|
| 4PM | 4SM | 5SM |
| 25/000 | 00/000 | 45/400 |

T873C1004 Thermostat or 1874C1000
0472A1003 Subbase or 0574A1001



- Fuse A - 60A Time Delay**
Fuse B - 40A Standard
- All fuses Class K5
- ⚠ Remove jumper W1-W2 for 2-stage heat.
 - ⚠ Add jumper Wc to Wb. Set heat anticipators at .40h for W1 and W2
 - ⚠ For 200V operation move this wire to 200V transformer tap.

USE COPPER OR ALUMINUM WIRE

MODEL
47MA, 47MB, 60MA
w/70%w

210/208-60-1

Factory Wiring ———
Field Wiring - - - - -

41010-E2 A