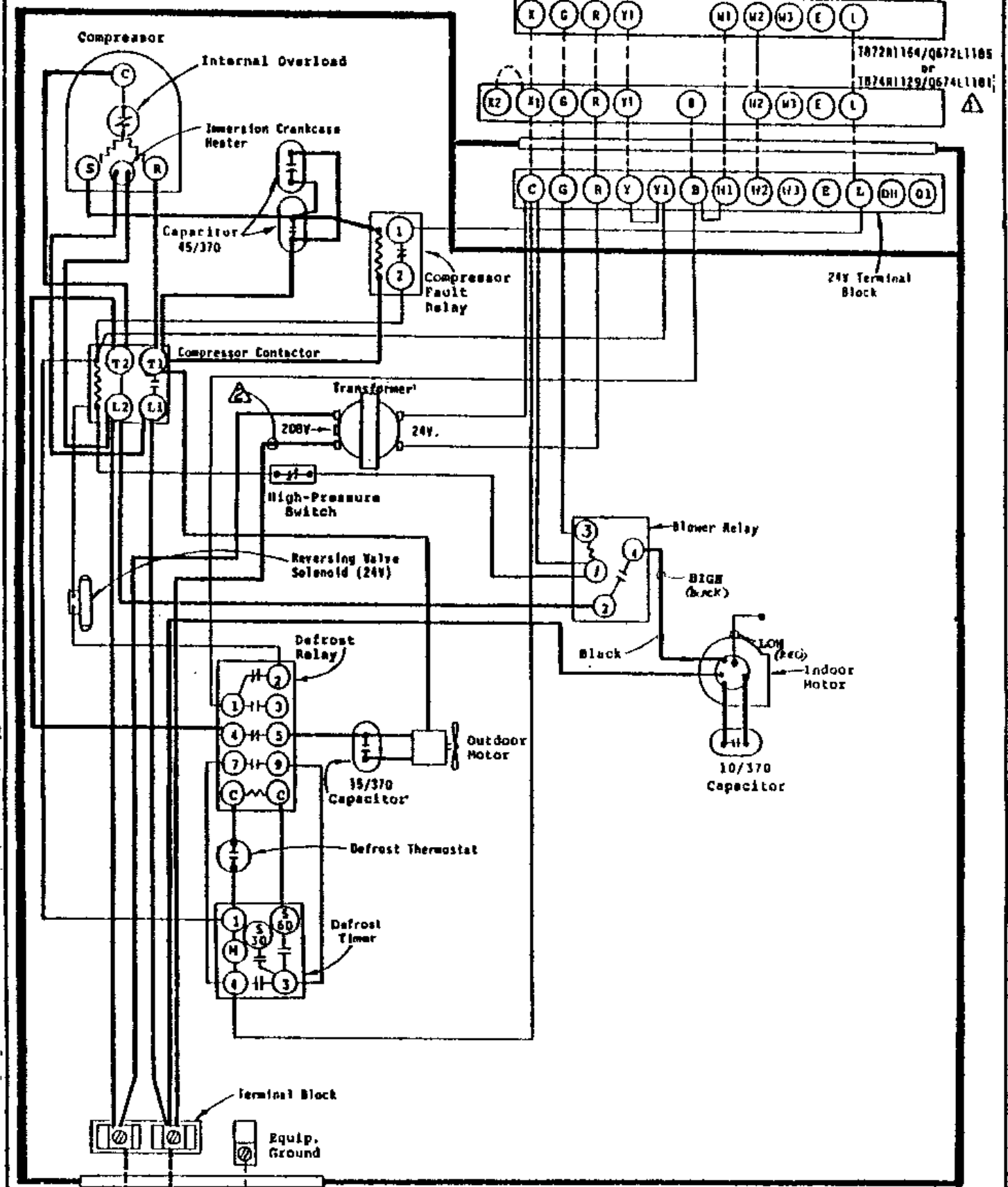


1872N1036/Q672F1299  
 OR  
 1874N1024/Q674F1261

1872N1164/Q672L1105  
 OR  
 1874N1129/Q674L1101



USE COPPER OR ALUMINUM WIRE

FACTORY WIRING	FIELD WIRING
Low Voltage ———	-----
High Voltage ———	-----

MODELS  
 50MM  
 HEAT PUMP  
 0 Kw

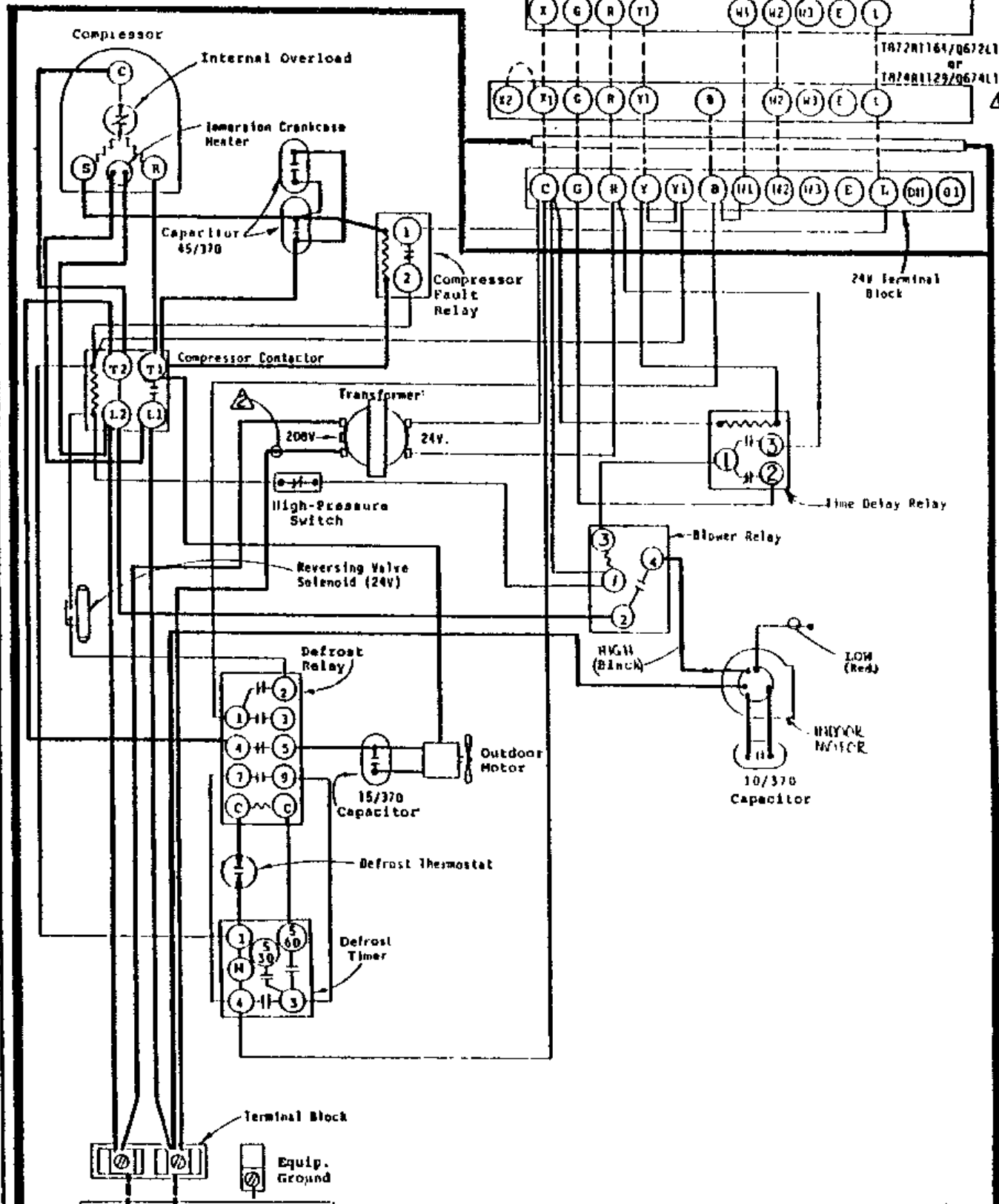
230/208-60-1

4078-110 B



1A77NI036/Q672F1299  
 OF  
 1A74NI024/Q674F1261

1A72NI164/Q672L1105  
 OF  
 1A74NI129/Q674L1101



⚠ If there is an X1 and X2 terminal on Q674L1101 jumper them together and connect from C to either one.  
 ⚠ For 208V operation move this wire to 208V transformer tap.

USE COPPER OR ALUMINUM WIRE

FACTORY WIRING	FIELD WIRING
Low Voltage	-----
High Voltage	—————

MODEL  
 61M1  
 11A1 PUMP  
 0 Kw

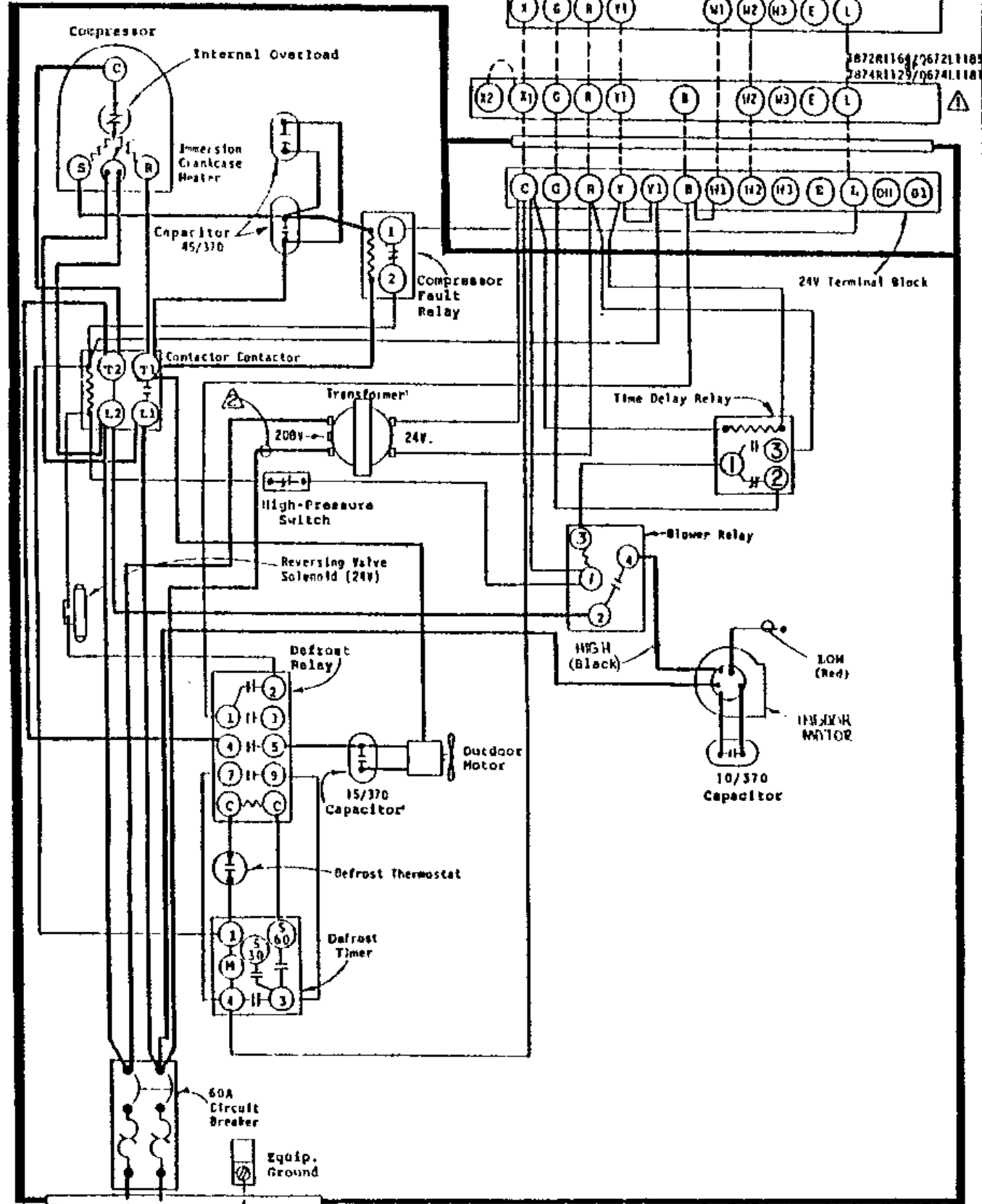
Fused Disconnect Switch

230/208-60-1

4078-112 A

TB72N1036/Q672F1204  
 or  
 TB74N1024/Q674F1260

TB72R1164/Q672L1185  
 TB74R1129/Q674L1181



⚠ If there is an X1 and X2 terminal on Q674L1181, jumper them together and connect from C to either one.  
 ⚠ For 208V operation move this wire to 208V transformer tap.

USE COPPER OR ALUMINIUM WIRE

	FACTORY WIRING	FIELD WIRING
Low Voltage	_____	-----
High Voltage	_____	-----

MODELS  
 604H  
 HEAT PUMP  
 0 Kw

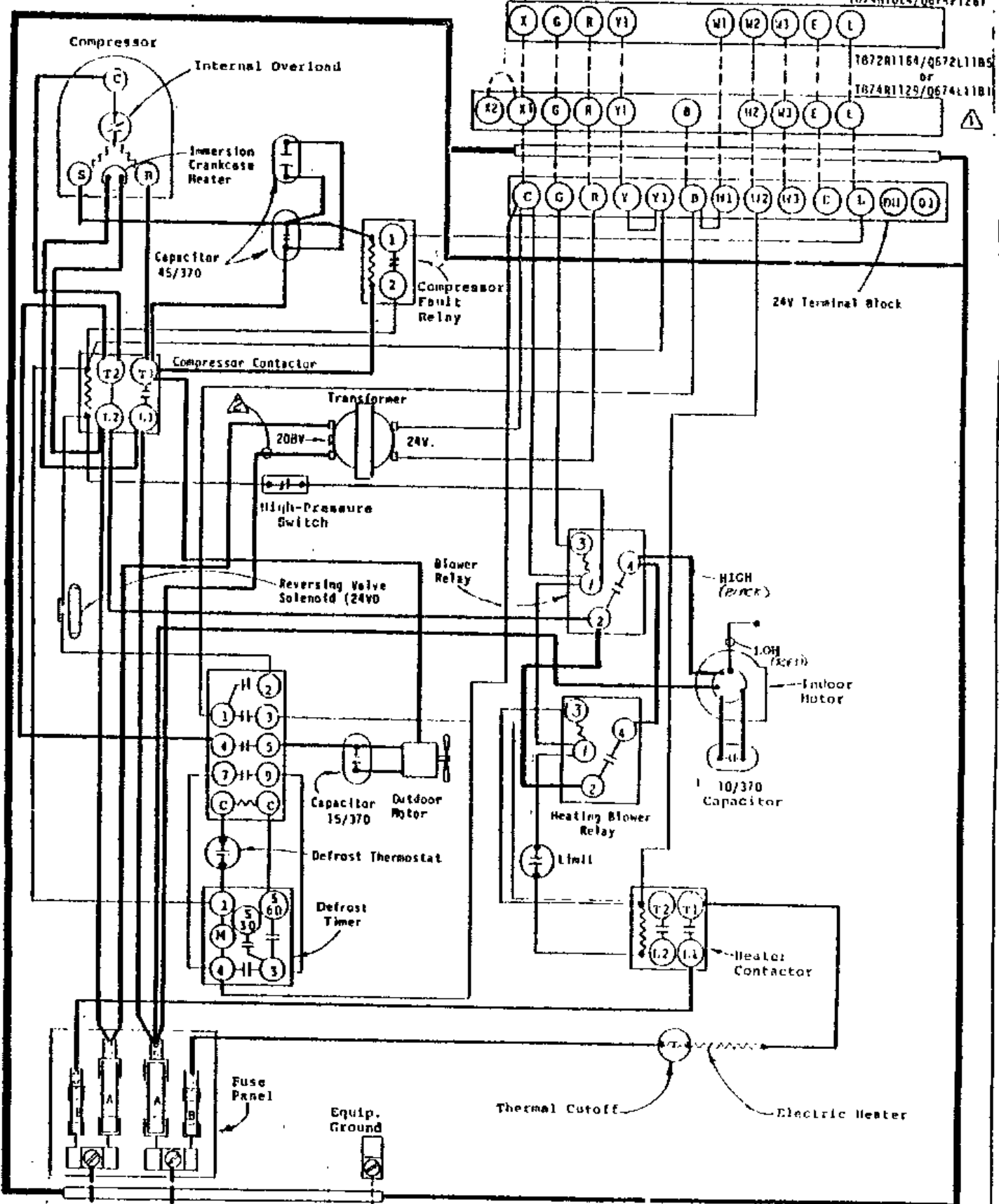
230/208-60-1

4078-113 A

⚠ If there is an X1 and X2 terminal on Q674L1181, Jumper them together and connect from C to either one.

⚠ For 208V operation move this wire to 208V transformer tap.

T872N1036/Q672F1299  
or  
T874N1024/Q674F1261



230/208-60-1  
Fuse A - 60A Time Delay  
Fuse B - 30A Standard  
All fuses Class K5

USE COPPER OR ALUMINUM WIRING

	FACTORY WIRING	FIELD WIRING
Low Voltage	—————	- - - - -
High Voltage	—————	- - - - -

MODEL  
60MH  
HEAT PUMP  
5 Kw

4078-120B

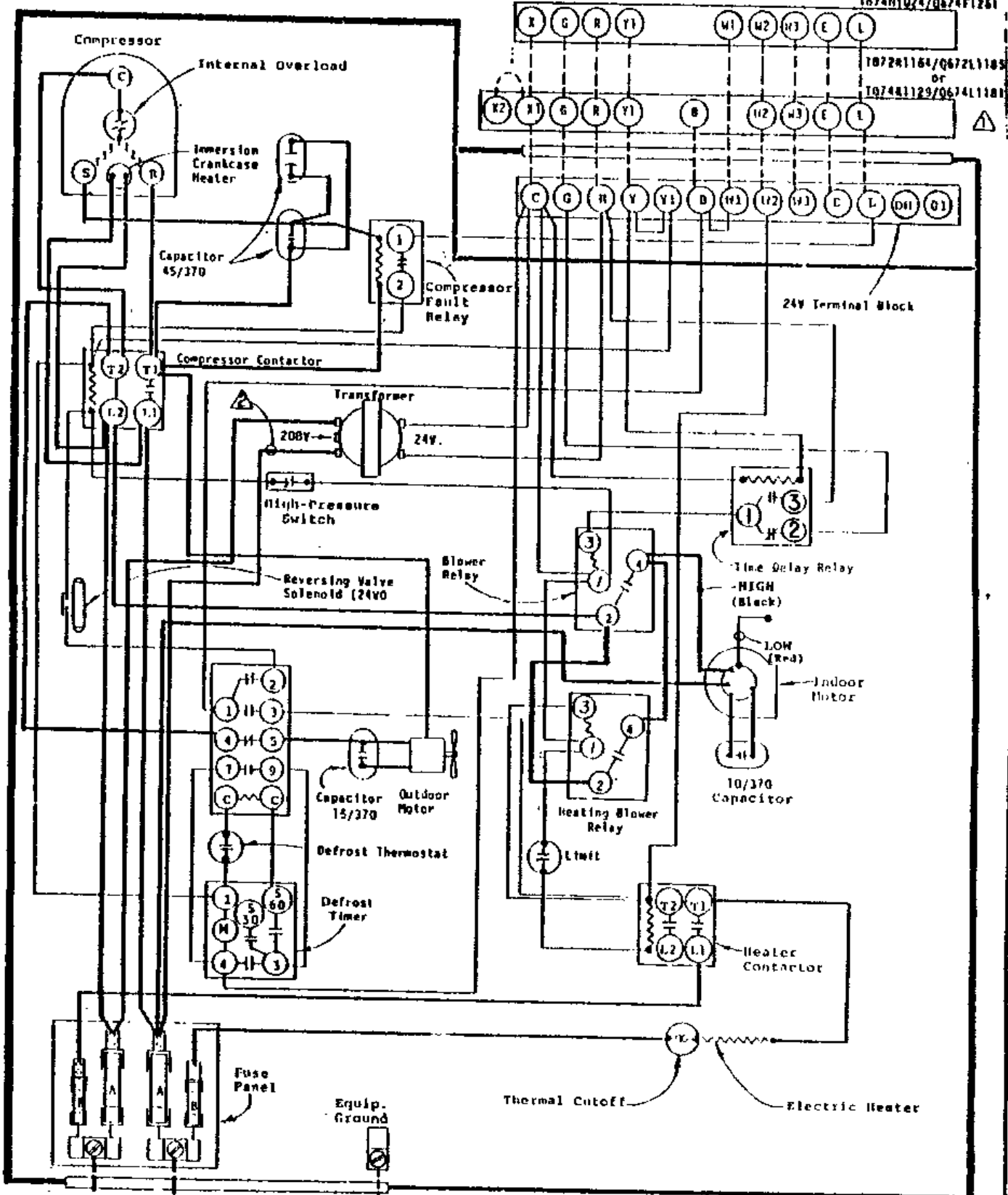


⚠ If there is an X1 and X2 terminal on Q674L1181, jumper them together and connect from C to either one.

⚠ For 208V operation move this wire to 208V transformer tap.

T872H1036/Q672F1299  
OR  
T874H1024/Q674F1261

T872H1164/Q672L1185  
OR  
T874H1129/Q674L1181



Fuse A - 60A Time Delay  
Fuse B - 30A Standard  
All fuses Class K5

250/208-60-1

USE COPPER OR ALUMINUM WIRE

	FACTORY WIRING	FIELD WIRING
low Voltage	—————	-----
high Voltage	—————	-----

MODEL  
604H  
HEAT PUMP  
5 Kw

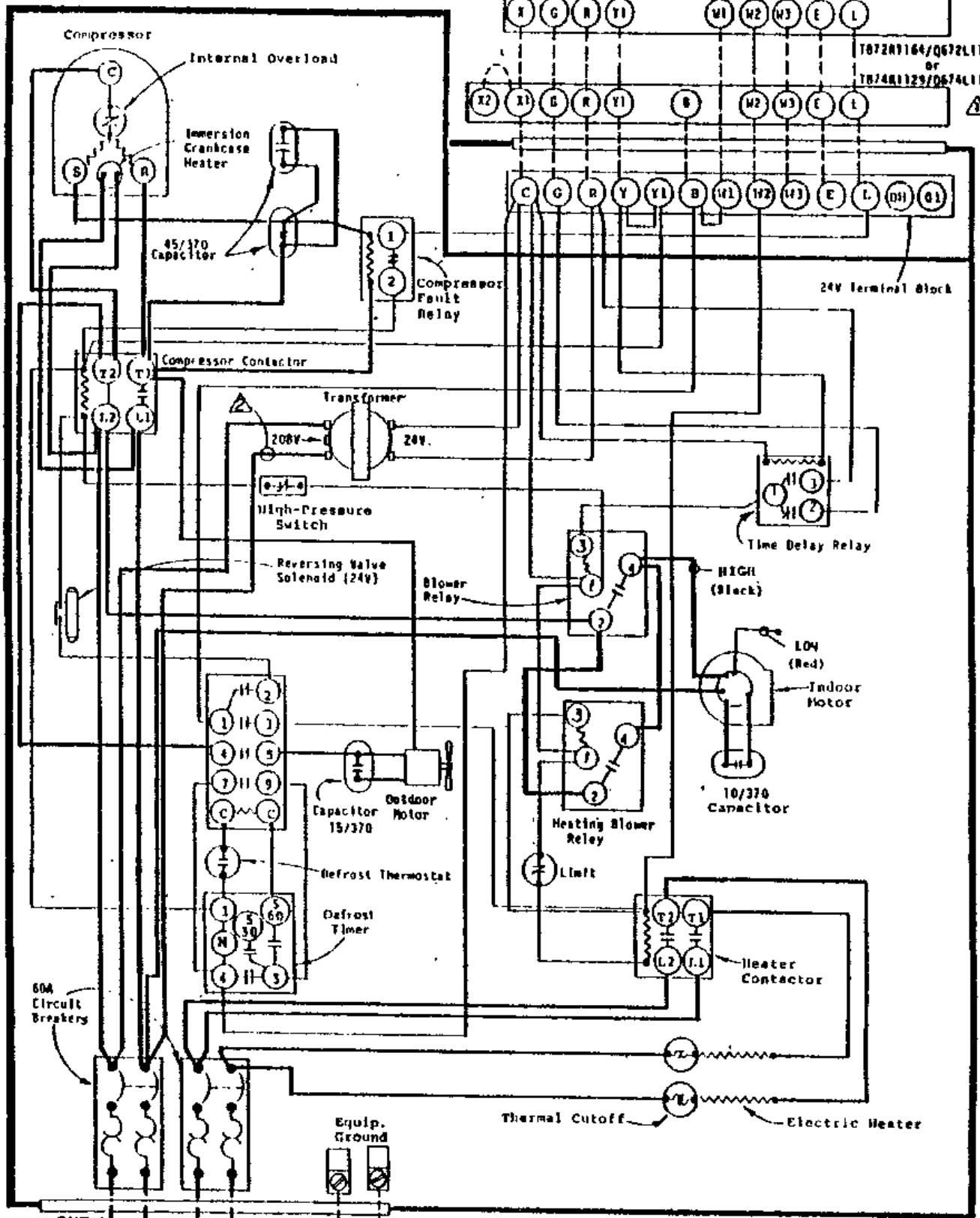
4078 122 A

⚠ If there is an X1 and X2 terminal on Q674L1101, jumper them together and connect from C to either one.

⚠ For 208V operation move this wire to 208V transformer tap.

T872H1036/Q672F1299  
OR  
T874H1026/Q674F1261

T872H1164/Q672L1105  
OR  
T874H1129/Q674L1101



230/208-60-1

USE COPPER OR ALUMINUM WIRE

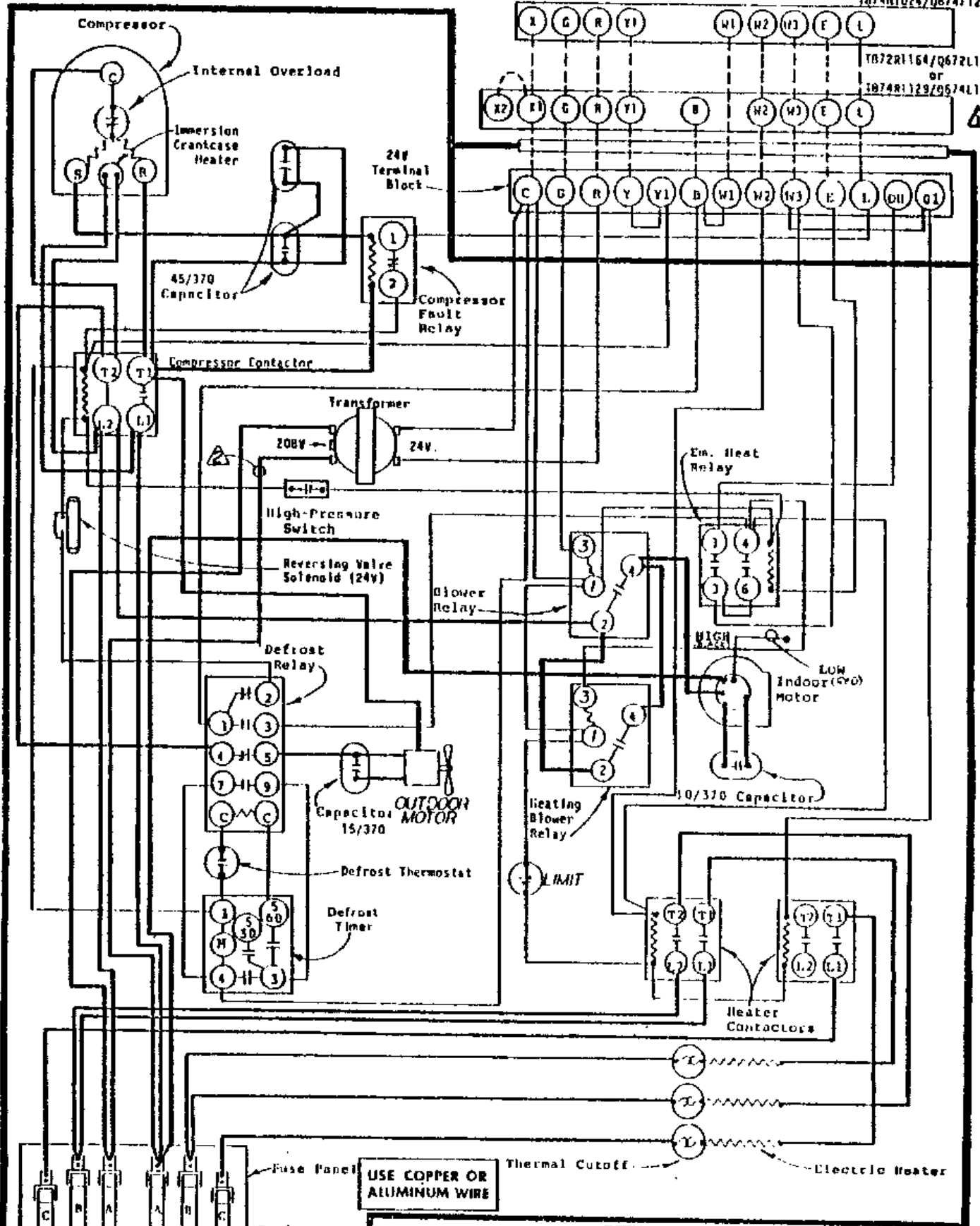
	FACTORY WIRING	FIELD WIRING
Low Voltage	—————	- - - - -
High Voltage	—————	· · · · ·

MODEL  
6MWH  
HEAT PUMP  
10 Kw

4078-133A

T872R1036/Q672F1299  
 OR  
 T874R1024/Q674F1261

T872R1164/Q672L1185  
 OR  
 T874R1129/Q674L1181



**USE COPPER OR ALUMINUM WIRE**

Fuse A - 60A Time Delay  
 Fuse B - 60A Standard  
 Fuse C - 30A Standard

	FACTORY WIRING	FIELD WIRING
Low Voltage	---	---
High Voltage	---	---

**MODEL  
 60WH  
 HEAT PUMP  
 15 Kw**

All fuses Class K5.

⚠ If there is an X1 and X2 terminal on Q674L1181, jumper them together and connect from C to either one.

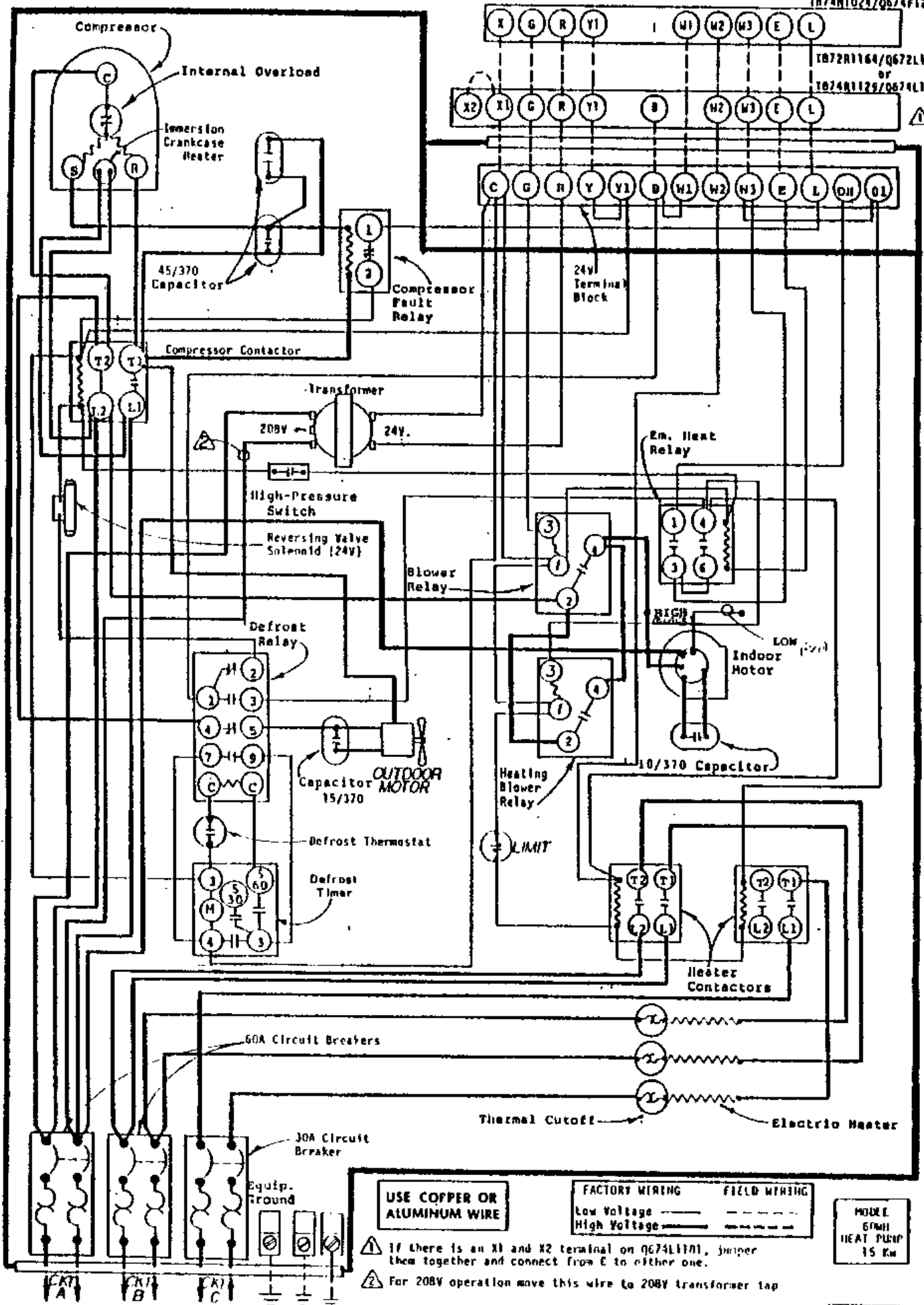
⚠ For 208V operation move this wire to 208V transformer tap.

230/208-60-1

4078-140B

T072H036/Q672F1299  
 or  
 T074H1024/Q674F1261

T072R1164/Q672L1105  
 or  
 T074R1129/Q674L1101



USE COPPER OR ALUMINUM WIRE

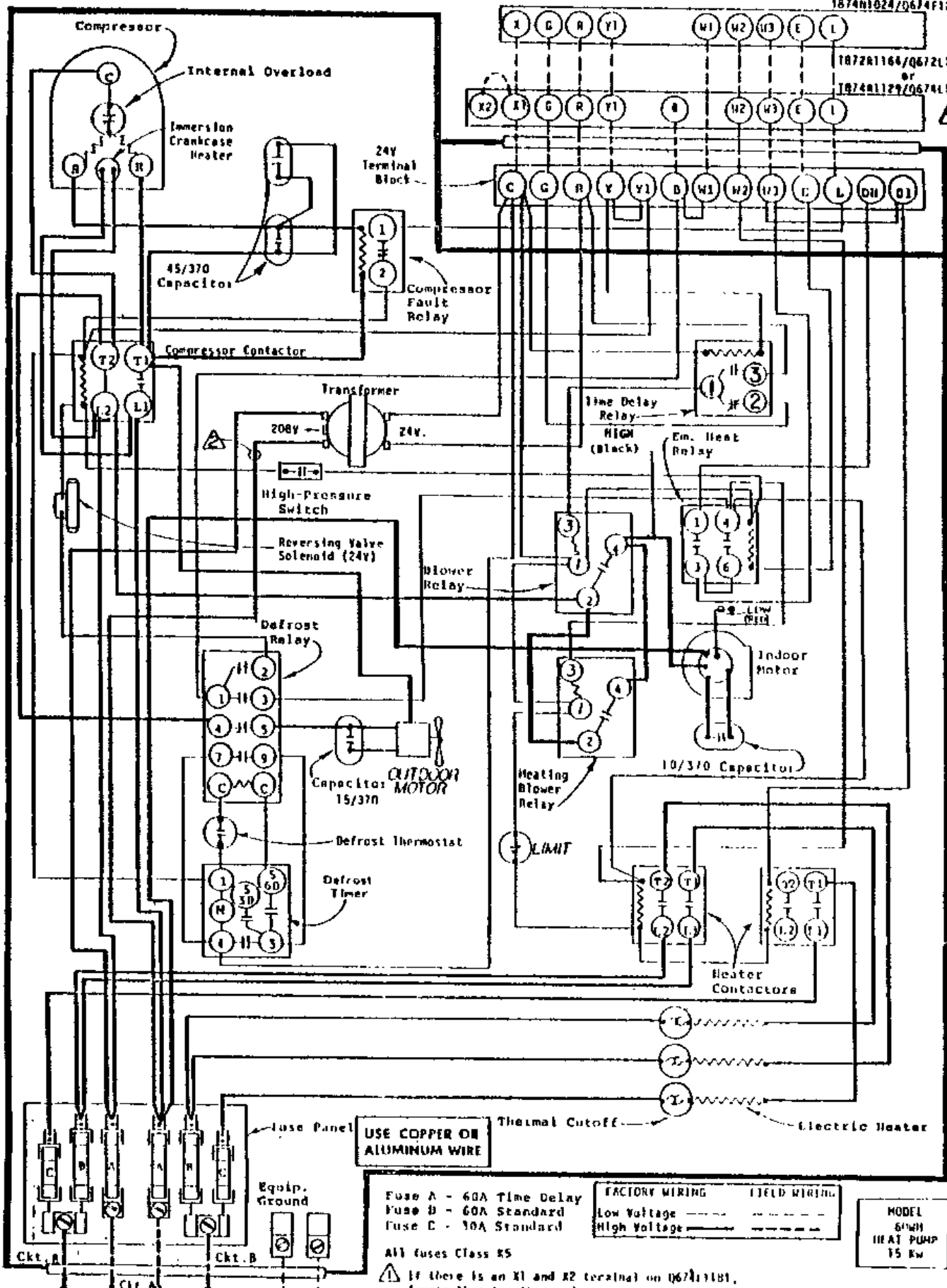
FACTORY WIRING	FIELD WIRING
Low Voltage	-----
High Voltage	-----

MODEL  
 67MH  
 HEAT PUMP  
 15 Kw

- ⚠ If there is an X1 and X2 terminal on Q674L1101, jumper them together and connect from E to either one.
- ⚠ For 208V operation move this wire to 208V transformer tap

1872N1036/Q672F1299  
OR  
1874N1024/Q674F1261

1872R1166/Q672L1185  
OR  
1874R1129/Q674L1181



**USE COPPER OR ALUMINUM WIRE**

Fuse A - 60A Time Delay  
Fuse B - 60A Standard  
Fuse C - 30A Standard

FACTORY WIRING	FIELD WIRING
Low Voltage	-----
High Voltage	-----

MODEL  
60W  
HEAT PUMP  
15 Kw

All fuses Class KS

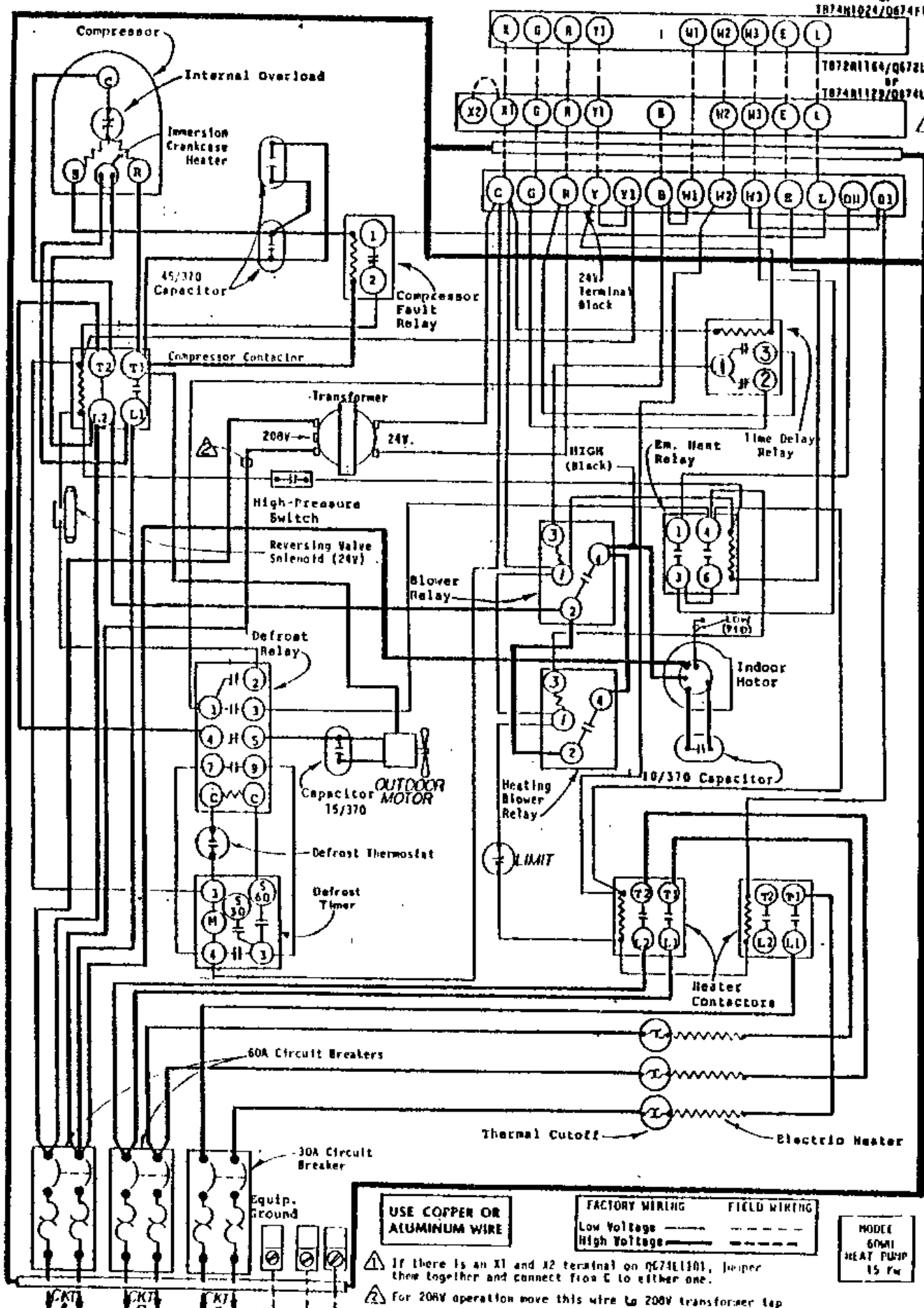
⚠ If there is an X1 and X2 terminal on 06741181, jumper them together and connect from C to either one  
⚠ For 208V operation move this wire to 200V transformer tap

230/208-60-1

4078-142 A

107241036/Q672F1299  
 or  
 107241024/Q674F1261

107241164/Q672L1085  
 or  
 107241122/Q674L1161



**USE COPPER OR ALUMINUM WIRE**

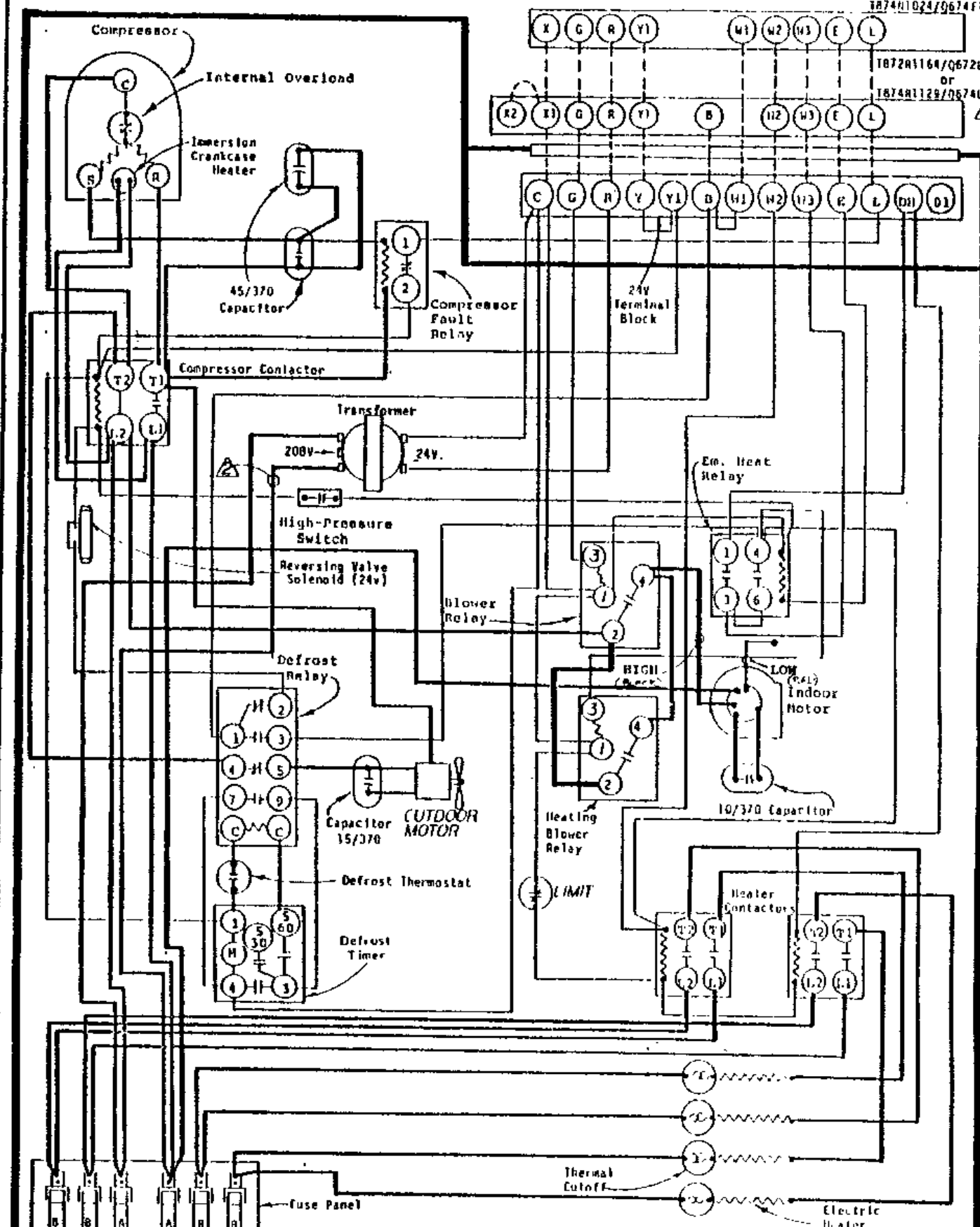
FACTORY WIRING	FIELD WIRING
Low Voltage	-----
High Voltage	-----

MODEL  
 60W1  
 HEAT PUMP  
 15 Pw

⚠ If there is an X1 and X2 terminal on Q674L1301, jumper these together and connect from C to either one.  
 ⚠ For 208V operation move this wire to 208V transformer tap

1A72H1016/G672E1295  
 or  
 1B74H1024/G674F1261

1B72A1164/G672E1105  
 or  
 1B74H1129/G674L1101



Fuse A - 60A Time Delay  
 Fuse B - 60A Standard  
 All fuses class K5.

FACTORY WIRING	FIELD WIRING
Low Voltage - - - - -	Low Voltage - - - - -
High Voltage - - - - -	High Voltage - - - - -

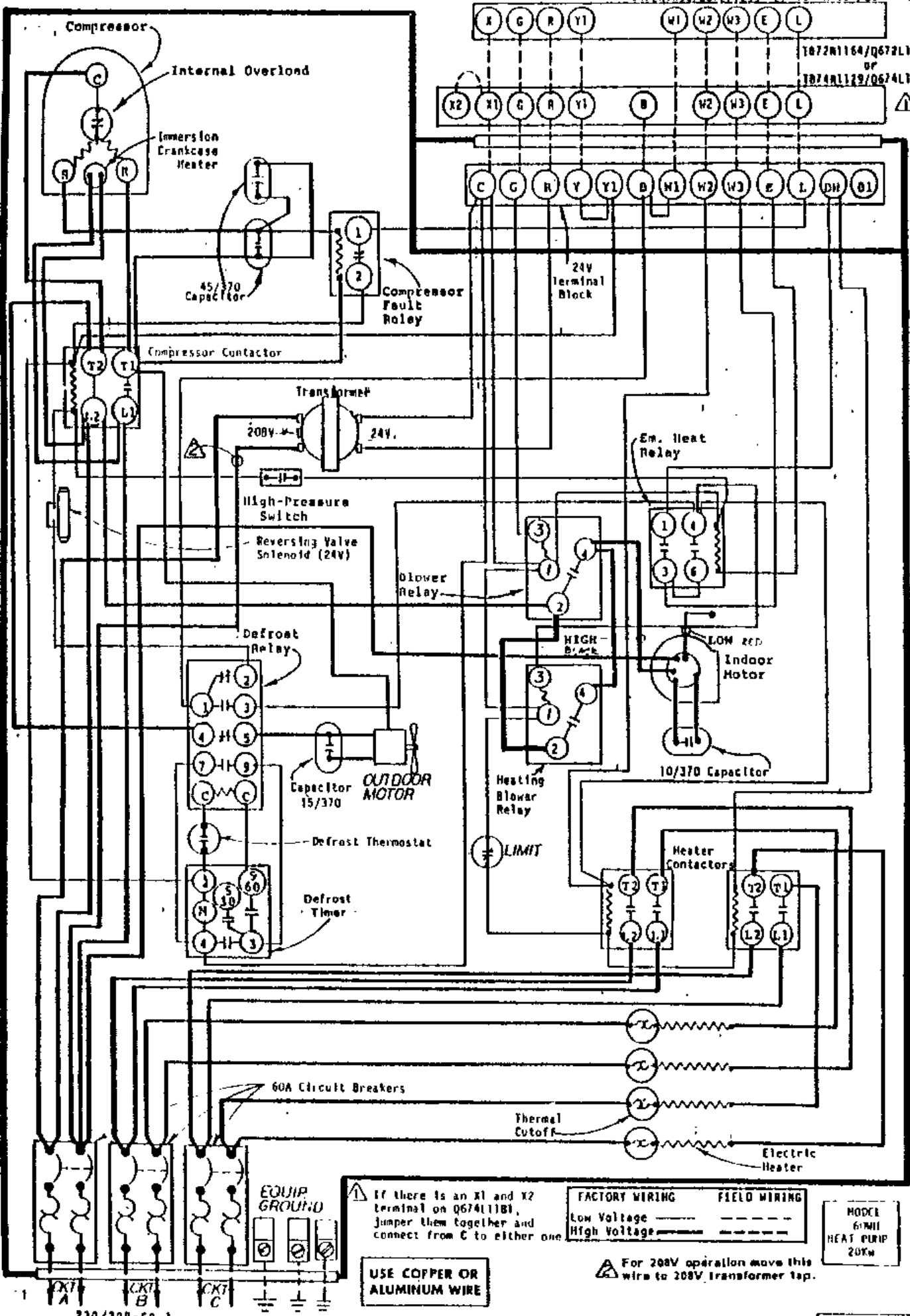
MODEL  
 60WH  
 HEAT PUMP  
 20 Pw

⚠ If there is an X1 and X2 terminal ⚠ for 208V operation move this wire to 208V transformer tap and connect from C to either one

**USE COPPER OR ALUMINUM WIRE**

4078-150B

230/208-60-1



⚠ If there is an X1 and X2 terminal on 0674L1181, jumper them together and connect from C to either one.

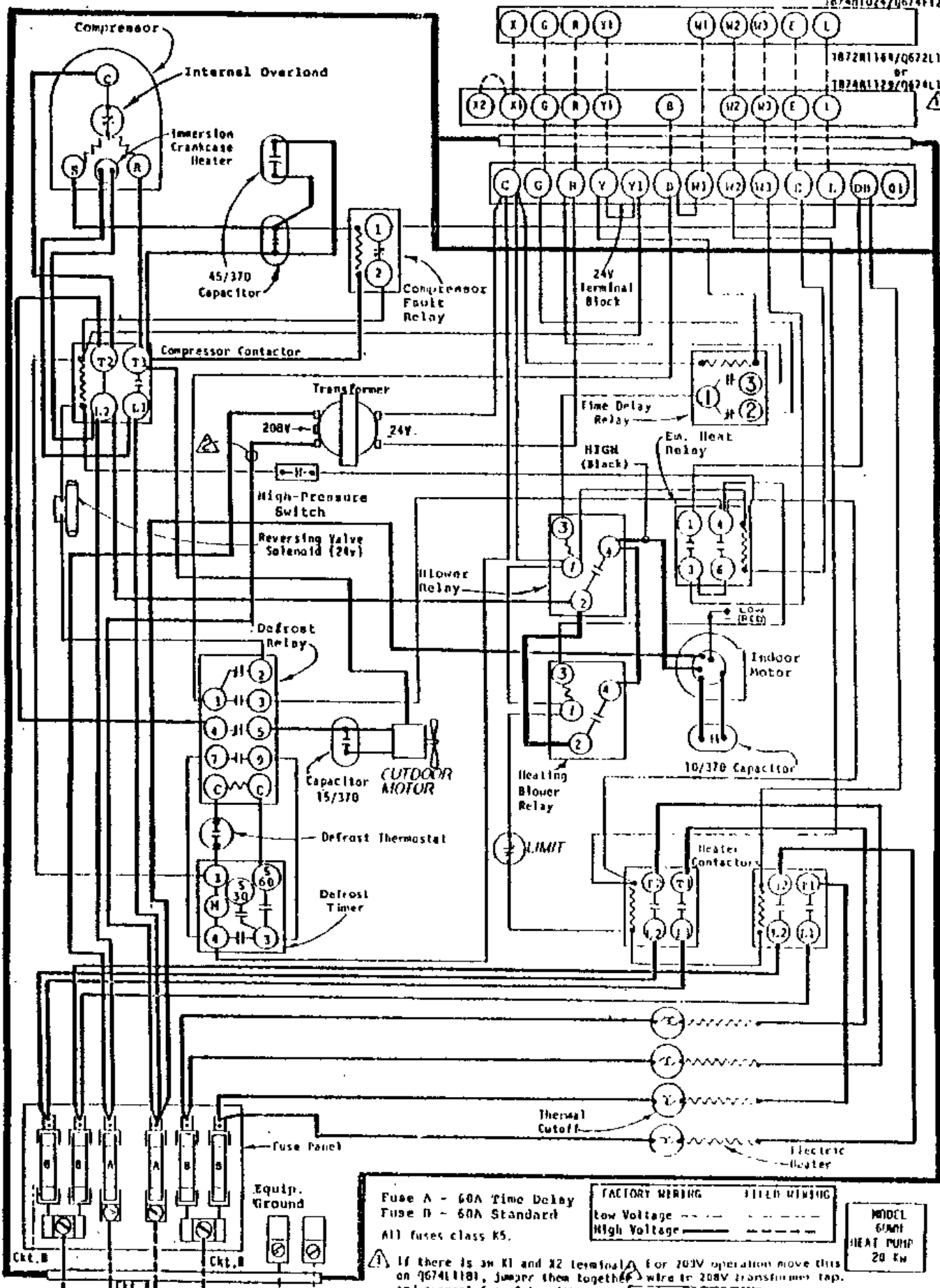
	FACTORY WIRING	FIELD WIRING
Low Voltage	—————	-----
High Voltage	—————	-----

MODEL  
61WH  
HEAT PUMP  
208v

**USE COPPER OR ALUMINUM WIRE**

⚠ For 208V operation move this wire to 208V transformer tap.

1B72N1036/Q872/1299  
 or  
 1B74N1024/D674F1261  
 1B72N1169/Q672L1105  
 or  
 1B74N1122/Q674L1101



Fuse A - 60A Time Delay  
 Fuse B - 60A Standard  
 All fuses class K5.

FACTORY WIRING  
 Low Voltage - - - - -  
 High Voltage - - - - -

MODEL  
 6000  
 HEAT PUMP  
 20 Kw

⚠ If there is an X1 and X2 terminal for 203V operation move this on 9674L1101, jumper them together, wire to 208V transformer tap, and connect from C to either one.

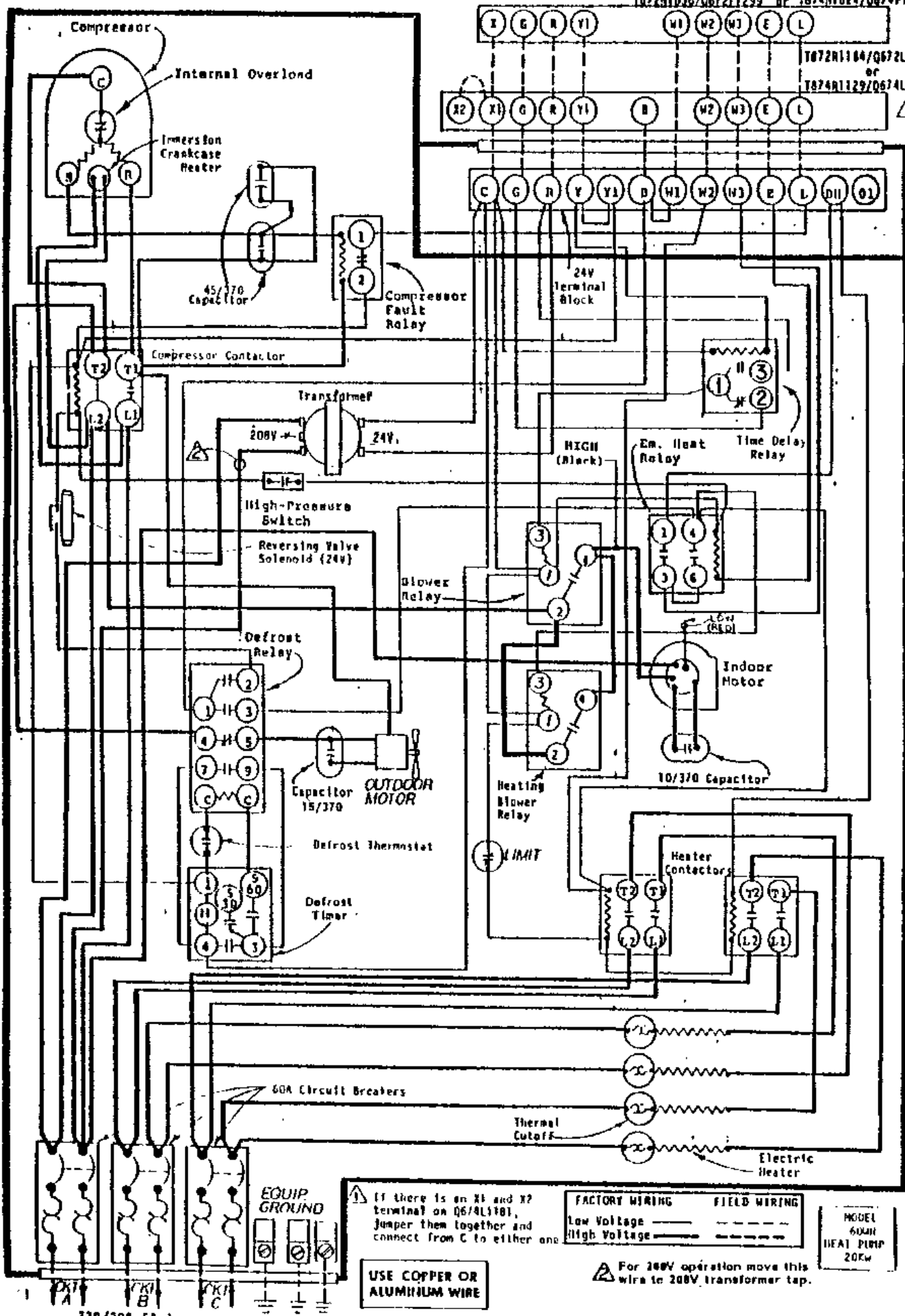
USE COPPER OR ALUMINIUM WIRE

4078-152A

230/208-60-1

TB72N1106/Q672L1299 or TB74N1024/Q674F1261

TB72N1104/Q672L1185  
or  
TB74N1129/Q674L1181



⚠ If there is an X1 and X2 terminal on Q6/4L1181, jumper them together and connect from C to either one.

	FACTORY WIRING	FIELD WIRING
Low Voltage	—————	-----
High Voltage	—————	-----

MODEL  
604H  
HEAT PUMP  
20KW

USE COPPER OR ALUMINUM WIRE

⚠ For 208V operation move this wire to 208V transformer tap.

238/208-60-1

4078-153A