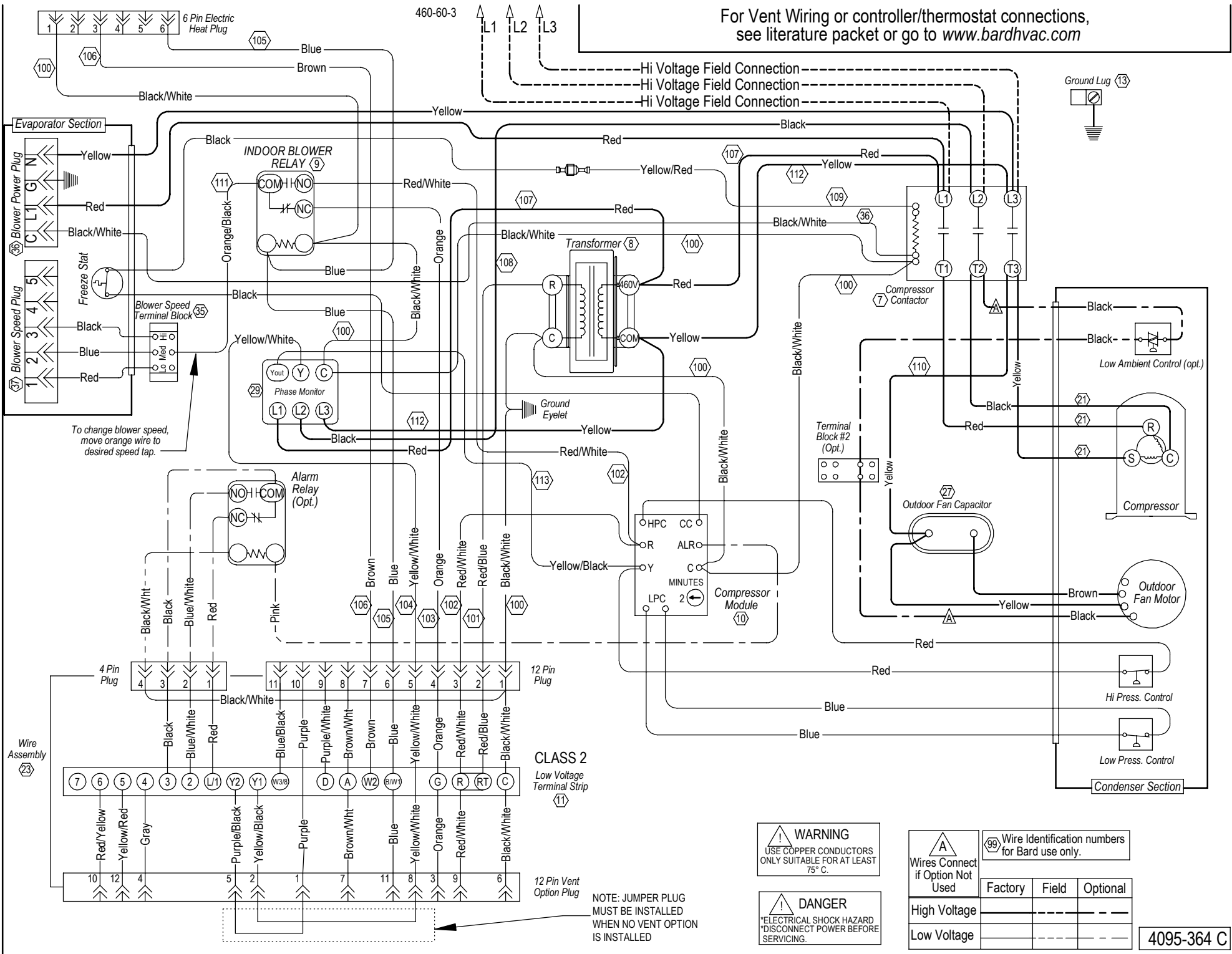


For Vent Wiring or controller/thermostat connections, see literature packet or go to [www.bardhvac.com](http://www.bardhvac.com)



To change blower speed, move orange wire to desired speed tap.

NOTE: JUMPER PLUG MUST BE INSTALLED WHEN NO VENT OPTION IS INSTALLED

**WARNING**  
USE COPPER CONDUCTORS ONLY SUITABLE FOR AT LEAST 75° C.

**DANGER**  
ELECTRICAL SHOCK HAZARD DISCONNECT POWER BEFORE SERVICING.

**A**  
Wires Connect if Option Not Used

High Voltage	---	---	---
Low Voltage	---	---	---

99 Wire Identification numbers for Bard use only.

	Factory	Field	Optional
High Voltage	---	---	---
Low Voltage	---	---	---

4095-364 C